

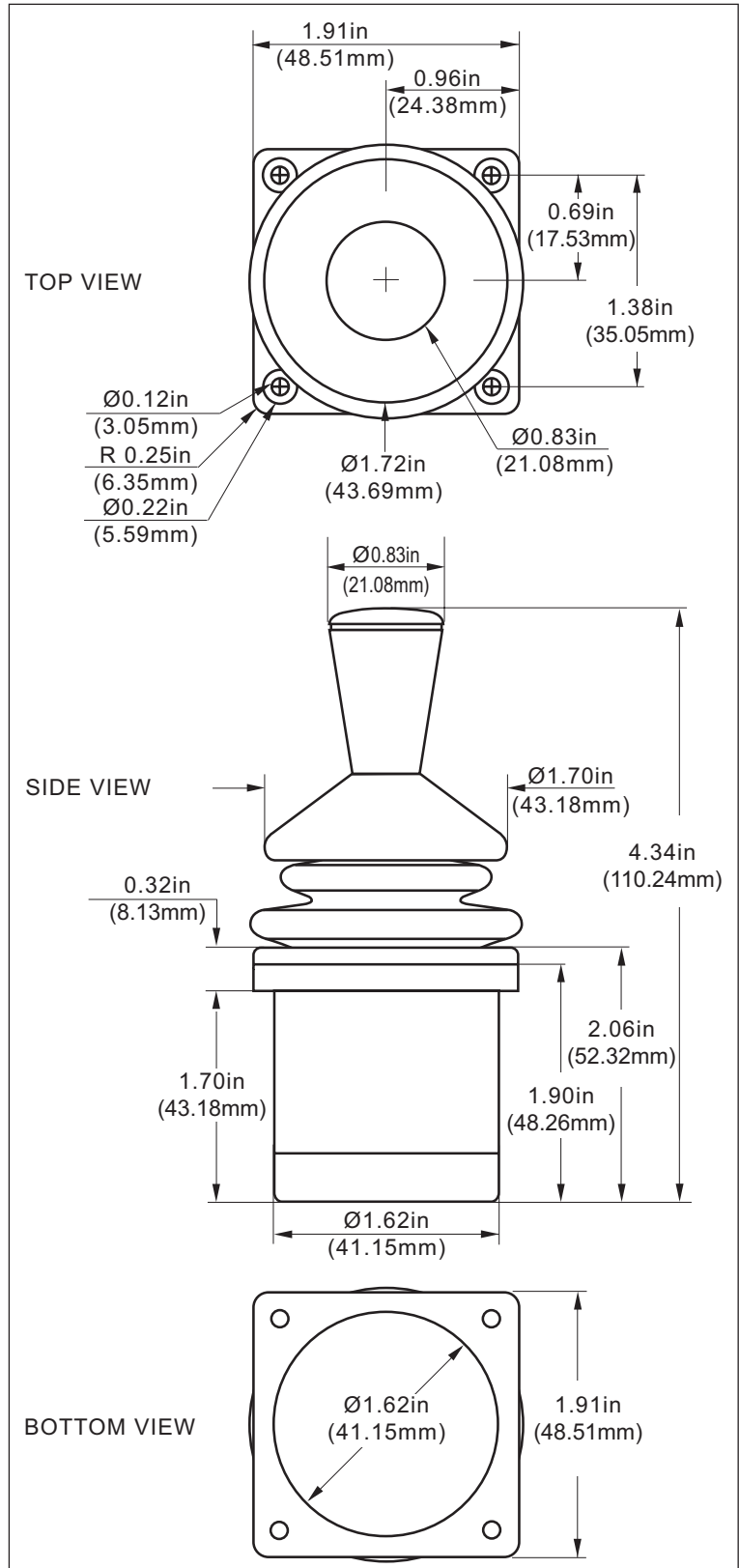
Excellent Integrated System Limited

Stocking Distributor

Click to view price, real time Inventory, Delivery & Lifecycle Information:

[Apem Inc.](#)
[HFX11S00U](#)

For any questions, you can email us directly:
sales@integrated-circuit.com



SPECIFICATIONS

ELECTRICAL

SUPPLY VOLTAGE (USB BUS) 5.0V DC
 SUPPLY CURRENT (USB BUS) 32mA max/axis

MECHANICAL

OPERATING TRAVEL 36° (18° from center)
 CENTERING Single spring, omnidirectional
 BREAKOUT FORCE 0.109Nm
 OPERATING FORCE 0.151Nm
 MAXIMUM FORCE 0.169Nm
 OPERATING TEMP -40°C to +85°C
 LIFE EXPECTANCY 10 million operations

WIRING

USB 1.1

RoHS compliant



P/N	HFX-11S00-U	REV	A
DESCRIPTION	Series I – 2 Axes, no Button, USB		
PROPRIETARY AND CONFIDENTIAL THE INFORMATION CONTAINED IN THIS DRAWING IS THE SOLE PROPERTY OF CH PRODUCTS. ANY REPRODUCTION IN PART OR AS WHOLE WITHOUT THE WRITTEN PERMISSION OF CH PRODUCTS IS PROHIBITED.			