

Excellent Integrated System Limited

Stocking Distributor

Click to view price, real time Inventory, Delivery & Lifecycle Information:

[Micro Commercial Components \(MCC\)](#)
[BAV199-TP](#)

For any questions, you can email us directly:

sales@integrated-circuit.com



Micro Commercial Components
20736 Marilla Street Chatsworth
CA 91311
Phone: (818) 701-4933
Fax: (818) 701-4939

Features

- Low Current Leakage
- Forward Current: $I_F=215\text{mA}$
- Small Outline Surface Mount Package
- Epoxy meets UL 94 V-0 flammability rating
- Moisture Sensitivity Level 1
- Marking: JY
- Lead Free Finish/Rohs Compliant ("P" Suffix designates RoHS Compliant. See ordering information)
- Halogen free available upon request by adding suffix "-HF"

Maximum Ratings

- Operating Temperature Range: -55°C to $+150^\circ\text{C}$
- Storage Temperature Range: -55°C to $+150^\circ\text{C}$

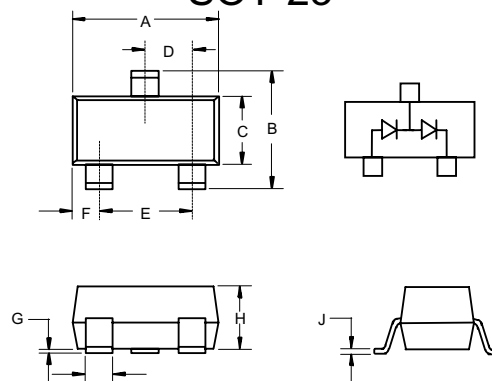
Electrical Characteristics @ 25°C Unless Otherwise Specified

| Symbol | Parameter | Min | Typ | Max | Units |
|-------------|---|-----|-----|------|-------|
| $V_{(BR)R}$ | Reverse Breakdown Voltage ($I_R=100\ \mu\text{A}$) | 70 | --- | --- | V |
| V_F | Forward Voltage | --- | --- | 0.90 | V |
| | $I_F=1.0\text{mA}$ | --- | --- | 1.00 | |
| | $I_F=10\text{mA}$ | --- | --- | 1.10 | |
| | $I_F=50\text{mA}$ | --- | --- | 1.25 | |
| I_R | leakage current ($V_R=75\text{V}$) | --- | --- | 5.0 | nA |
| C_j | Junction Capacitance ($V_R=0$, $f=1.0\text{MHz}$) | --- | --- | 2.0 | pF |
| t_{rr} | Reverse recovery time | --- | --- | 3.0 | us |

BAV199

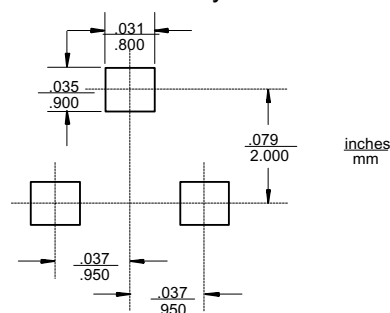
Dual Series Switching Diode

SOT-23



| DIM | DIMENSIONS | | | | NOTE |
|-----|------------|-------|------|------|------|
| | INCHES | | MM | | |
| A | .110 | .120 | 2.80 | 3.04 | |
| B | .083 | .104 | 2.10 | 2.64 | |
| C | .047 | .055 | 1.20 | 1.40 | |
| D | .035 | .041 | .89 | 1.03 | |
| E | .070 | .081 | 1.78 | 2.05 | |
| F | .018 | .024 | .45 | .60 | |
| G | .0005 | .0039 | .013 | .100 | |
| H | .035 | .044 | .89 | 1.12 | |
| J | .003 | .007 | .085 | .180 | |
| K | .015 | .020 | .37 | .51 | |

Suggested Solder Pad Layout



BAV199



Micro Commercial Components

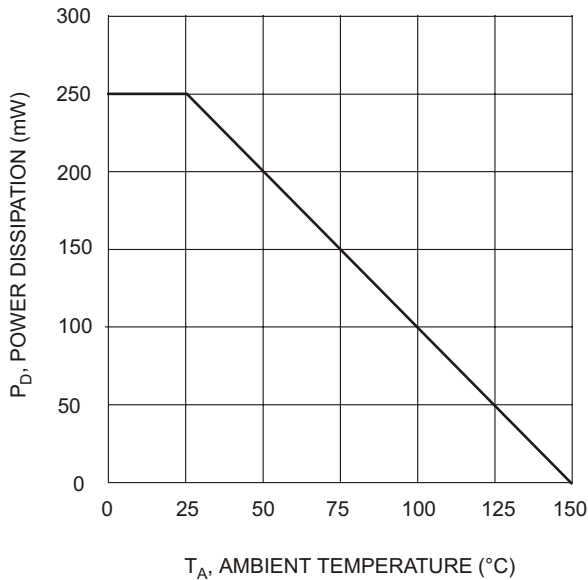


Fig. 1 Power Derating Curve

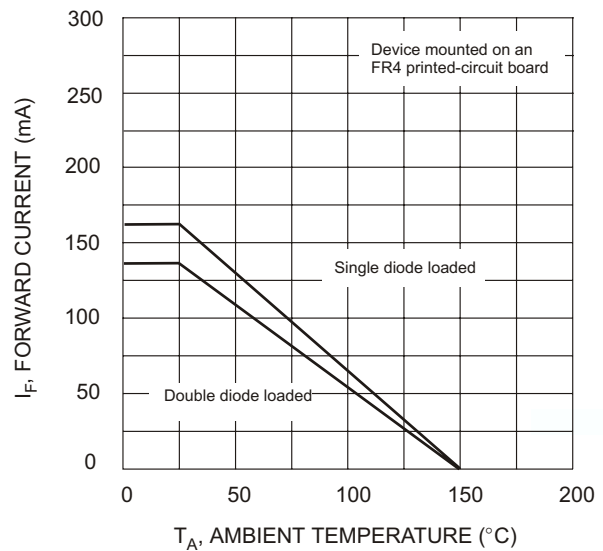


Fig. 2 Current Derating Curve

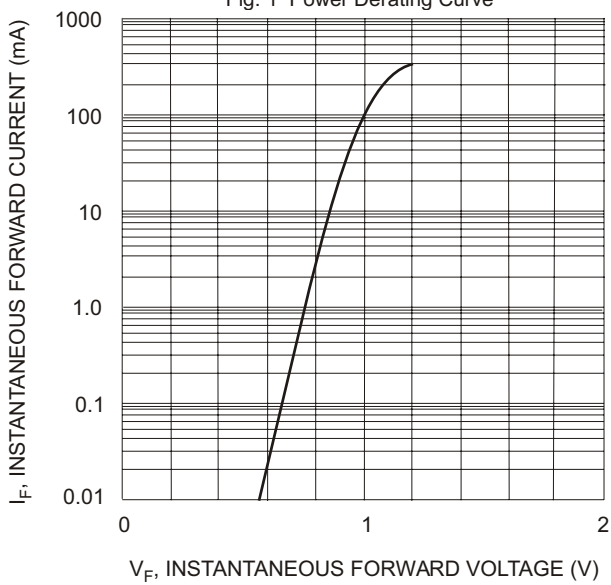


Fig. 3 Typical Forward Characteristics

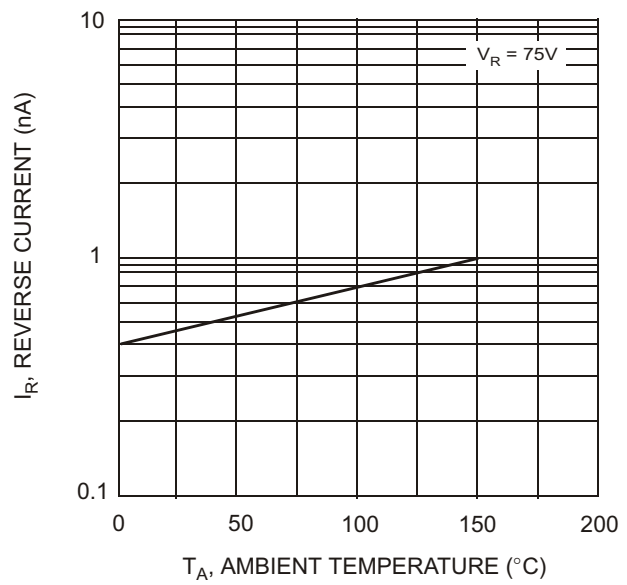


Fig. 4 Typical Reverse Characteristics



Micro Commercial Components

Ordering Information :

| Device | Packing |
|----------------|-----------------------|
| Part Number-TP | Tape&Reel: 3Kpcs/Reel |

Note : Adding "-HF" suffix for halogen free, eg. Part Number-TP-HF

IMPORTANT NOTICE

Micro Commercial Components Corp. reserves the right to make changes without further notice to any product herein to make corrections, modifications , enhancements , improvements , or other changes . **Micro Commercial Components Corp .** does not assume any liability arising out of the application or use of any product described herein; neither does it convey any license under its patent rights ,nor the rights of others . The user of products in such applications shall assume all risks of such use and will agree to hold **Micro Commercial Components Corp .** and all the companies whose products are represented on our website, harmless against all damages.

LIFE SUPPORT

MCC's products are not authorized for use as critical components in life support devices or systems without the express written approval of Micro Commercial Components Corporation.

CUSTOMER AWARENESS

Counterfeiting of semiconductor parts is a growing problem in the industry. Micro Commercial Components (MCC) is taking strong measures to protect ourselves and our customers from the proliferation of counterfeit parts. MCC strongly encourages customers to purchase MCC parts either directly from MCC or from Authorized MCC Distributors who are listed by country on our web page cited below. Products customers buy either from MCC directly or from Authorized MCC Distributors are genuine parts, have full traceability, meet MCC's quality standards for handling and storage. **MCC will not provide any warranty coverage or other assistance for parts bought from Unauthorized Sources.** MCC is committed to combat this global problem and encourage our customers to do their part in stopping this practice by buying direct or from authorized distributors.