

## Excellent Integrated System Limited

Stocking Distributor

Click to view price, real time Inventory, Delivery & Lifecycle Information:

[FCI](#)  
[51915-050](#)

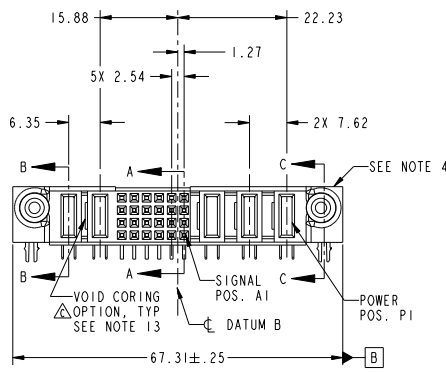
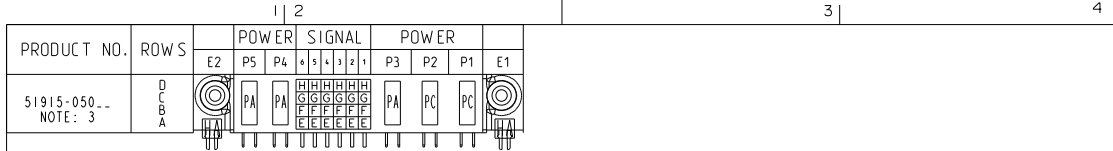
For any questions, you can email us directly:

[sales@integrated-circuit.com](mailto:sales@integrated-circuit.com)

Tous droits strictement réservés. Reproduction ou communication à des tiers interdite sous quelque forme que ce soit sans autorisation écrite du propriétaire. Propriété de E.I.S. Droits de reproduction FCI.



All rights strictly reserved. Reproduction or issue to third parties in any form whatever is not permitted without written authority from the proprietor. Property of FCI. Copyright FCI.



CODE	DIM "M" MATING LENGTH	CONTACT TYPE
E	[N/A]	SIGNAL
F	[N/A]	SIGNAL
G	[N/A]	SIGNAL
H	[N/A]	SIGNAL
PA	[1.07]	POWER
PC	[2.34]	POWER
HA	[N/A]	HOLD-DOWN

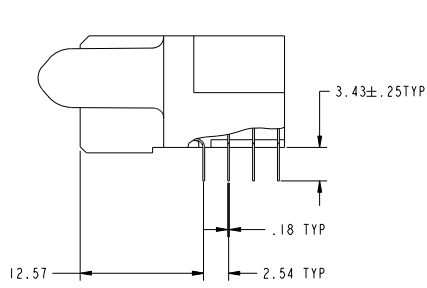
mat'l code				SEE NOTE 2		tolerances unless otherwise specified	
ltr	ecn no.	dr	date			0.X ± 0.5	
A	V04-0597	TAB	06/04/04	linear		0.XX ± 0.25	
B	DG05-0370	CS	09/30/05			0.XXX ± 0.10	
C	DG07-0498	JW	09/15/08	angles		0° ± 2°	
				dr	T. BRUNGARD	06/04/04	
				enr	M. GRAY	06/04/04	
				chr	M. GRAY	06/04/04	
				oppd	M. GRAY	06/04/04	
sheet index	revision sheet	C 1	C 2	C 3	C 4		

CUSTOMER		FCI	
www.fciconnect.com		www.fciconnect.com	
COPY	projection	title	
		3ACP + 24S + 2P R/A SOLDER RECEPTACLE	
product family		PwrBlade	
size	dwg no	code	
A	51915-050	213	
scale	1:1	sheet	
		1 of 4	
cage code		22526	

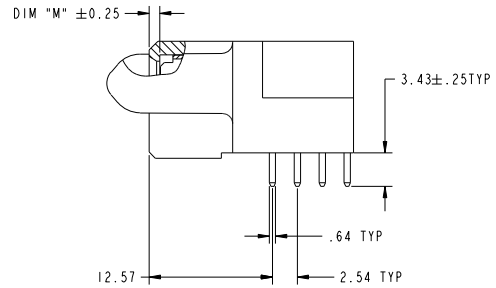
Tous droits strictement réservés. Reproduction ou communication à des tiers interdite sans autorisation écrite du propriétaire. Propriété de FCI. Droits de reproduction FCI.

All rights strictly reserved. Reproduction or issue to third parties in any form whatever is not permitted without written authority from the proprietor. Property of FCI. Copyright FCI.

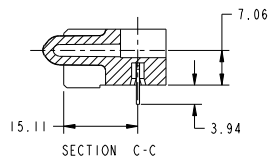
PRODUCT NUMBER  
51915-050  
NOTE: 3



BROKEN-OUT SECTION A-A  
SCALE 2:1



BROKEN-OUT SECTION B-B  
SCALE 2:1



SECTION C-C

mat'l code				SEE NOTE 2		tolerances unless otherwise specified		CUSTOMER		FCI	
lfr	ecm no.	dr	date	linear	0.X ± 0.5	projection	COPY	www.fciconnect.com			
C				angles	0.XX ± 0.25	MM	MM	title 3ACP + 24S + 2P R/A SOLDER RECEPTACLE			
				dr	0° ± 2°	scale	1:1	product family PwrBlade		code	213
				enrg	M. GRAY 06/04/04	size	A	dwg no 51915-050		sheet	2
				chr	M. GRAY 06/04/04						
				oppd	M. GRAY 06/04/04						
sheet index	revision sheet										

Pro/E

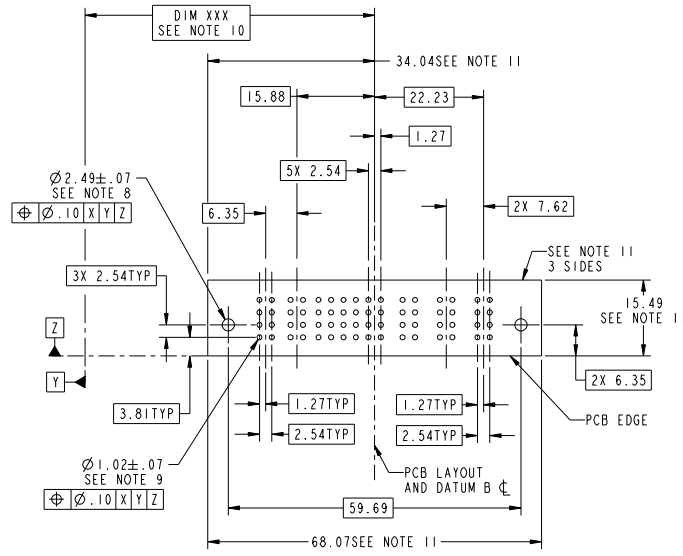
cage code 22526

Tous droits strictement réservés. Reproduction ou communication à des tiers interdite sous quelque forme que ce soit sans autorisation écrite du propriétaire. Propriété de FCI. Droits de reproduction FCI.



All rights strictly reserved. Reproduction or issue to third parties in any form whatever is not permitted without written authority from the proprietor. Property of FCI. Copyright FCI.

PRODUCT NUMBER  
51915-050...  
NOTE: 3



mat'l code		SEE NOTE 2	tolerances unless otherwise specified	CUSTOMER	FCI www.fciconnect.com	
lfr	ecm no.	dr	date	linear	0.X ± 0.5	COPY
C				linear	0.XX ± 0.25	projection
				linear	0.XXX ± 0.10	MM
				angles	0° ± 2°	scale
				dr	T. BRUNGARD 06/04/04	1:1
				enr	M. GRAY 06/04/04	size
				chr	M. GRAY 06/04/04	A
				oppd	M. GRAY 06/04/04	dwg no
sheet index	revision sheet					51915-050
						code
						213
						sheet
						3
						4
						cage code
						22526

Tous droits strictement réservés. Reproduction ou communication à des tiers interdite sous quelque forme que ce soit sans autorisation écrite du propriétaire. Propriété de FCI. Droits de reproduction FCI.

All rights strictly reserved. Reproduction or issue to third parties in any form whatever is not permitted without written authority from the proprietor. Property of FCI. Copyright FCI.



**PRODUCT NUMBER**  
51915-050  
NOTE: 3

**NOTES:**

1. DIMENSIONS AND TOLERANCES ARE IN ACCORDANCE WITH ASME Y14.5M, 1994 UNLESS OTHERWISE SPECIFIED.

**CONNECTOR NOTES:**

- ② HOUSING MATERIAL: UL 94 V-0 GLASS FILLED  
HIGH-TEMP THERMOPLASTIC  
POWER CONTACT MATERIAL: COPPER ALLOY  
SIGNAL PIN MATERIAL: COPPER ALLOY
- △ 3. PLATING:  
SEE ITEM 5 & 6 IN PRINT 10064183 FOR PLATING SPEC OF 51915-050; 51915-050LF PRESPECTIVELY

④ MANUFACTURER'S NAME, P/N, AND DATE CODE TO APPEAR ON THIS SURFACE.

5. PRODUCT SPECIFICATION GS-12-149.  
APPLICATION SPECIFICATION BUS-20-067.

6. PACKAGED IN TRAYS.

**PCB NOTES:**

- 7. ALL HOLE DIAMETERS ARE FINISHED HOLE SIZE.
- ⑧ MOUNTING HOLES, WHERE APPLICABLE, ARE UNPLATED.
- ⑨  $\varnothing 1.151 \pm 0.025$  DRILLED HOLES PLATED WITH 0.008 MIN SnPb OR Sn OVER 0.03 TO 0.08 Cu PLATING TO ACHIEVE  $\varnothing 1.02 \pm .07$  HOLE.
- ⑩ "DIM XXX" TO BE DETERMINED BY THE CUSTOMER.
- ⑪ CONNECTOR KEEP-OUT ZONE.

12. A △ SYMBOL WILL BE NEXT TO ANY DIMENSION, VIEW, OR NOTE WHICH HAS BEEN MODIFIED WITH THE CURRENT DRAWING REVISION.

△ 13. THE VOID CORING IN BETWEEN POWER MODULES, SIGNAL MODULES AND END MODULES ARE OPTIONAL AND THE SHAPE MAY BE DIFFERENT FOR OPTIMIZING THE MOLDING PROCESS THE VOID CORING WILL NOT EFFECT TO PRODUCT FUNCTION.

mat'l code		SEE NOTE 2		tolerances unless otherwise specified		CUSTOMER		FCI		www.fciconnect.com	
ltr	ecm no.	dr	date	linear	0. X ± 0.5	COPY		projection		title	
C					0. XX ± 0.25	A		MM		3ACP + 24S + 2P R/A SOLDER RECEPTACLE	
				angles	0° ± 2°	scale		product family		code	
				dr	T. BRUNGARD 06/04/04	1:1		PwrBlade		213	
				enrg	M. GRAY 06/04/04			size		sheet	
				chr	M. GRAY 06/04/04			dwg no		4	
				oppd	M. GRAY 06/04/04			51915-050			
sheet index	revision sheet										

cage code 22526

Pro/E