

## Excellent Integrated System Limited

Stocking Distributor

Click to view price, real time Inventory, Delivery & Lifecycle Information:

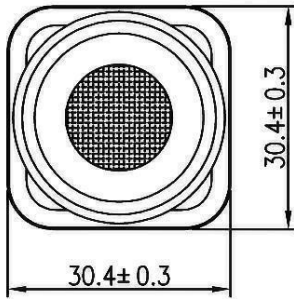
[CW Industries](#)  
[GRB203B801BRRN5](#)

For any questions, you can email us directly:

[sales@integrated-circuit.com](mailto:sales@integrated-circuit.com)

THIS INFORMATION IS CONFIDENTIAL AND PROPRIETARY TO CW INDUSTRIES INCORPORATED AND ITS AFFILIATES. IT MAY NOT BE DISCLOSED TO ANYONE, OTHER THAN CW INDUSTRIES PERSONNEL, WITHOUT WRITTEN AUTHORIZATION FROM CW INDUSTRIES INCORPORATED, SOUTHAMPTON, PENNSYLVANIA USA.

Rating	10A 250V AC	Mounting Hole		Circuit Diagram	
Contact Resistance	50m ohm Max.	Switch Function	3P SPST ON-OFF Lamp Dependent	Thickness 1.0~3.0 mm	
Insulation Resistance	DC 500V 100M ohm Min.	Lamp Type	LED 250VAC 220V w/resistor		
Dielectric Strength	AC 1500V 1 minute				
Operation Temperature	-25°C~85°C				



**\*MATERIAL:**

Frame: Black, Nylon 66 (94-V2)

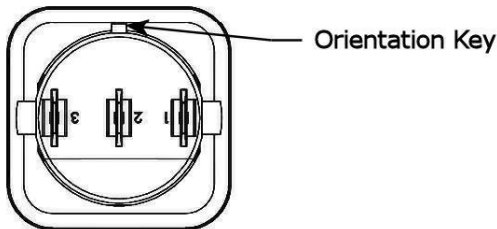
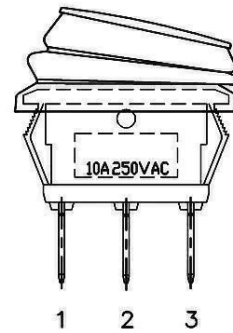
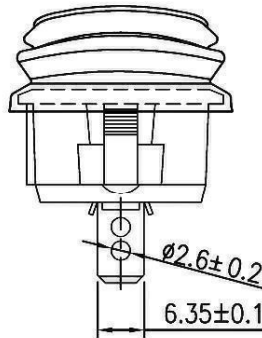
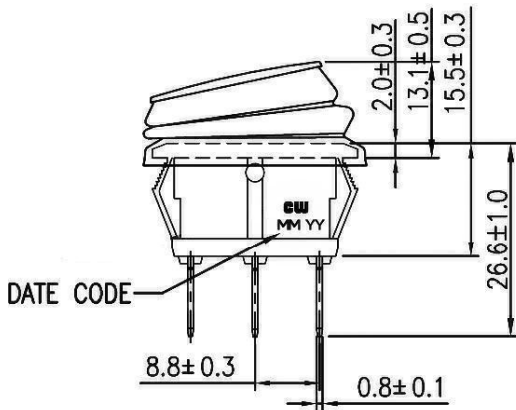
Actuator: Red, PC (94-V2)

Terminals: Silver plated, Copper alloy

Waterproof Rubber: Silicone

**\*Waterproof:** IP65

Tolerance:±0.3mm unless otherwise specified



RoHS Compliant

1   Added Dependent to switch function & Lamp Type to drawing. 12/08/11.			
Date Drawn: 5/17/10	Rev. 1	Unit: mm	Checked By: <i>G. Gold</i>
Title: <b>ROCKER SWITCH</b>		CW P/N: <b>GRB203B801BRRN5</b>	

**CW INDUSTRIES**  
Southampton, Pa. 18966  
Tel 215.355.7080/www.cwind.com