

## Excellent Integrated System Limited

Stocking Distributor

Click to view price, real time Inventory, Delivery & Lifecycle Information:

[CW Industries](#)  
[GRB292N301BBAG1](#)

For any questions, you can email us directly:

[sales@integrated-circuit.com](mailto:sales@integrated-circuit.com)

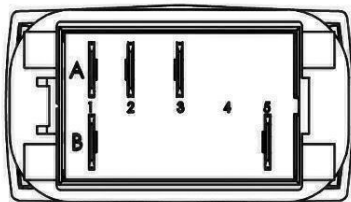
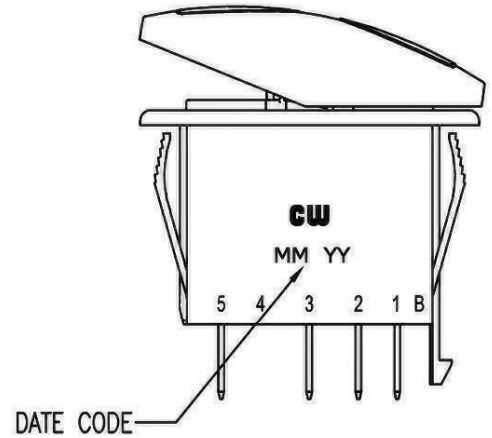
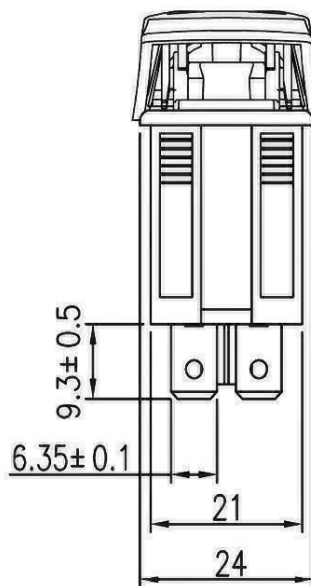
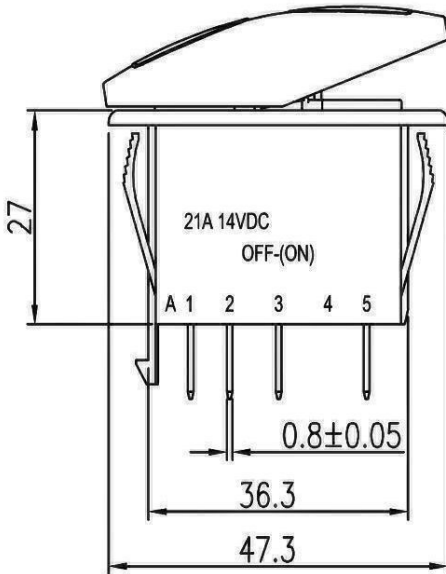
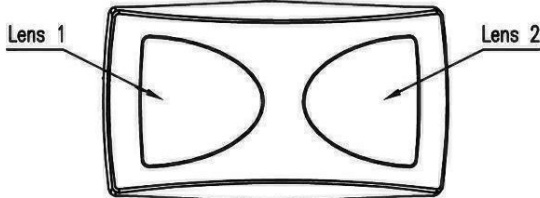
THIS INFORMATION IS CONFIDENTIAL AND PROPRIETARY TO CW INDUSTRIES INCORPORATED AND ITS AFFILIATES. IT MAY NOT BE DISCLOSED TO ANYONE, OTHER THAN CW INDUSTRIES PERSONNEL, WITHOUT WRITTEN AUTHORIZATION FROM CW INDUSTRIES INCORPORATED, SOUTHAMPTON, PENNSYLVANIA USA.

<b>Rating</b>		21A 14VDC		<b>Mounting Hole</b>	<b>Circuit Diagram</b>								
<b>Contact Resistance</b>	50m ohm Max.												
<b>Insulation Resistance</b>	DC 500V 100M ohm Min.			<table border="1"> <tr> <th>Thickness(mm)</th> <th>X(mm)</th> <th>Y(mm)</th> </tr> <tr> <td>0.75~1.25</td> <td rowspan="3">21.0<sup>+0.3</sup><sub>0</sub></td> <td>36.6+0.1</td> </tr> <tr> <td>1.25~2.0</td> <td>36.8+0.1</td> </tr> <tr> <td>2.0~3.0</td> <td>37.0+0.1</td> </tr> </table>	Thickness(mm)	X(mm)	Y(mm)	0.75~1.25	21.0 <sup>+0.3</sup> <sub>0</sub>	36.6+0.1	1.25~2.0	36.8+0.1	2.0~3.0
Thickness(mm)	X(mm)	Y(mm)											
0.75~1.25	21.0 <sup>+0.3</sup> <sub>0</sub>	36.6+0.1											
1.25~2.0		36.8+0.1											
2.0~3.0		37.0+0.1											
<b>Dielectric Strength</b>	AC 1500V 1 minute												
<b>Operation Temperature</b>	- 25 ° ~ + 85 °												
<b>Switch Function</b>	5P SPST OFF - (ON)												
<b>Lamp Type</b>	12VDC 14V w/resistor	LED 1 Independent LED 2 Dependent											

( ) = Momentary Function

**Material:**

1. Frame: Nylon-66(94V-2) - Black  
 Actuator: Nylon-66+33%GF - Black  
 Lens 1: PC, Amber  
 Lens 2: PC, Green  
 Terminal: Silver plated copper (excepted lamp terminal)  
 Printed: None
2. Waterproof: "IP-67".



TOLERANCE: ±0.3mm UNLESS OTHERWISE SPECIFIED.

RoHS Compliant

3	Added Lamp Type. 12/16/2011.
2	Changed IP-66 to IP-67. 12/13/10
1	Reversed Button & Function direction. 8/24/10.

**CW INDUSTRIES**  
 Southampton, Pa. 18966  
 Tel 215.355.7080/www.cwind.com

Date Drawn: 5/20/10

Rev. 3

Unit: mm

Checked By: *G. Gold*

Title: **ROCKER SWITCH**

CW P/N: **GRB292N301BBAG1**