

Excellent Integrated System Limited

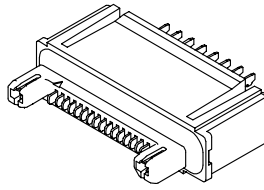
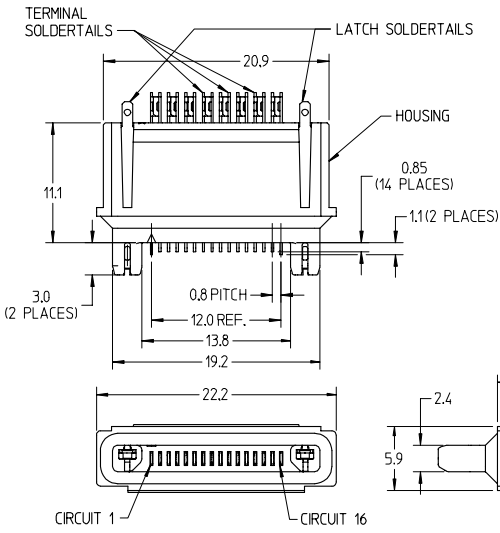
Stocking Distributor

Click to view price, real time Inventory, Delivery & Lifecycle Information:

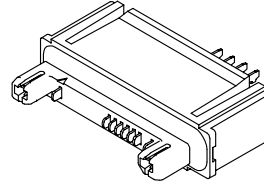
[Molex Connector Corporation](#)
[0453391600](#)

For any questions, you can email us directly:

sales@integrated-circuit.com



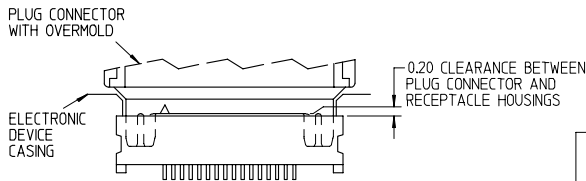
ISOMETRIC VIEW
16 CIRCUIT MODULE



MODULE WITH VOIDED CIRCUITS
(EXAMPLE)

NOTES:

1. MATERIALS:
HOUSING - THERMOPLASTIC, UL94V-0, COLOR:BLACK
TERMINALS - COPPER ALLOY
LATCHES - STAINLESS STEEL
2. FINISHES: GOLD OVER NICKEL ON CONTACT AREAS,
TIN OVER NICKEL ON SOLDER AREAS.
3. PRODUCT SPECIFICATION: PS-44828-001
APPLICATION SPECIFICATION: AS-45339-001
4. PLEASE REFER TO MOLEX APPLICATION SPECIFICATION NO. AS-45339-001 FOR RECOMMENDATIONS FOR OVERMOLDING AFTER CABLE ASSEMBLY.
5. PACKAGED IN VACUUM-FORMED TRAYS (2100 PIECES PER CARTON).



RECOMMENDATIONS FOR CONFIGURATION
OF MATED CONNECTORS

IMPORTANT: PLEASE REFER TO MOLEX
APPLICATION SPECIFICATION AS-44828-001 FOR
DETAILED DESIGN LAYOUT AND MATING REQUIREMENTS

5				X	X	X	X										X	453391607
14	X	X	X	X	X	X			X	X	X	X	X	X	X	X	X	453391606
15	X	X	X	X	X	X	X	X	X	X	X	X	X	X	X		X	453391605
10	X	X	X	X	X	X			X	X		X	X					453391604
9	X								X	X	X	X	X	X	X		X	453391603
8	X									X	X	X	X	X	X		X	453391602
2	X																X	453391601
16	X	X	X	X	X	X	X	X	X	X	X	X	X	X	X	X	X	453391600
NO. OF CIRCUITS	1	2	3	4	5	6	7	8	9	10	11	12	13	14	15	16		
	TERMINAL LOCATIONS (PRESENCE DENOTED BY AN X)																MATERIAL NOS.	

REVISED PER EC EC NO. UCP2006-1991 DRAWN:MSIMMEL 2005/12/19 CHKD:MSIMMEL 2005/12/20 APPR: JCOMERCI 2005/12/21	QUALITY SYMBOLS -0 -0	GENERAL TOLERANCES (UNLESS SPECIFIED)	SCALE	DESIGN UNITS	THIRD ANGLE PROJECTION	REVISE ON CAD ONLY
			3:1	METRIC		
A	DESCRIPTION	4 PLACES	mm	INCH	TITLE	0.8MM HANDYLINK™ PLUG CONNECTOR MODULES FOR WIRE TERMINATION
		3 PLACES	±---	±---		
A	DESCRIPTION	2 PLACES	±0.10	±---	DRAWN BY	DATE
		1 PLACE	±0.13	±---		
A	DESCRIPTION	ANGULAR	±1/2°		CHECKED BY	DATE
A	DESCRIPTION	DRAFT WHERE APPLICABLE	MUST REMAIN WITHIN DIMENSIONS		APPROVED BY	DATE
			THIS DRAWING CONTAINS INFORMATION THAT IS PROPRIETARY TO MOLEX INCORPORATED AND SHOULD NOT BE USED WITHOUT WRITTEN PERMISSION		MATERIAL NO.	DOCUMENT NO.
					SHEET NO.	
					1 OF 26	