

Excellent Integrated System Limited

Stocking Distributor

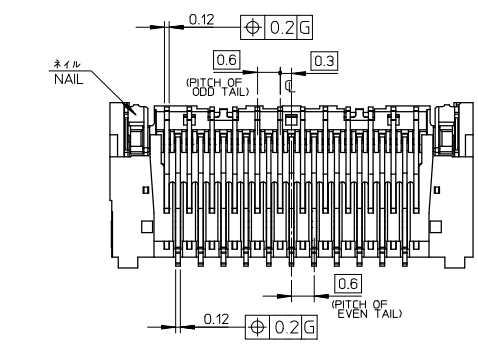
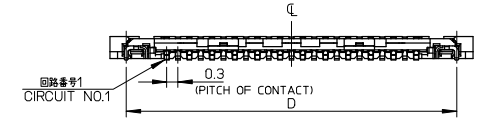
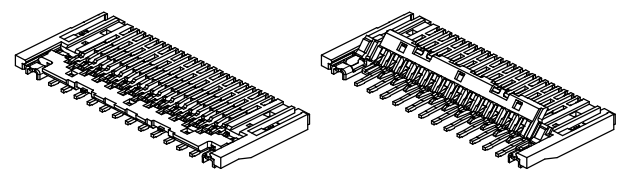
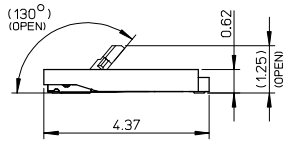
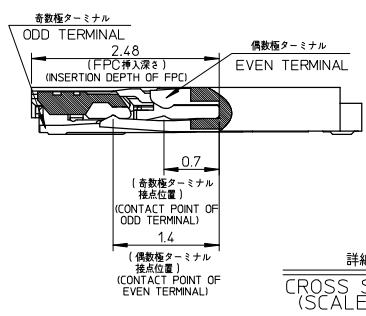
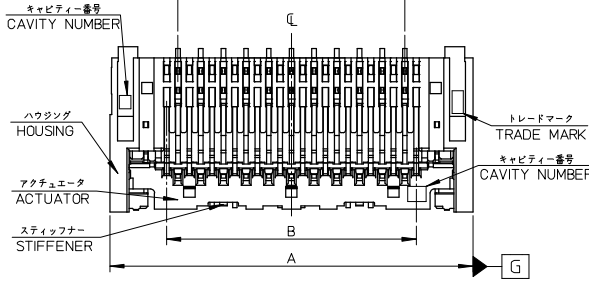
Click to view price, real time Inventory, Delivery & Lifecycle Information:

[Molex Connector Corporation](#)
[5027613300](#)

For any questions, you can email us directly:

sales@integrated-circuit.com

10 9 8 7 6 5 4 3 2 1



16.54	13.8	14.4	17.4	502761-4900	502761-4909	49
11.74	9	9.6	12.6	502761-3300	502761-3309	33
D	C	B	A	オーダー番号 (EMBOSSED TAPE)	製品番号 MATERIAL NO.	極数 CIRCUITS

REVISED EC NO: J2008-4277 DRAWN: IRSUZUKI 2008/06/17 CHKD: MORIKAWA 2008/06/18 APPR: MORIKAWA 2008/06/18	GENERAL TOLERANCES (UNLESS SPECIFIED)		DIMENSION STYLE MM ONLY		SCALE 10:1	DESIGN UNITS METRIC	THIRD ANGLE PROJECTION
	10 UNDER	± 0.2	DRAWN BY IRSUZUKI	DATE 2008/06/17	TITLE 0.3 FPC CONN (H=0.62) HSG ASSY BOTTOM CONTACT GOLD WITH NICKEL BARRIER		
	10 OVER 30 UNDER	± 0.25	CHECKED BY KMORIKAWA	DATE 2008/06/17	MOLEX INCORPORATED		
	30 OVER	± 0.3	APPROVED BY HIRATA	DATE 2008/06/17	MATERIAL NO.	DOCUMENT NO. SD-502761-001	SHEET NO. 1 OF 3
	ANGULAR ±1 °		SEE CHART		THIS DRAWING CONTAINS INFORMATION THAT IS PROPRIETARY TO MOLEX INCORPORATED AND SHOULD NOT BE USED WITHOUT WRITTEN PERMISSION		
DRAFT WHERE APPLICABLE MUST REMAIN WITHIN DIMENSIONS							

10 9 8 7 6 5 4 3 2 1

注記 NOTES

1.使用材料 MATERIAL

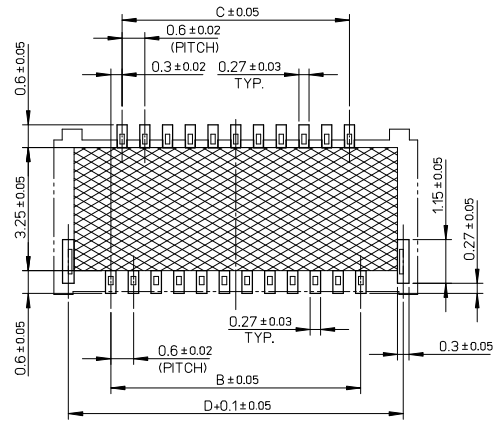
ハウジング : 液晶ポリマー ガラス充填 UL94V-0 (黒)
HOUSING : LIQUID CRYSTAL POLYMER (GLASS FILLED)
UL94V-0 (COLOR:BLACK)
アクチュエータ : 液晶ポリマー ガラス充填 UL94V-0 (灰色)
ACTUATOR : LIQUID CRYSTAL POLYMER (GLASS FILLED)
UL94V-0 (COLOR:GRAY)
ターミナル : 銅ニッケルスズ合金
TERMINAL : COPPER NICKEL TIN ALLOY
ネイル : リン青銅
FITTING NAIL : PHOSPHOR-BRONZE
スティフナー : ステンレス鋼
STIFFENER : STAINLESS STEEL

2.メッキ仕様 PLATING

ターミナル TERMINAL
接点部 : 金メッキ
CONTACT AREA : GOLD
半田付け部 : 金メッキ
SOLDER TAIL AREA : GOLD
下地メッキ : ニッケルメッキ
UNDER PLATING : NICKEL
ネイル FITTING NAIL
スズメッキ
TIN
下地メッキ : ニッケルメッキ
UNDER PLATING : NICKEL

3.ソルダーテール半田付け面、及びネイル半田付け面の平度:0.15MAX.
COPLANARITY OF SOLDER TAILS AND FITTING NAILS
TO BE 0.15mm MAX.

4.ELV 及び RoHS適合品
ELV AND RoHS COMPLIANT



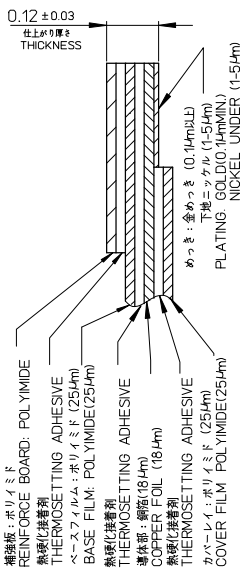
☒ : パターン及び半田禁止エリア
: PATTERN AND SOLDER PROHIBITION AREA

推奨基板寸法
RECOMMENDED P.C.B. PATTERN LAYOUT

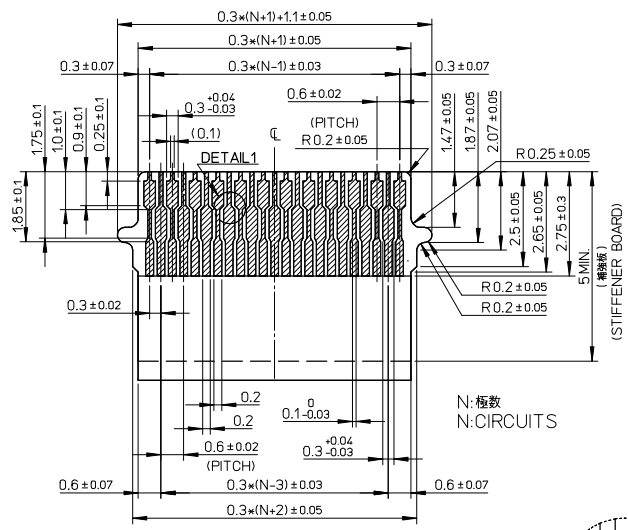
推奨メタルマスク仕様について:
厚さ:0.11mm、開孔率:弊社推奨パターンに対し60%
ABOUT: METAL MASK SPECIFICATION
RECOMMENDED THICKNESS: 0.11mm
THE RECOMMENDED APERTURE RATE SHALL BE 60%
USING OUR RECOMMENDED P.C.B. PATTERN LAYOUT.

SEE SHEET 1 EC NO. J2008-4277 DRAWN: TRSUZUKI 2008/06/17 CHKD: MORIKAWA 2008/06/18 APPR: MORIKAWA 2008/06/18 REV. DESCRIPTION	GENERAL TOLERANCES (UNLESS SPECIFIED)		DIMENSION STYLE	SCALE	DESIGN UNITS	THIRD ANGLE PROJECTION
			MM ONLY	10:1	METRIC	
	10 UNDER	± 0.2	DRAWN BY	DATE	TITLE	
	10 OVER 30 UNDER	± 0.25	TRSUZUKI	2008/06/17	0.3 FPC CONN (H=0.62) HSG ASSY BOTTOM CONTACT GOLD WITH NICKEL BARRIER	
30 OVER	± 0.3	CHECKED BY	DATE	MOLEX INCORPORATED		
ANGULAR	± 1 °	MORIKAWA	2008/06/18	MOLEX INCORPORATED		
DRAFT WHERE APPLICABLE MUST REMAIN WITHIN DIMENSIONS		APPROVED BY	DATE	MATERIAL NO.	DOCUMENT NO.	SHEET NO.
		HIRATA	2008/06/11	SEE SHEET 1	SD-502761-001	2 OF 3
		THIS DRAWING CONTAINS INFORMATION THAT IS PROPRIETARY TO MOLEX INCORPORATED AND SHOULD NOT BE USED WITHOUT WRITTEN PERMISSION				

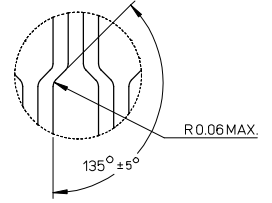
10 9 8 7 6 5 4 3 2 1



FPC構成推奨仕様
STRUCTURE OF FPC



適合する金めっきFPC推奨寸法
APPLICABLE FPC OF GOLD PLATING
RECOMMENDED DIMENSION
(仕上がり厚さ: 0.12±0.03)
(THICKNESS: 0.12±0.03)



DETAIL 1
Scale 40:1

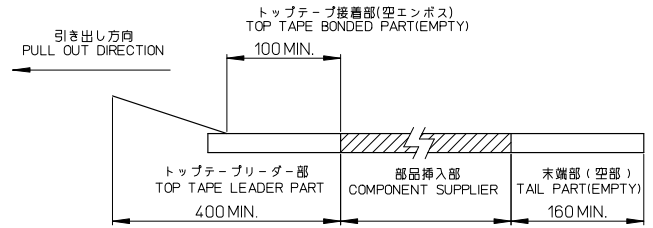
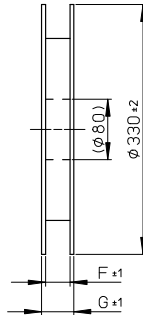
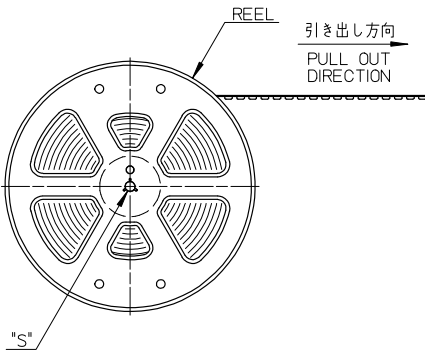
FPCについて:
抜き方向は、導体側から補強板側を推奨致します。
補強フィルム材質は、ポリイミドを推奨致します。
接着剤は熱硬化接着剤を推奨致します。
尚、接着剤の接点部への付着は導通不良の原因になりますので、
染み出しが無い様、お願い致します。

ABOUT FPC:
RECOMMENDED PUNCHER DIRECTION:
FROM CONDUCTOR SIDE TO STIFFENER FILM SIDE.
RECOMMENDED MATERIAL:
STIFFENER FILM: POLYIMIDE
BONDING AGENT: THERMOSETTING AGENT
PLEASE PUT APPROPRIATE AMOUNT OF ADHESIVE ON ADHEREND
BECAUSE THERE IS A POSSIBILITY THAT THE EXTRA ADHESIVE
CAUSES THE DEFECT IN ELECTRICAL CONTINUITY.

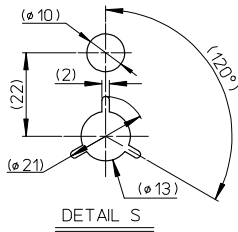
SEE SHEET 1 EC NO. J2008-4277 DRAWN: TRSUZUKI 2008/06/17 CHKD: MORIKAWA 2008/06/18 APPR: MORIKAWA 2008/06/18	GENERAL TOLERANCES (UNLESS SPECIFIED)		DIMENSION STYLE MM ONLY		SCALE 10:1	DESIGN UNITS METRIC	THIRD ANGLE PROJECTION
	10 UNDER	±0.2	DRAWN BY TRSUZUKI	DATE 2008/06/17	TITLE 0.3 FPC CONN (H=0.62) HSG ASSY BOTTOM CONTACT GOLD WITH NICKEL BARRIER		
	10 OVER 30 UNDER	±0.25	CHECKED BY MORIKAWA	DATE 2008/06/17	MOLEX INCORPORATED		
	30 OVER	±0.3	APPROVED BY HIRATA	DATE 2008/06/17	MATERIAL NO. SEE SHEET 1	DOCUMENT NO. SD-502761-001	SHEET NO. 3 OF 3
ANGULAR ±1 °		DRAFT WHERE APPLICABLE MUST REMAIN WITHIN DIMENSIONS		THIS DRAWING CONTAINS INFORMATION THAT IS PROPRIETARY TO MOLEX INCORPORATED AND SHOULD NOT BE USED WITHOUT WRITTEN PERMISSION			

NOTES

1. 製品詳細寸法につきましては、SD-502761-001 を参照ください。
RE DETAILED DIMENSION, SEE SD-502761-001
2. 梱包数量: 3000個/リール
NUMBER OF CONNECTORS: 3000PCS/REEL
3. リードテープの長さ
LEAD TAPE LENGTH



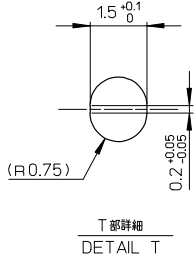
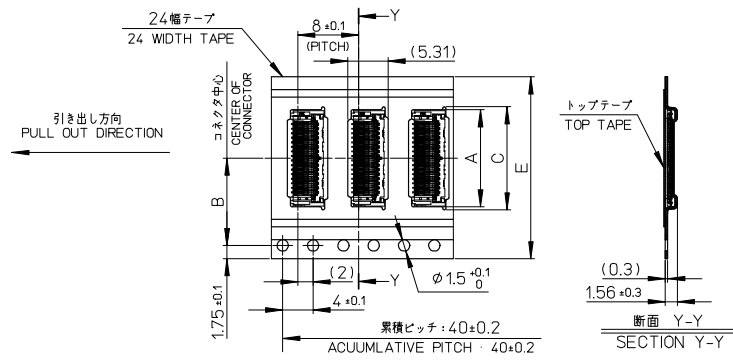
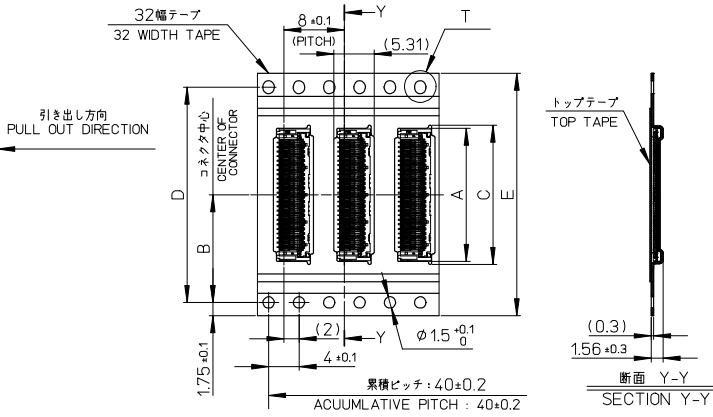
4. 材料(MATERIAL)
キャリアテープ(CARRIER TAPE): ポリスチレン(POLYSTYRENE)
トップテープ(TOP TAPE): PET, PE, PEF
リール(REEL): ポリスチレン(POLYSTYRENE)<リサイクル材を含む>
<RECYCLE MATERIAL CONTAINED>
5. ELV 及び RoHS 適合品
ELV AND RoHS COMPLIANT.



RELEASED EC NO.: J2008-3700 DRWN: TRSUZUKI 2008/06/13 CHKD: KMORIKAWA 2008/06/13 APP: KMORIKAWA 2008/06/16	DESCRIPTION	GENERAL TOLERANCES (UNLESS SPECIFIED)		DIMENSION STYLE	SCALE	DESIGN UNITS	THIRD ANGLE PROJECTION	
				MM ONLY	---	METRIC		
		10 UNDER	±0.2	DRAWN BY	DATE	TITLE		
		10 OVER 30 UNDER	±0.25	TRSUZUKI	2008/06/11	0.3 FPC CONN (H=0.62) EMBOSSD TAPE PACKAGE GOLD WITH NICKEL BARRIER		
		30 OVER	±0.3	CHECKED BY	DATE	MOLEX INCORPORATED		
		ANGULAR	±1 °	KMORIKAWA	2008/06/11	MOLEX INCORPORATED		
		DRAFT WHERE APPLICABLE MUST REMAIN WITHIN DIMENSIONS		APPROVED BY	DATE	MATERIAL NO.	DOCUMENT NO.	
				HIRATA	2008/06/11	SEE SHEET 2	SD-502761-002	
				SIZE		THIS DRAWING CONTAINS INFORMATION THAT IS PROPRIETARY TO MOLEX INCORPORATED AND SHOULD NOT BE USED WITHOUT WRITTEN PERMISSION		
				A3		SHEET NO. 1 OF 2		

キャリアテープ幅: 32mm品

キャリアテープ幅: 24mm品



37.4	33.4	32±0.3	28.4	18.4	14.2	17.6	502761-4900	49
29.4	25.4	24±0.3	---	13.6	11.5	12.8	502761-3300	33
G	F	E キャリアテープ幅 CARRIER TAPE WIDTH	D	(C)	(B)	(A)	製品番号 MATERIAL NO.	極数 CIRCUITS

SEE SHEET 1 EC NO.: J2008-3700 DRAWN: TRSUZUKI 2008/06/13 CHKD: MORIKAWA 2008/06/13 APPR: MORIKAWA 2008/06/16	DESCRIPTION	GENERAL TOLERANCES (UNLESS SPECIFIED)	DIMENSION STYLE MM ONLY	SCALE ---	DESIGN UNITS METRIC	THIRD ANGLE PROJECTION
	10 UNDER	± 0.2	DRAWN BY TRSUZUKI	DATE 2008/06/11	TITLE 0.3 FPC CONN (H=0.62) EMBOSSD TAPE PACKAGE GOLD WITH NICKEL BARRIER	
	10 OVER 30 UNDER	± 0.25	CHECKED BY MORIKAWA	DATE 2008/06/11	MOLEX INCORPORATED	
	30 OVER	± 0.3	APPROVED BY HIRATA	DATE 2008/06/11	MATERIAL NO. SD-502761-002	
	ANGULAR	± 1 °	DRAFT WHERE APPLICABLE MUST REMAIN WITHIN DIMENSIONS		DOCUMENT NO.	SHEET NO. 2 OF 2
REV: 0	SIZE: A3	THIS DRAWING CONTAINS INFORMATION THAT IS PROPRIETARY TO MOLEX INCORPORATED AND SHOULD NOT BE USED WITHOUT WRITTEN PERMISSION				