

## Excellent Integrated System Limited

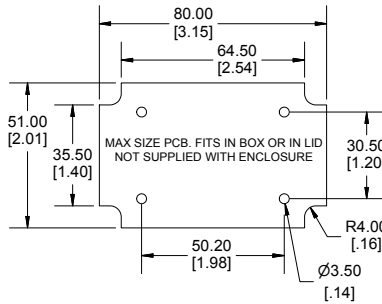
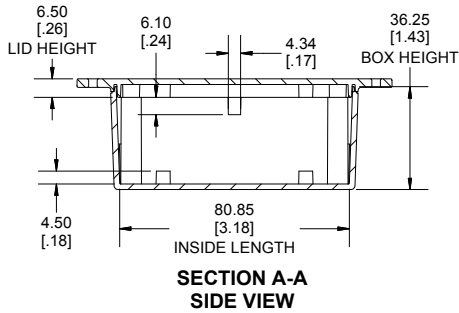
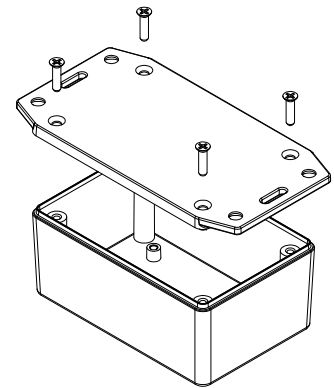
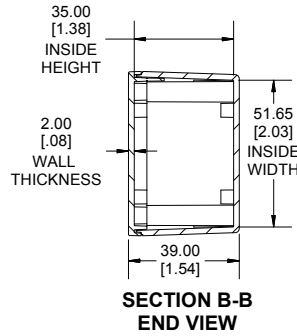
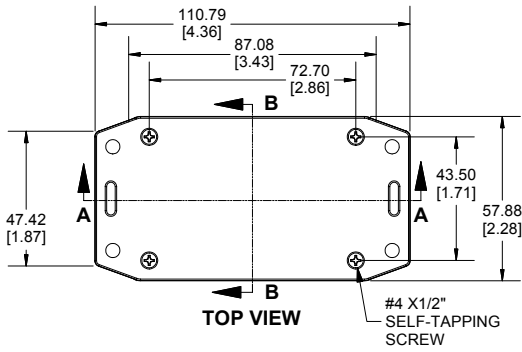
Stocking Distributor

Click to view price, real time Inventory, Delivery & Lifecycle Information:

[Hammond Manufacturing](#)  
[1591XXLSFLBK](#)

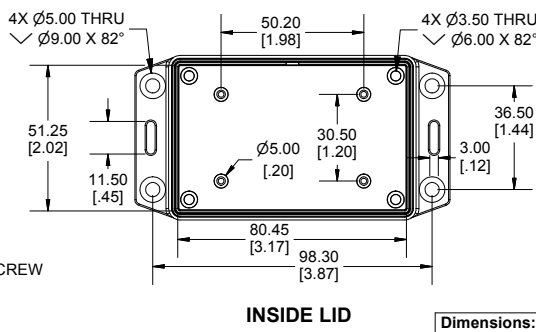
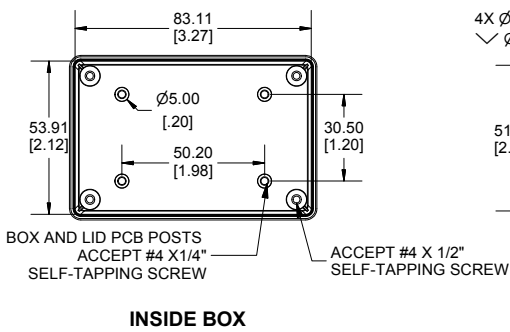
For any questions, you can email us directly:

[sales@integrated-circuit.com](mailto:sales@integrated-circuit.com)



Enclosures can be Factory Modified ( Milling, Drilling, Printing etc.)  
 Contact Factory [mjm@hammondmfg.com](mailto:mjm@hammondmfg.com) for quotes  
 Solid models of this enclosure available in STEP or IGES.  
 (Part number and text placement/orientation on our products are subject to change, we do not recommend using them as a locating reference for modification purposes)

| NOTE  |  |
|---|--|
| Purchased assembly includes box, lid and Enclosure molded from GPABS Plastic. |  |
| Other materials / colours available consult factory.                          |  |
| Recommended Torque : (35-43) Oz.in / (25-30) cNm                              |  |



| PART NUMBERS                               |                       |
|--|-----------------------|
| 1591XXLSFL Enclosure                       |                       |
| Black Textured Enclosure                   | 1591XXLSFLBK          |
| ACCESSORIES                                |                       |
| Black Cover Screws #4 X 1/2" Self-tapping  | 1591TS100BK (Pkg 100) |
| Plated Cover Screws #4 X 1/2" Self-tapping | 1591TS100 (Pkg 100)   |
| P.C. Board Screws                          | 1593ATS50 (Pkg 50)    |
| #4 x 1/4" self-tapping (6.4mm)             | 1593ATS100 (Pkg 100)  |

1591XXLSFL

www.hammondmfg.com

Dimensions:  
mm  
[inches]