

Excellent Integrated System Limited

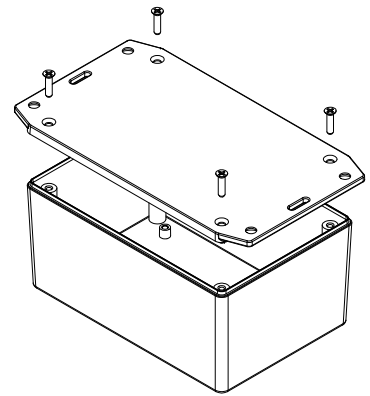
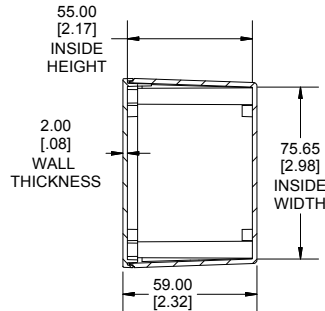
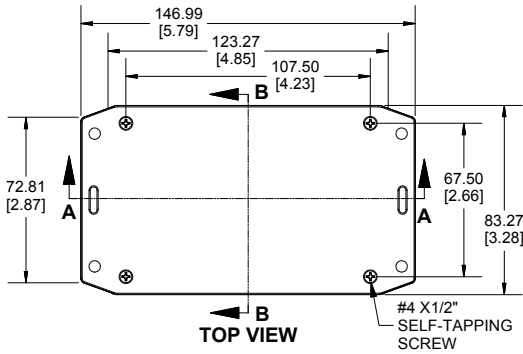
Stocking Distributor

Click to view price, real time Inventory, Delivery & Lifecycle Information:

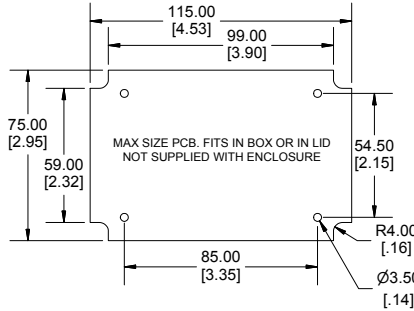
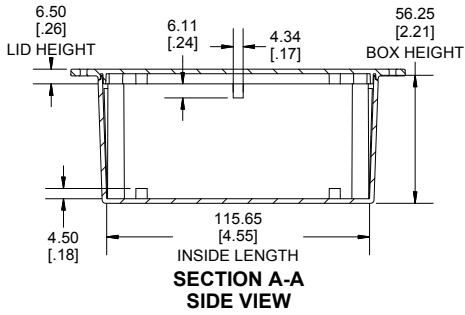
[Hammond Manufacturing](#)
[1591XXTSFLBK](#)

For any questions, you can email us directly:

sales@integrated-circuit.com



**SECTION B-B
END VIEW**

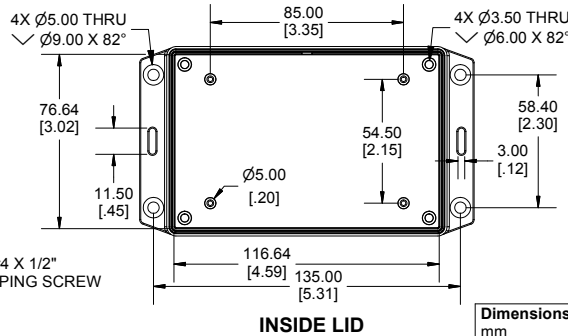
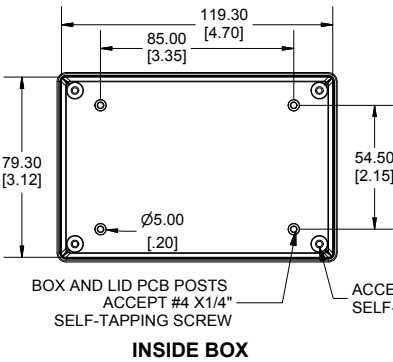


**SECTION A-A
SIDE VIEW**

Enclosures can be Factory Modified (Milling, Drilling, Printing etc.)
Contact Factory mjm@hammondmfg.com for quotes
Solid models of this enclosure available in STEP or IGES.
(Part number and text placement/orientation on our products are subject to change, we do not recommend using them as a locating reference for modification purposes)

NOTE

Purchased assembly includes box, lid and
Enclosure molded from GPABS Plastic.
Other materials / colours available consult factory.
Recommended Torque : (35-43) Oz.in / (25-30) cNm



INSIDE BOX

INSIDE LID

Dimensions:
mm
[inches]

PART NUMBERS

1591XXTSFL Enclosure	
ACCESSORIES	
Black Textured Enclosure	1591XXTSFLBK
Black Cover Screws #4 X 1/2" Self-tapping	1591TS100BK (Pkg 100)
Plated Cover Screws #4 X 1/2" Self-tapping	1591TS100 (Pkg 100)
P.C. Board Screws	1593ATS50 (Pkg 50)
#4 x 1/4" self-tapping (6.4mm)	1593ATS100 (Pkg 100)



**HAMMOND
MANUFACTURING.**
1591XXTSFL
www.hammondmfg.com