

Excellent Integrated System Limited

Stocking Distributor

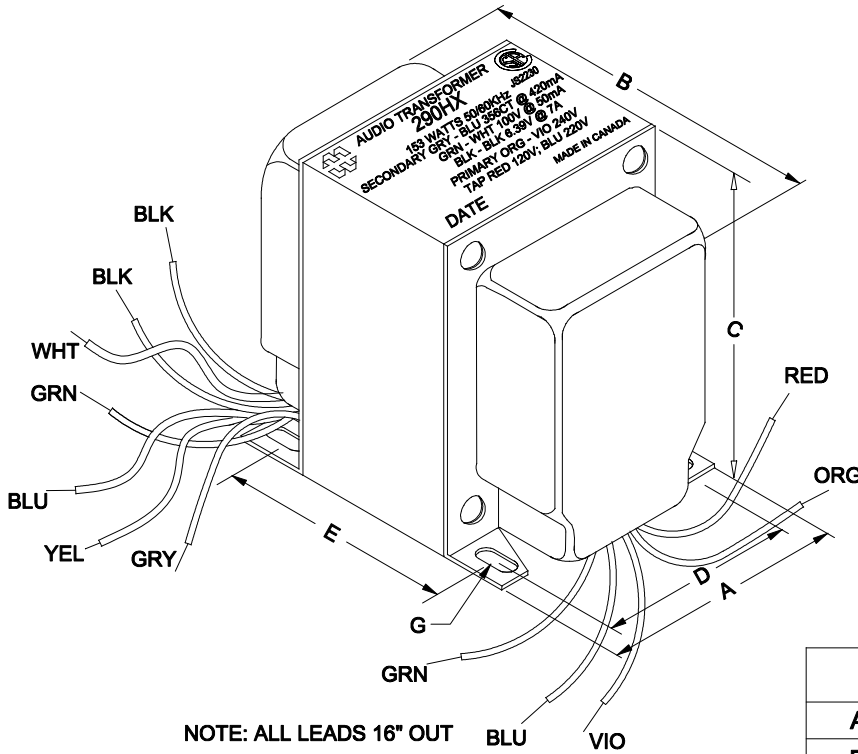
Click to view price, real time Inventory, Delivery & Lifecycle Information:

[Hammond Manufacturing](#)
[290HX](#)

For any questions, you can email us directly:

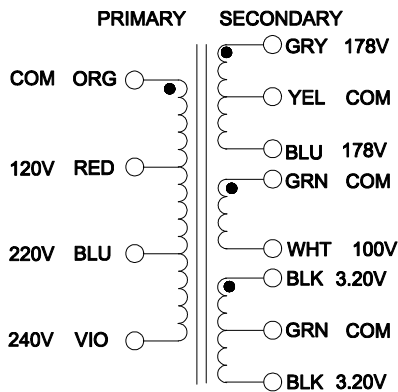
sales@integrated-circuit.com

290HX



NOTE: ALL LEADS 16" OUT

| DIMENSIONS: | |
|-------------|----------------------|
| A | 3.750" ±0.063 |
| B | 4.270" ±MAX |
| C | 4.530" ±MAX |
| D | 3.215" ±0.063 |
| E | 3.234" ±0.063 |
| G | 0438" x 0215" ±0.015 |



| ELECTRICAL DATA: | |
|--------------------|---|
| Turns ratio: | 1 : 1.12 (GRY - BLU) |
| Exciting Current | @ 120V, 60Hz, ORG - RED = 200mA Max. |
| DCR | @ 25C, ORG - VIO = 4.83 Ω ±20% |
| | @ 25C, GRY - BLU = 21.08 Ω ±20% |
| | @ 25C, GRN - WHT = 52.17 Ω ±20% |
| | @ 25C, BLK - BLK = 0.026 Ω ±20% |
| Pri. Voltage | 120V/220V/240V 50/60Hz |
| Sec. Voltage (RMS) | 356VCT @ 420mA / 100V @ 50mA / 6.39VCT @ 7A |
| No Load Voltage | 368VCT / 103.8V / 6.68VCT |



**HAMMOND
ELECTRONICS**

52 RANKIN PLACE,
WATERLOO, ONTARIO, N2L 3Z5.

PHONE (519) 886-6181
FAX # (519) 886-9540

| TITLE | | | |
|-------------------|----------|----------|-------------------|
| POWER TRANSFORMER | | | |
| | | | DR BY IOAN POP |
| 1 | 08/11/09 | RELEASED | DATE 05/12/09 |
| NO | DATE | REVISION | DIM IN(X)MM() |

290HX