

Excellent Integrated System Limited

Stocking Distributor

Click to view price, real time Inventory, Delivery & Lifecycle Information:

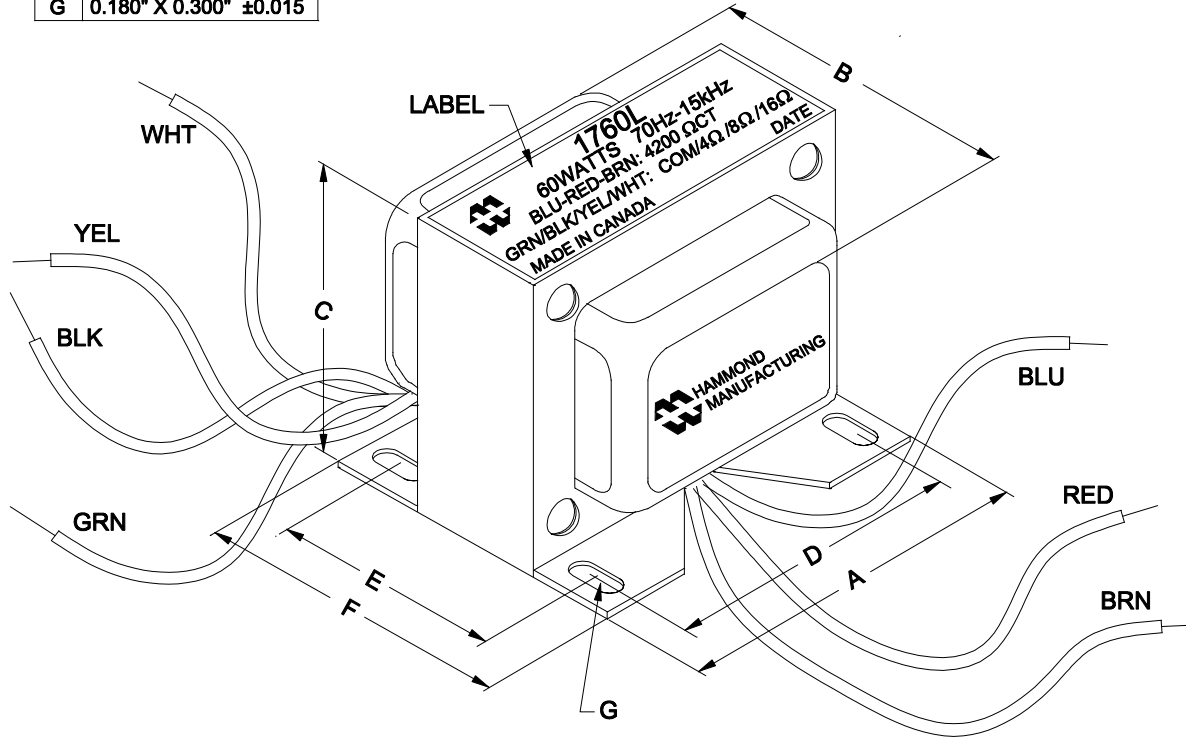
[Hammond Manufacturing](#)
[1760L](#)

For any questions, you can email us directly:

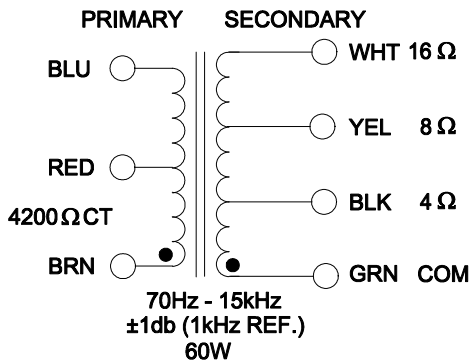
sales@integrated-circuit.com

1760L

DIMENSIONS	
A	4.050" ±0.063
B	3.150" ±0.125
C	3.130" ±0.063
D	3.500" ±0.063
E	1.955" ±0.063
F	2.480" ±0.063
G	0.180" X 0.300" ±0.015



NOTE: ALL LEADS 9.0" OUT MIN.



ELECTRICAL DATA:

Turns ratio:	31.16 : 1
Inductance	@240V,60Hz =>106.10H (Open circuit)
DCR	@ 20°C, BRN - RED = 46.48 Ω ±20%
	@ 20°C, RED - BLU = 51.04 Ω ±20%
	@ 20°C, GRN - BLK = 0.252 Ω ±20%
	@ 20°C, GRN - YEL = 0.480 Ω ±20%
	@ 20°C, GRN - WHT = 0.714 Ω ±20%
FREQ. RESP	@ 60W, 70Hz - 15kHz REF. TO 1kHz ±1dB
Pri. Impedance	4200 Ω CT, 458 V
Sec. Impedance	4/8/16 Ω (14.14V/20V/28.28V)
Power	60 WATTS

HAMMOND ELECTRONICS
52 RANKIN PLACE,
WATERLOO, ONTARIO, N2L 3Z5.
PHONE (519) 886-6181
FAX # (519) 886-9540

TITLE				1760L
1760L				
2	05/24/16	Corrected specifications	D.H. DR BY B.Pervaiz	
1	07/11/14	REVISED DIMENSIONS.	C.I. DATE 08/25/09	
NO	DATE	REVISION	DIM IN(X)MM()	