

## Excellent Integrated System Limited

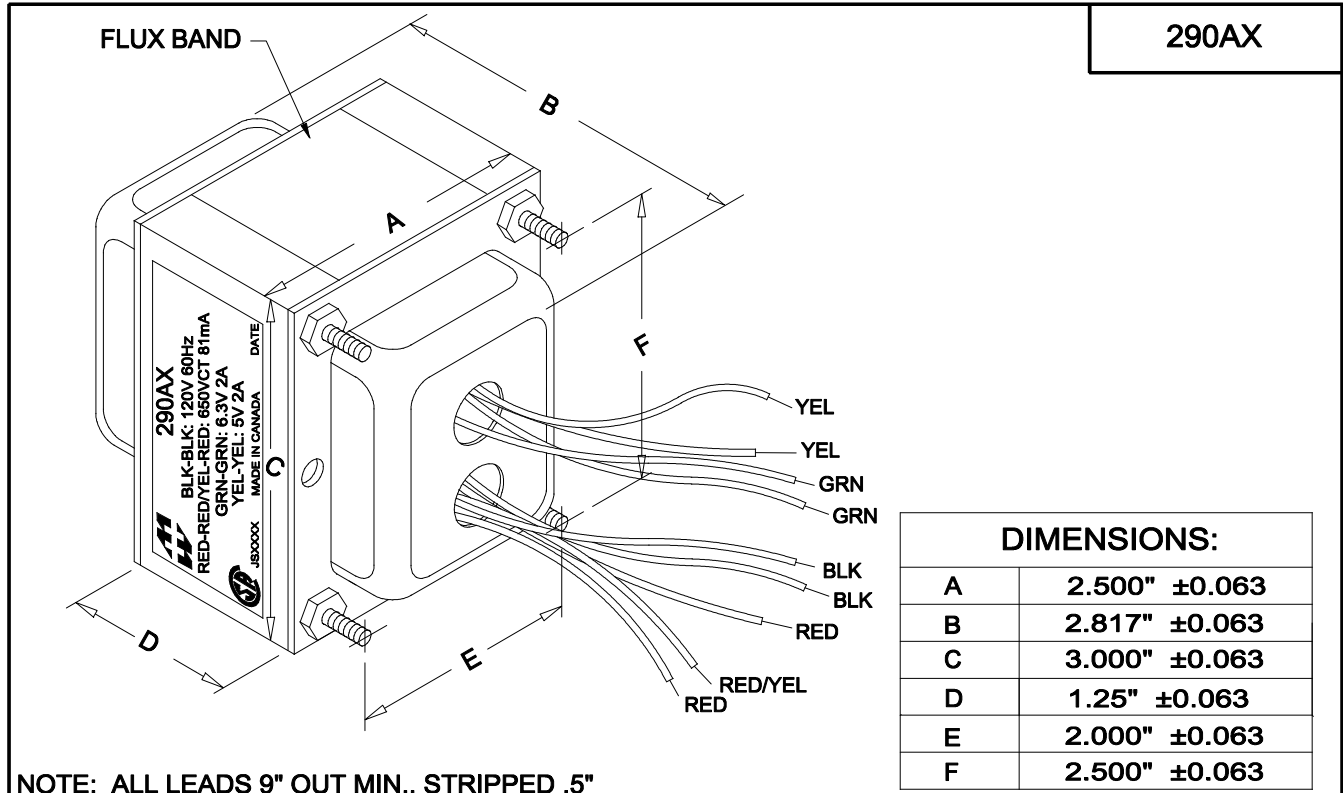
Stocking Distributor

Click to view price, real time Inventory, Delivery & Lifecycle Information:

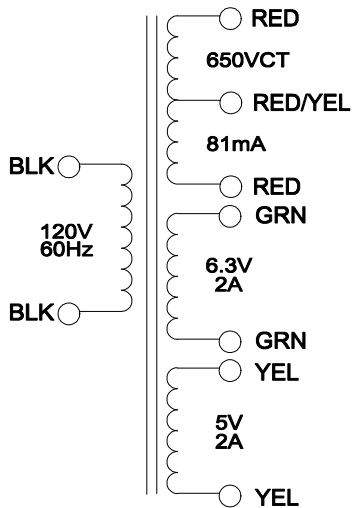
[Hammond Manufacturing](#)  
[290AX](#)

For any questions, you can email us directly:

[sales@integrated-circuit.com](mailto:sales@integrated-circuit.com)



**PRIMARY SECONDARY**



ELECTRICAL DATA:	
Turns ratio:	1 : 5.82 ( RED - RED )
Exciting Current	@ 120V, 60Hz, BLK - BLK = 175mA Max.
DCR	@ 20C, BLK - BLK = 4.892 Ω ±20%
	@ 20C, RED - RED = 333.2 Ω ±20%
	@ 20C, GRN - GRN = 0.108 Ω ±20%
	@ 20C, YEL - YEL = 0.088 Ω ±20%
Pri. Voltage	120V 60Hz
Sec. Voltage (RMS)	650VCT @ 81mA / 6.3V @ 2A / 5V @ 2A
No Load Voltage	698.6VCT / 6.76V / 5.3V

**HAMMOND ELECTRONICS**  
52 RANKIN PLACE,  
WATERLOO, ONTARIO, N2L 3Z5.  
PHONE (519) 886-6181  
FAX # (519) 886-9540

TITLE				
<b>POWER TRANSFORMER</b>				
2	03/22/10	Dimension correction	DH	DR BY IOAN POP
1	08/11/09	PRELIMINARY.	I.P.	DATE 05/12/09
NO	DATE	REVISION		DIM IN(X)MM( )

**290AX**