

Excellent Integrated System Limited

Stocking Distributor

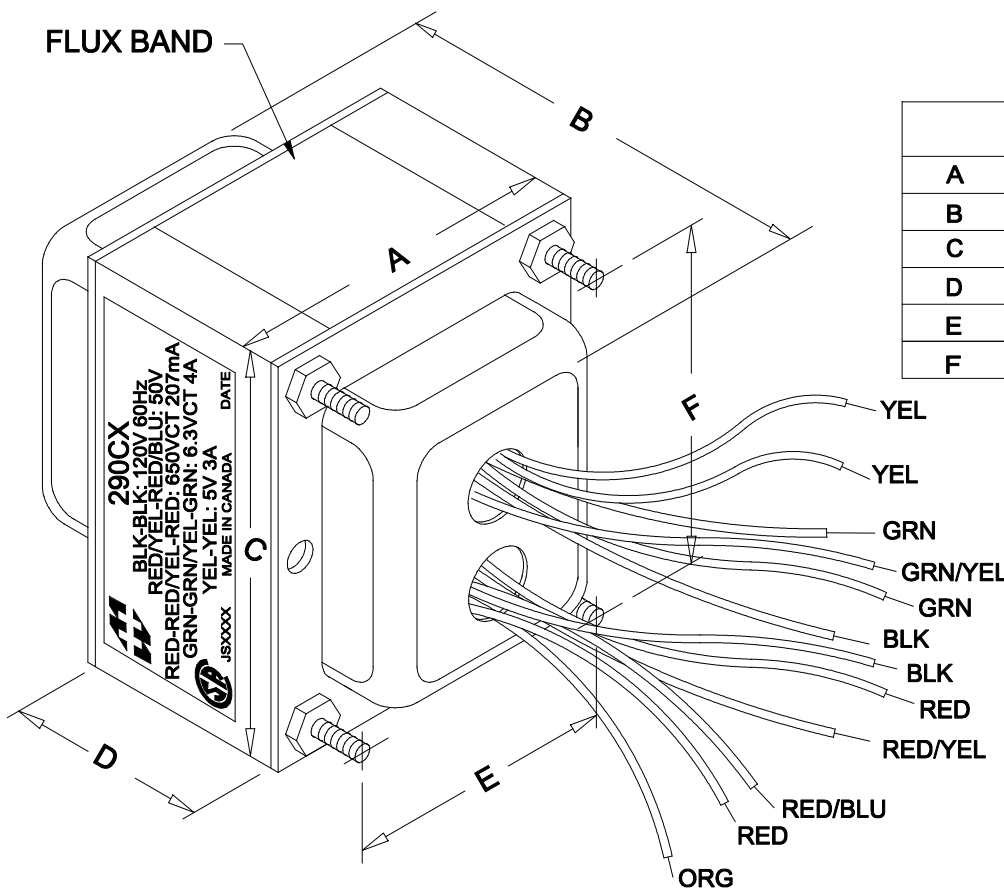
Click to view price, real time Inventory, Delivery & Lifecycle Information:

[Hammond Manufacturing](#)
[290CX](#)

For any questions, you can email us directly:

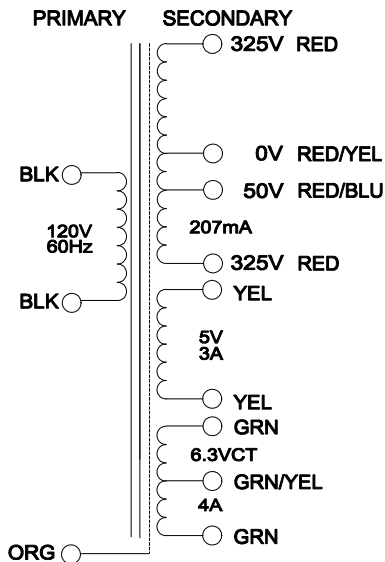
sales@integrated-circuit.com

290CX



| DIMENSIONS: | |
|-------------|---------------|
| A | 3.125" ±0.063 |
| B | 4.063" ±0.125 |
| C | 3.750" ±0.063 |
| D | 1.975" ±0.063 |
| E | 2.500" ±0.063 |
| F | 3.125" ±0.063 |

NOTE: ALL LEADS 9" OUT MIN., STRIPPED .5"



ELECTRICAL DATA:

| | | |
|--------------------|---|------|
| Turns ratio: | 1 : 5.96 (RED - RED) | |
| Exciting Current | @ 120V, 60Hz, BLK - BLK = 258mA | Max. |
| DCR | @ 20C, BLK - BLK = 1.539 Ω | ±20% |
| | @ 20C, RED - RED = 83.99 Ω | ±20% |
| | @ 20C, YEL - YEL = 0.041 Ω | ±20% |
| | @ 20C, GRN - GRN = 0.054 Ω | ±20% |
| Pri. Voltage | 120V 60Hz | |
| Sec. Voltage (RMS) | 650VCT @ 207mA C/W 50V TAP, 5V @ 3A / 6.3VCT @ 4A | |
| No Load Voltage | 715.18VCT / 5.30V / 6.75V | |

HAMMOND ELECTRONICS
 52 RANKIN PLACE,
 WATERLOO, ONTARIO, N2L 3Z5.
 PHONE (519) 886-6181
 FAX # (519) 886-9540

TITLE

290CX

290CX

| | | | | |
|----|----------|-------------------------|------|-------------------|
| 2 | 08/11/09 | Updated Electrical Data | I.P. | DR BY IOAN POP |
| 1 | 05/12/09 | PRELIMINARY | I.P. | DATE 07/04/08 |
| NO | DATE | REVISION | | DIM IN(X)MM () |