

Excellent Integrated System Limited

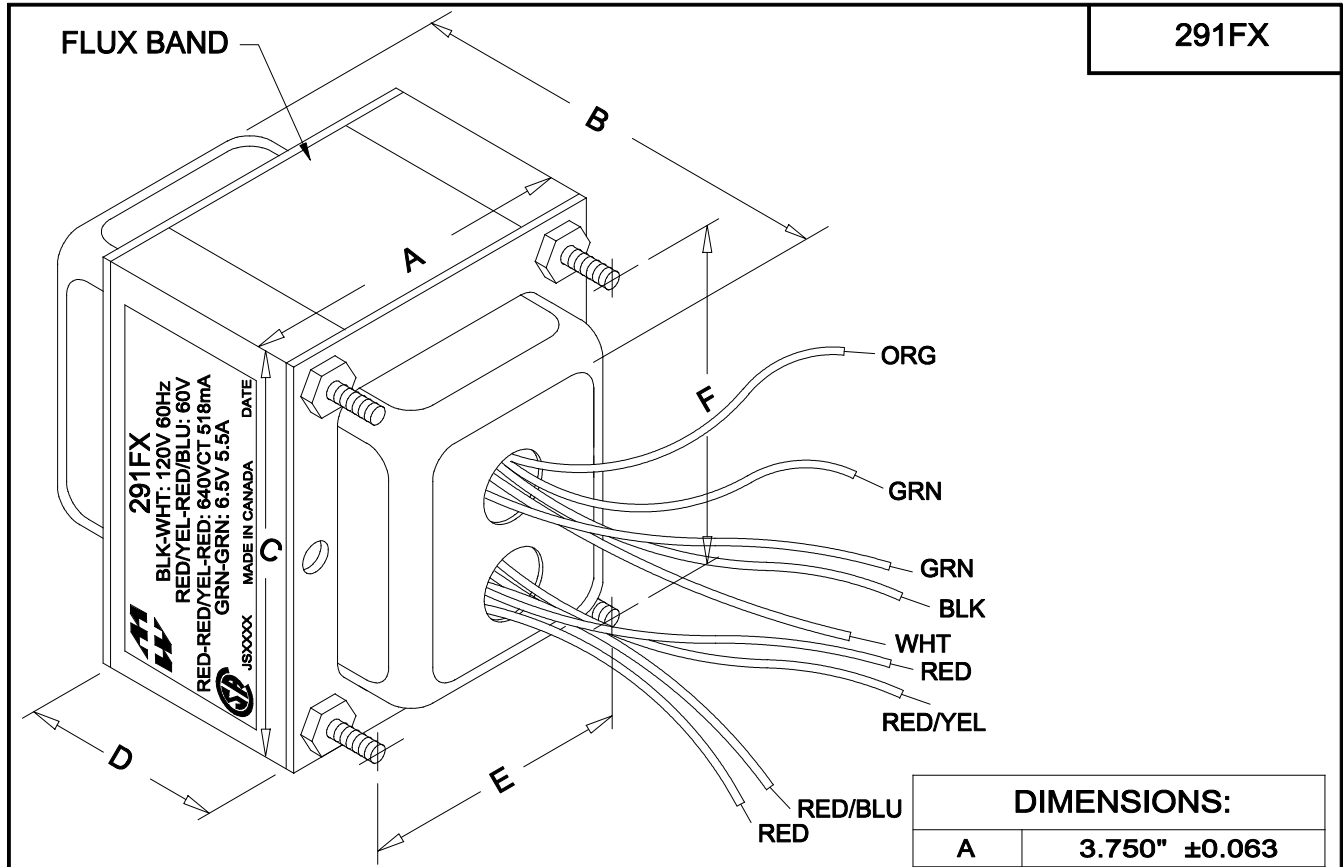
Stocking Distributor

Click to view price, real time Inventory, Delivery & Lifecycle Information:

[Hammond Manufacturing](#)
[291FX](#)

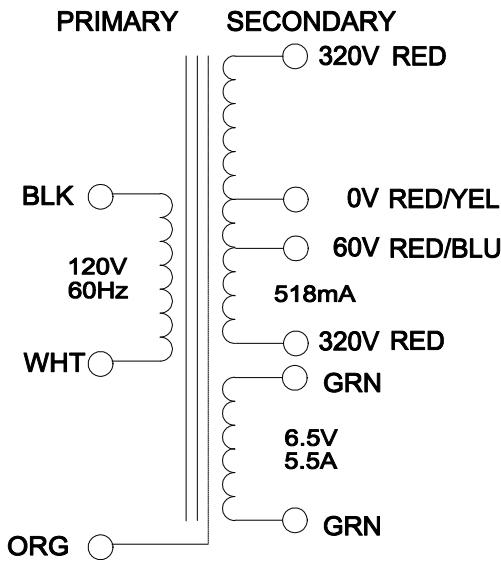
For any questions, you can email us directly:

sales@integrated-circuit.com



NOTE: ALL LEADS 9" OUT MIN., STRIPPED .5"

| DIMENSIONS: | |
|-------------|---------------|
| A | 3.750" ±0.063 |
| B | 4.690" ±0.125 |
| C | 4.500" ±0.063 |
| D | 2.370" ±0.063 |
| E | 3.000" ±0.063 |
| F | 3.750" ±0.063 |



| ELECTRICAL DATA: | |
|--------------------|---|
| Turns ratio: | 1 : 5.54 (RED - RED) |
| Exciting Current | @ 120V, 60Hz, BLK - WHT = 500mA Max. |
| DCR | @ 20C, WHT - BLK = 0.785 Ω ±20% |
| | @ 20C, RED - RED = 20.82 Ω ±20% |
| | @ 20C, GRN - GRN = 0.038 Ω ±20% |
| Pri. Voltage | 120V 60Hz |
| Sec. Voltage (RMS) | 640VCT @ 517.5mA C/W 60V TAP, 6.5V @ 5.5A |
| No Load Voltage | 665.26VCT/ 7.02V |

HAMMOND ELECTRONICS

52 RANKIN PLACE,
WATERLOO, ONTARIO, N2L 3Z5.
PHONE (519) 886-6181
FAX # (519) 886-9540

| | | | | |
|-------|------|----------|--------------------|-------|
| TITLE | | 291FX | | 291FX |
| | | | DR BY B.Pervaiz | |
| | | | DATE 08/25/09 | |
| NO | DATE | REVISION | DIM IN(X)MM() | |