

Excellent Integrated System Limited

Stocking Distributor

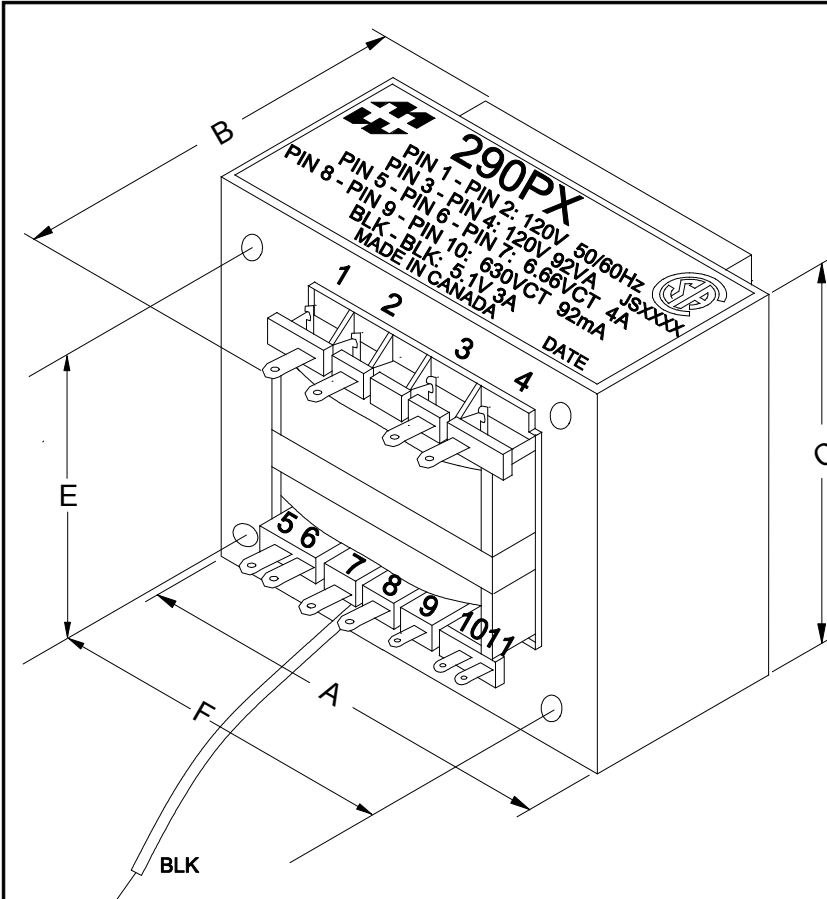
Click to view price, real time Inventory, Delivery & Lifecycle Information:

[Hammond Manufacturing
290PX](#)

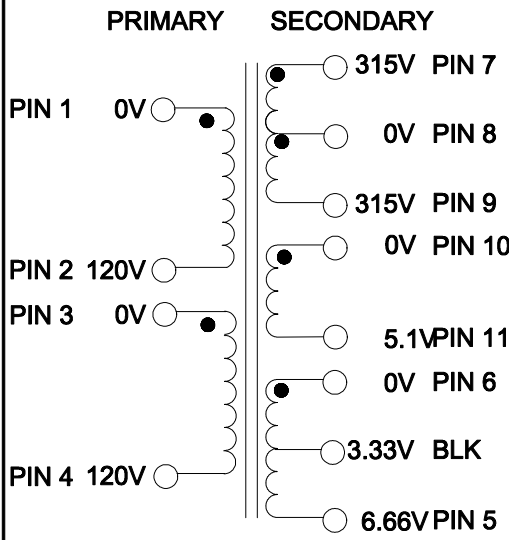
For any questions, you can email us directly:

sales@integrated-circuit.com

290PX



DIMENSIONS:	
A	3.780" ±0.063
B	3.000" ±0.063
C	3.16" ±0.063
LEADS	11.00" MIN
E	2.500" ±0.063
F	3.125" ±0.063
G	0.219" ±0.063



ELECTRICAL DATA:	
Turns ratio:	1 : 5.57 (PIN7 - PIN9)
Exciting Current	@ 120V, 60Hz, Pin 1 - Pin 2 = 142.00 mA Max.
DCR	@ 25C, Pin 1 - Pin 2 = 6.784 Ω ±20%
	@ 25C, Pin 3 - Pin 4 = 8.055 Ω ±20%
	@ 25C, Pin 7 - Pin 9 = 236.863 Ω ±20%
	@ 25C, Pin 5 - Pin 6 = 0.054 Ω ±20%
	@ 25C, Pin 10 - Pin 11 = 0.079 Ω ±20%
Pri. Voltage	120V/120V 50/60Hz
Sec. Voltage (RMS)	630VCT @ 92mA / 5.1VCT @ 3A / 6.66VCT @ 4A
No Load Voltage	669VCT / 5.47VCT / 7.29VCT



HAMMOND ELECTRONICS
52 RANKIN PLACE,
WATERLOO, ONTARIO, N2L 3Z5.
PHONE (519) 886-6181
FAX # (519) 886-9540

TITLE			
POWER TRANSFORMER			
			DR BY IOAN POP
1	08/11/09	PRELIMINARY.	I.P. DATE 05/12/09
NO	DATE	REVISION	DIM IN(X)MM()

290PX