

Excellent Integrated System Limited

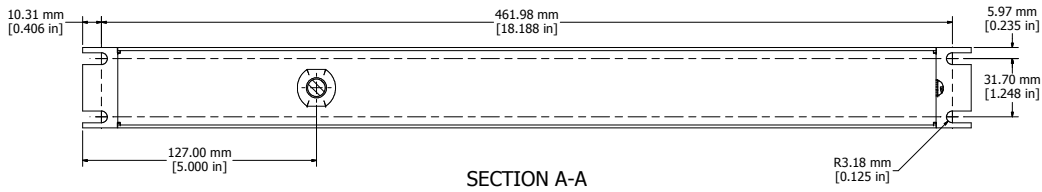
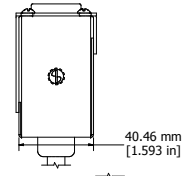
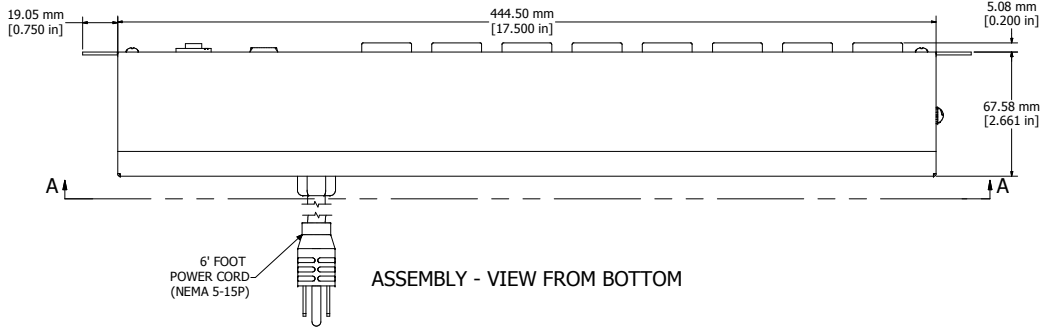
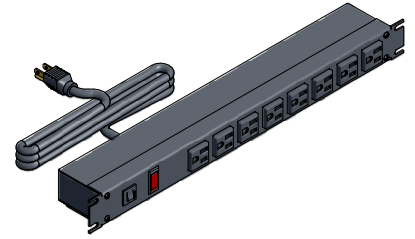
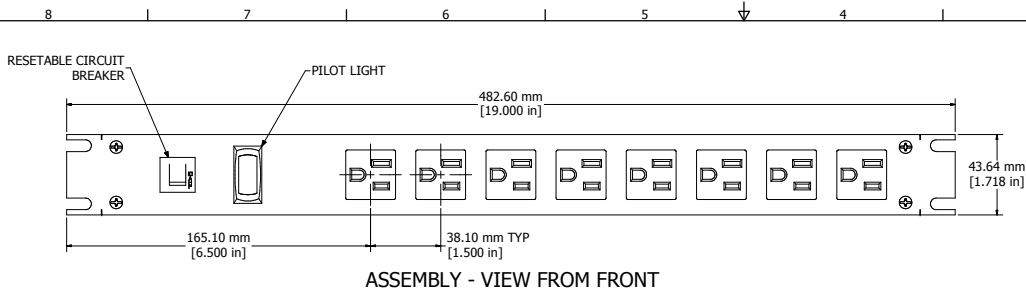
Stocking Distributor

Click to view price, real time Inventory, Delivery & Lifecycle Information:

[Hammond Manufacturing](#)
[1582T8B1](#)

For any questions, you can email us directly:

sales@integrated-circuit.com



| |
|--|
| 1582T8A1BK |
| Finish - Front - Black Painted Steel |
| Back - Black Painted Steel |
| Rated - 125 VAC, 60 Hz, 15 Amps |
| Approvals - CSA Certified Standards C22.2 (No. 21-95, 42-99) |
| - UL Recognized Standard UL1363 |
| Colours & Cord Length |
| 1582T8A1BK - Black w/ 6' Foot Power Cord (NEMA 5-15P) |
| 1582T8A1 - ASA 61 Grey w/ 6' Foot Power Cord (NEMA 5-15P) |
| 1582T8B1BK - Black w/ 15' Foot Power Cord (NEMA 5-15P) |
| 1582T8B1 - ASA 61 Grey w/ 15' Foot Power Cord (NEMA 5-15P) |

