

Excellent Integrated System Limited

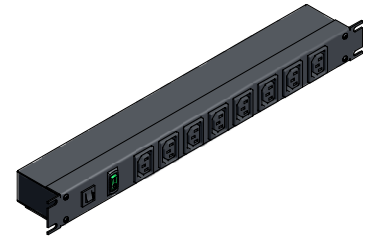
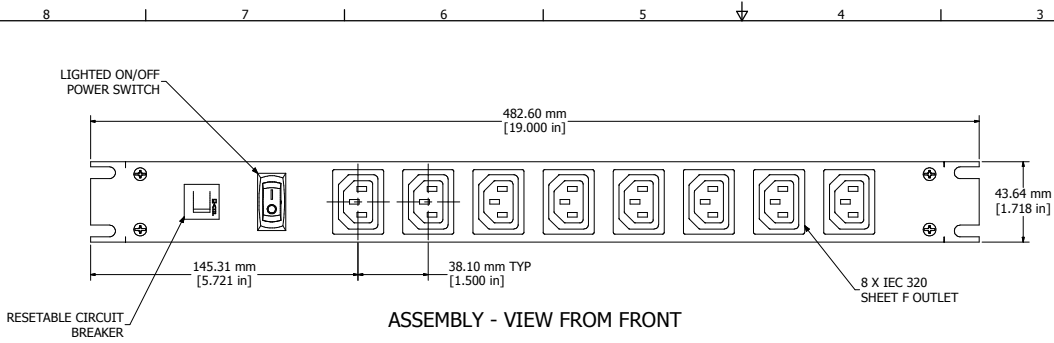
Stocking Distributor

Click to view price, real time Inventory, Delivery & Lifecycle Information:

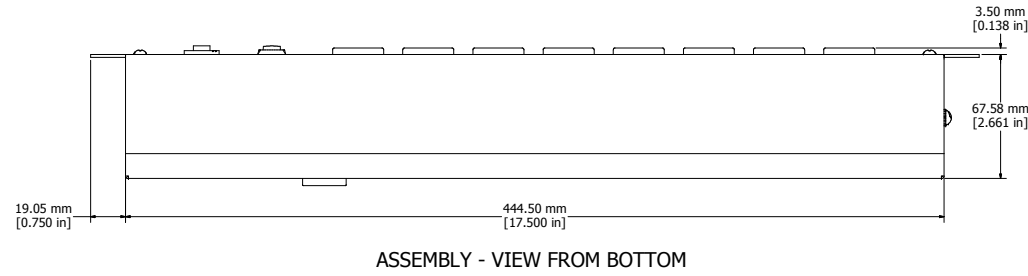
[Hammond Manufacturing](#)
[1582H8E1BK](#)

For any questions, you can email us directly:

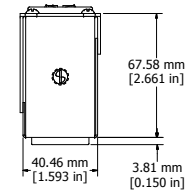
sales@integrated-circuit.com



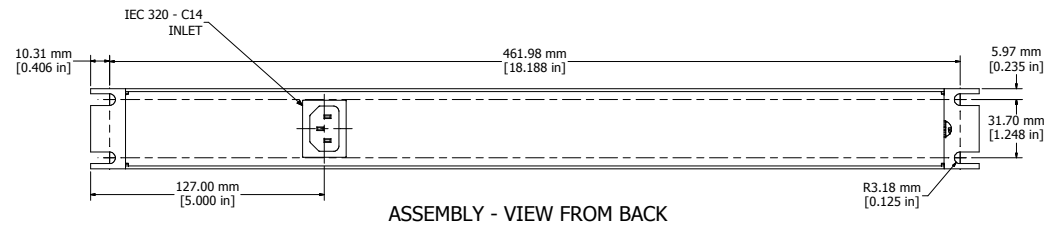
ISOMETRIC VIEW



ASSEMBLY - VIEW FROM BOTTOM



ASSEMBLY - VIEW FROM SIDE



ASSEMBLY - VIEW FROM BACK

1582H8E1BK	
Finish - Front	- Black Painted Steel
Finish - Back	- Black Painted Steel
Rated	- 230 VAC, 50/60 Hz, 10 Amps
Approvals	- CSA Certified Standards C22.2 (No. 21-95, 42-99)
	- cULus Listed Standards UL60950 & CSA C22.2 No. 60950
	- TÜV-GS Certified Standard EN60950-1
	- CE Certified Registration #: AN 72031916 0001

