

Excellent Integrated System Limited

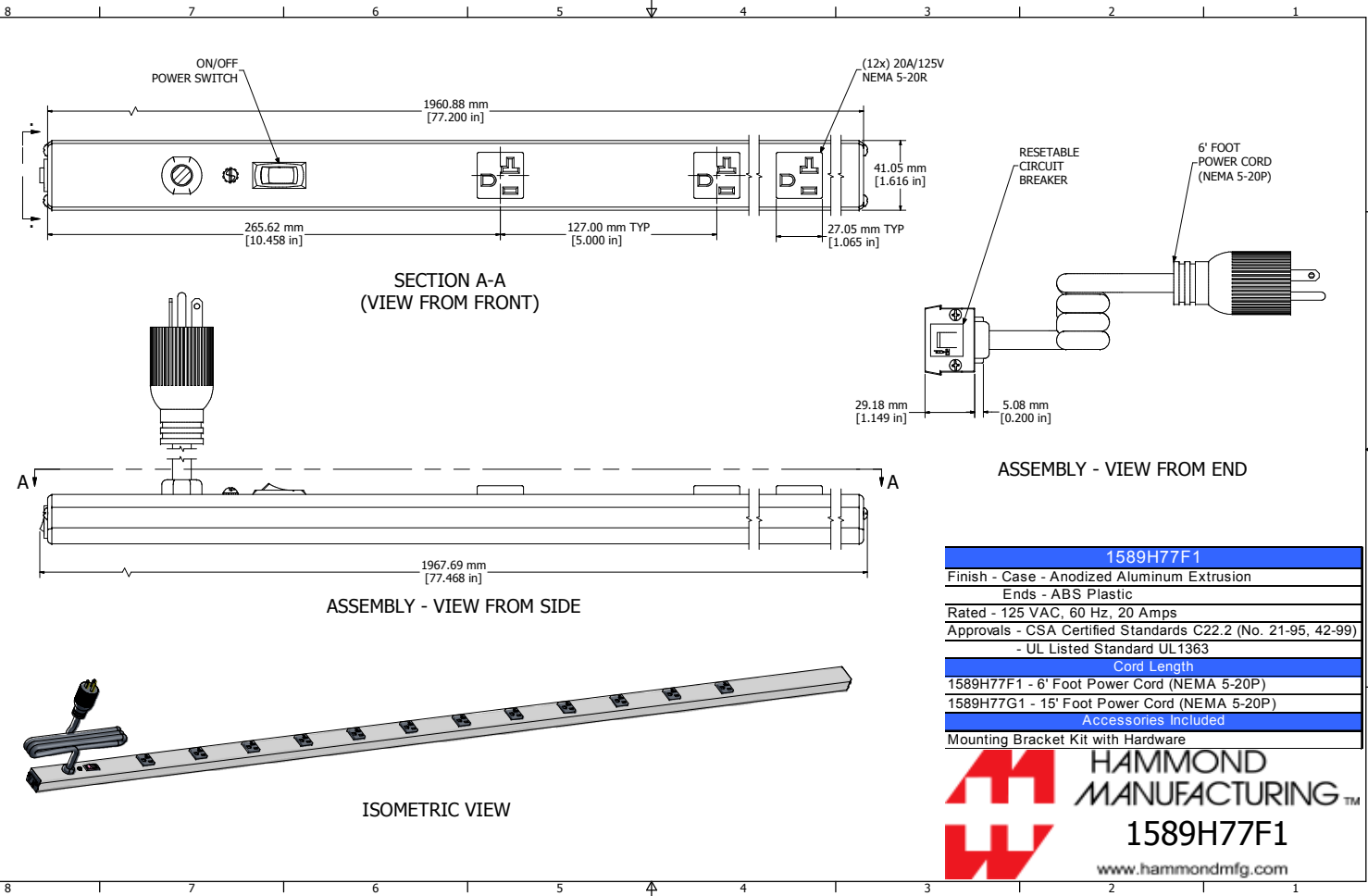
Stocking Distributor

Click to view price, real time Inventory, Delivery & Lifecycle Information:

[Hammond Manufacturing](#)
[1589H77F1BK](#)

For any questions, you can email us directly:

sales@integrated-circuit.com



1589H77F1	
Finish - Case - Anodized Aluminum Extrusion	Ends - ABS Plastic
Rated - 125 VAC, 60 Hz, 20 Amps	
Approvals - CSA Certified Standards C22.2 (No. 21-95, 42-99)	
- UL Listed Standard UL1363	
Cord Length	
1589H77F1 - 6' Foot Power Cord (NEMA 5-20P)	1589H77G1 - 15' Foot Power Cord (NEMA 5-20P)
Accessories Included	
Mounting Bracket Kit with Hardware	

