

Excellent Integrated System Limited

Stocking Distributor

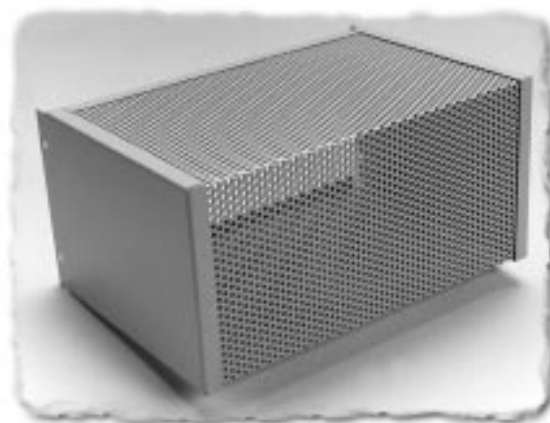
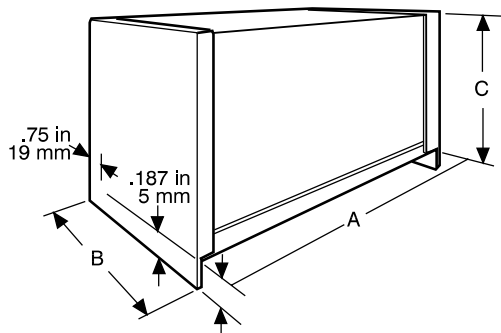
Click to view price, real time Inventory, Delivery & Lifecycle Information:

[Hammond Manufacturing](#)
[1451-29](#)

For any questions, you can email us directly:

sales@integrated-circuit.com

Steel Chassis Cover (1451 Series)



KEY FEATURES

- For use with the 1441 and 1444 series chassis.
- 20 gauge steel ends welded to a perforated steel wrapper.
- ASA 61 grey baked enamel finish.
- 4 self-tapping screws included.
- Replacement screws **1421J6** (Pkg. of 6, 6-32 Philips head screws).

Part Number		Units	Dimensions			Use with Chassis
ASA61 Gray	Satin Black		A	B	C	
1451-10	1451-10BK3	inch mm	8 203	4 102	5.2 132	4 x 8
1451-14	1451-14BK3	inch mm	9 228	5 127	5.2 132	5 x 9
1451-16	1451-16BK3	inch mm	10 254	6 152	5.2 132	6 x 10
1451-29	1451-29BK3	inch mm	10 254	12 305	5.2 132	10 x 12
1451-22	1451-22BK3	inch mm	12 305	8 203	5.2 132	8 x 12
1451-26	1451-26BK3	inch mm	16 406	8 203	5.2 132	8 x 16
1451-30	1451-30BK3	inch mm	17 432	10 254	5.2 132	10 x 17

Metal

