

Excellent Integrated System Limited

Stocking Distributor

Click to view price, real time Inventory, Delivery & Lifecycle Information:

[Comair Rotron](#)
[19028887A](#)

For any questions, you can email us directly:
sales@integrated-circuit.com

SPECIFICATIONS

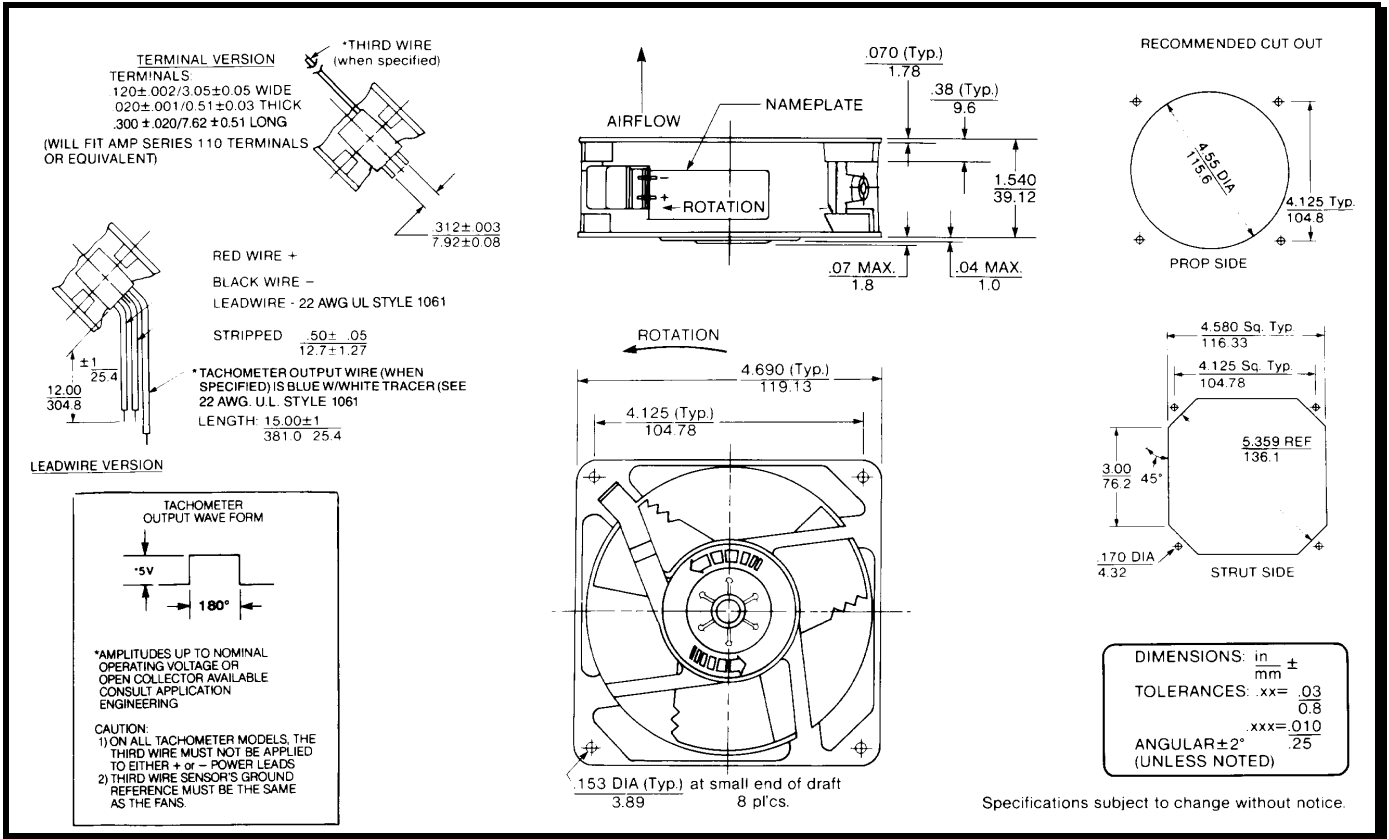
(RoHS Compliant)

Part Number: 1902887A
 Model Number: MD48B5

Drawing Number: 26007403A 01
 Jan.25.2013



Mechanical Drawing:



Motor:

Nominal Voltage = 48 vdc
 Operating Voltage Range = 24 – 56 vdc
 Nominal Running Current = 0.120 amps
 Locked Rotor Current = 0.400 amps
 Running Power = 5.8 watts
 Average Speed = 3100 rpm
 Bearings = Ball
 Air Flow = 110 CFM
 Acoustic = 50.0 dBA

Construction:

Venturi: Die-Cast Zinc Alloy, Black
 Propeller: Plastic, Black, UL 94V-0

Agency Certifications:

UL, CE

Life Expectancy:

This fan is designed for continuous duty life of 83,000 hours at 40°C.

Additional Features:

Brushless DC Motor
 Automatic Restart Capability
 Locked Rotor Protection
 Polarity Protected
 Operating Temperature: -10°C to 70°C
 Storage Temperature: -40°C to 85°C

Tachometer Output:

Output: 5 volt TTL Compatible
 I_c: 5mA Typical
 Pulses per Revolution: 1
 Isolated: No

Termination:

12" Lead wires, 22 AWG, UL 1061
 Red = Power (+)
 Black = Return (-)
 Blue/White = Tachometer (Output)