

## Excellent Integrated System Limited

Stocking Distributor

Click to view price, real time Inventory, Delivery & Lifecycle Information:

[Amphenol RF](#)  
[919-NM104P-51A](#)

For any questions, you can email us directly:

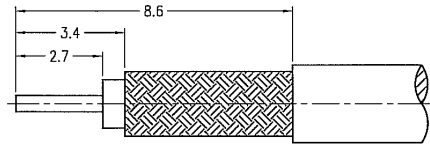
[sales@integrated-circuit.com](mailto:sales@integrated-circuit.com)



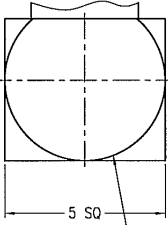
**Distributor of Amphenol RF: Excellent Integrated System Limited**  
**Datasheet of 919-NM104P-51A - CONN MCX PLUG R/A 50 OHM SOLDER**

- NOTES:
- MATERIALS AND FINISHES(PLATING THICKNESS IN MICRO-INCHES):  
 BODY AND CAP - BERYLLIUM COPPER, WHITE BRONZE PLATING (COPPER-TIN-ZINC)  
 CONTACT - BERYLLIUM COPPER, GOLD PLATING  
 INSULATORS - DELRIN & TEFLON  
 FERRULE - COPPER, WHITE BRONZE PLATING (COPPER-TIN-ZINC)
  - ELECTRICAL:  
 A. IMPEDANCE: 50 OHM  
 B. FREQUENCY RANGE: DC 0-6 GHz  
 C. VSWR(RETURN LOSS): 1.5 MAX.  
 D. DIELECTRIC WITHSTANDING VOLTAGE: 1000 VRMS, MIN.
  - MECHANICAL:  
 A. DURABILITY: 500 CYCLES MIN.  
 B. TEMPERATURE RANGE: - 40°C to +155°C
  - OTHER:  
 A. CRIMPED FERRULE: HEX CRIMP SIZE .128"  
 B. SOLDER CENTER CONDUCTOR  
 C. INSTALL DISC INSULATOR  
 D. PRESS FIT METAL COVER

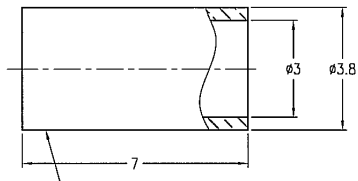
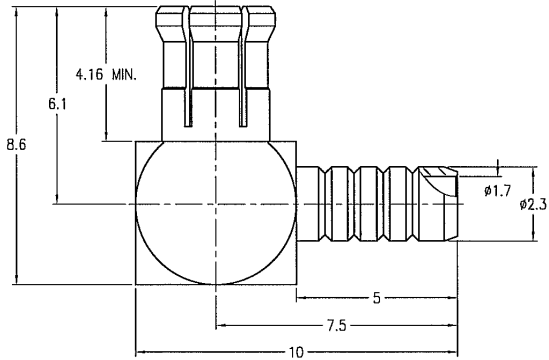
919-NM104P-51A		REVISIONS			
PART NO.	REV	DESCRIPTION	DATE	ECO	APPR
THIRD ANGLE PROJ.	A	RELEASE TO MFG.	8/8/06	46108	CISSY



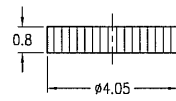
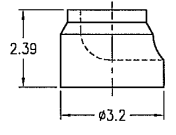
RECOMMENDED  
CABLE STRIPPING DIM'S



THIS SURFACE MARKED "NM"  
TO SIGNIFY NON-MAGNETIC CONNECTORS



THIS SURFACE MARKED "NM"  
TO SIGNIFY NON-MAGNETIC CONNECTORS



**CUSTOMER OUTLINE DRAWING**  
ALL OTHER SHEETS ARE FOR INTERNAL USE ONLY

UNLESS OTHERWISE SPECIFIED, DIMENSIONS ARE IN METRIC AND TOLERANCES ARE: 0.5 - 6mm ±0.1mm    6 - 30mm ±0.2mm    30 - 120mm ±0.3mm    ANGLES ±1°	MATERIAL	DRAWN CISSY ENGINEER GEFFERY APPROVED <i>[Signature]</i> CAD FILE F:\DWG\CNPD\919\NM104P\51ASZ	DATE 08-Aug-06 DATE 08-Aug-06 DATE 8-8-06	TITLE MCX R/A CRIMP PLUG NON MAGNETIC (FOR RG-174/U,188A/U,316/U)	Amphenol RF Danbury CT USA, Tainan Taiwan, Shenzhen China www.amphenolrf.com
	REFERENCE 919-104P-51A1X	SCALE: 6/1 DWG SIZE B CODE 10 74868 REV A	SHEET 1 OF 1	DRAWING NO. ITEM NO. PART NO. 919-NM104P-51A	

NOTICE - These drawings, specifications, or other data (1) are, and remain the property of Amphenol Corp. (2) must be returned upon request; and (3) are confidential and not to be disclosed to any person other than those to whom they are given by Amphenol Corp. The furnishing of these drawings, specifications, or other data by Amphenol Corp., or to any other person for any purpose is not to be regarded by implication or otherwise in any manner licensing, granting rights or permitting such holder or any other person to manufacture, use or sell any product, process or design, patented or otherwise, that may in any way be related to or disclosed by said drawings, specifications, or other data.