

Excellent Integrated System Limited

Stocking Distributor

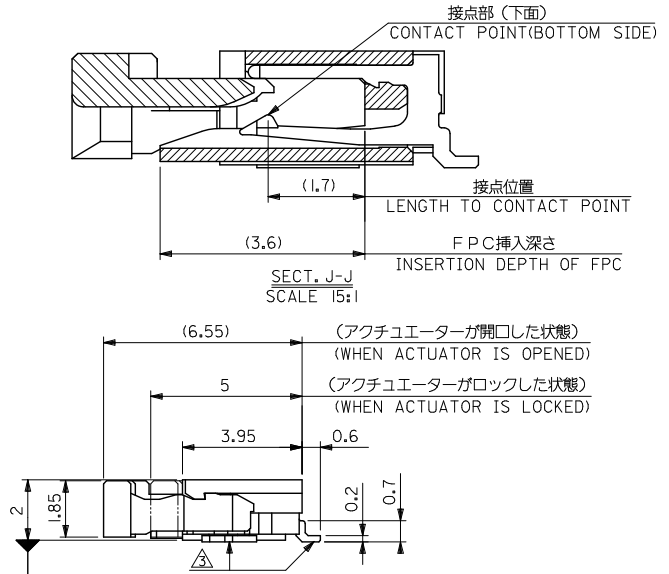
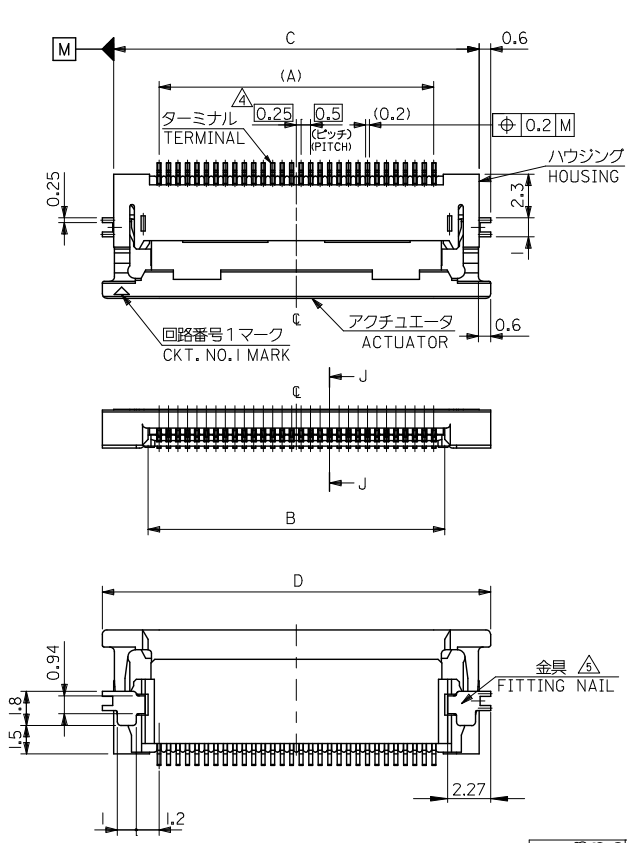
Click to view price, real time Inventory, Delivery & Lifecycle Information:

[Molex Connector Corporation](#)
[0541324062](#)

For any questions, you can email us directly:

sales@integrated-circuit.com

10 9 8 7 6 5 4 3 2 1

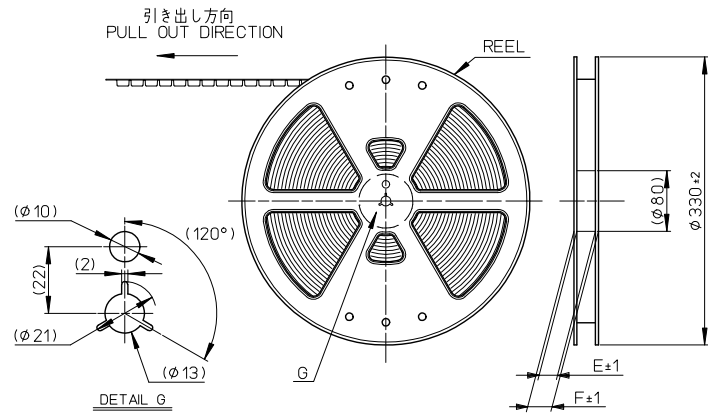


30.5	29.3	25.65	24.5	54132-5062	50
28.0	26.8	23.15	22.0	54132-4562	45
27.0	25.8	22.15	21.0	54132-4362	43
25.5	24.3	20.65	19.5	54132-4062	40
24.5	23.3	19.65	18.5	54132-3862	38
23.5	22.3	18.65	17.5	54132-3662	36
23.0	21.8	18.15	17.0	54132-3562	35
22.5	21.3	17.65	16.5	54132-3462	34
22.0	20.8	17.15	16.0	54132-3362	33
21.5	20.3	16.65	15.5	54132-3262	32
20.5	19.3	15.65	14.5	54132-3062	30
D	C	B	A	EMBOSSSED TAPE ORDER No. オ-ダ-番号 CKT.	

CONNECTOR SERIES NO. : 54132-***68

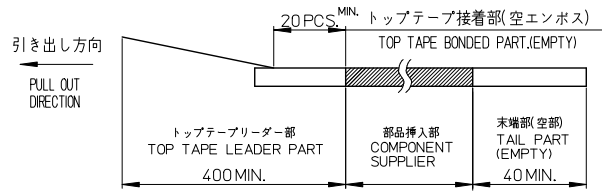
REVISED EC NO. J2011-0041 DRAWN BY T. DR. W. YOSHINO 2010/07/08 CHKD BY CHIKOHI UJIMA 2010/07/08 APPR. MORIKAWA 2010/07/16	GENERAL TOLERANCES (UNLESS SPECIFIED)		DIMENSION STYLE MM ONLY		SCALE ---	DESIGN UNITS METRIC	THIRD ANGLE PROJECTION
	10 UNDER	± 0.2	DRAWN BY M. UMEDA	DATE 2004/09/27	TITLE 0.5 FPC CONN. ZIF SMT R/A BOTTOM CONTACT NI-BARRIER GOLD PLATING		
	10 OVER 30 UNDER	± 0.25	CHECKED BY K. TOYODA	DATE 2004/09/27	MOLEX INCORPORATED		
	30 OVER	± 0.3	APPROVED BY N. UKITA	DATE 2004/09/27	MATERIAL NO.	DOCUMENT NO. SD-54132-064	SHEET NO. 1 OF 2
ANGULAR ± 3 °		DRAFT WHERE APPLICABLE MUST REMAIN WITHIN DIMENSIONS		SEE TABLE			
THIS DRAWING CONTAINS INFORMATION THAT IS PROPRIETARY TO MOLEX INCORPORATED AND SHOULD NOT BE USED WITHOUT WRITTEN PERMISSION							

10 9 8 7 6 5 4 3 2 1



NOTE

1. 梱包数量 : 1500個/リール
NUMBER OF CONNECTORS : 1500PCS/REEL
2. リードテープ長さ
LEAD TAPE LENGTH



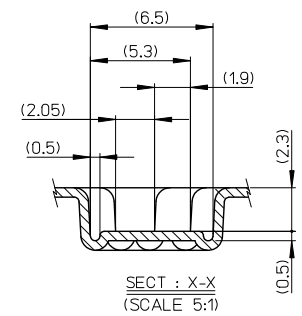
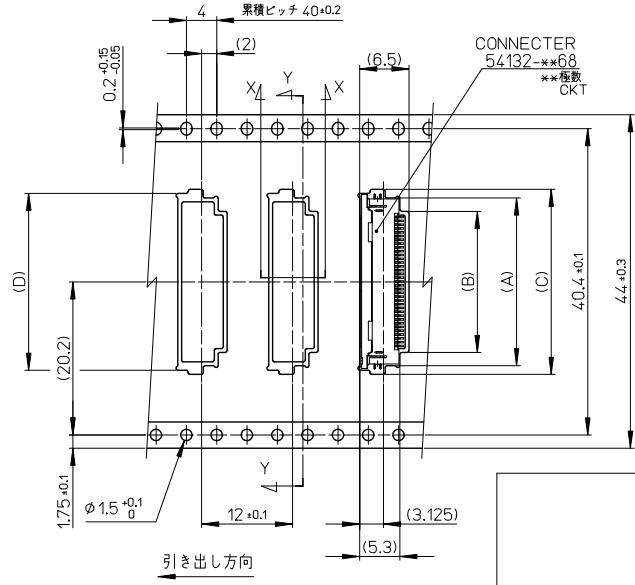
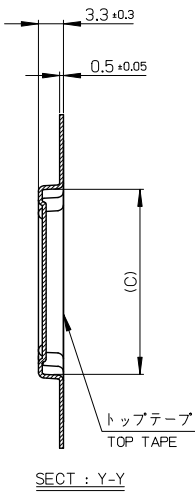
3. カバーテープの はく離強度については、IEC60286-3に準拠
COVER TAPE PEEL FORCE IS DEFINED BY IEC 60286-3.

4. 材料 キャリアテープ : ポリアロピレン(PP)
トップテープ : PET,PE,PEF
リール : ポリスチレン(PS) <リサイクル材を含む>
MATERIAL CARRIER TAPE : POLYPROPYLENE
TOP TAPE : PET,PE,PEF
REEL : POLYSTYRENE<RECYCLE MATERIAL CONTAINED>

5. ELV & RoHS適合品
ELV AND RoHS COMPLIANT

RELEASED IEC NO. J2011-0041 DRAWN BY: 2010/07/13 CHKD BY: 2010/07/13 APPR: 2010/07/16	GENERAL TOLERANCES (UNLESS SPECIFIED)		DIMENSION STYLE MM ONLY		SCALE ---	DESIGN UNITS METRIC	THIRD ANGLE PROJECTION
	10 UNDER	±---	DRAWN BY HYOSHINO	DATE 2010/07/13	TITLE 0.5 FPC CONN. ZIF SMT R/A BOTTOM CONTACT TAPING PACKAGE		
	10 OVER 30 UNDER	±---	CHECKED BY HIJIMA	DATE 2010/07/13	MOLEX INCORPORATED		
	30 OVER	±---	APPROVED BY KMORIKAWA	DATE 2010/07/16	DOCUMENT NO. SD-54132-065	SHEET NO. 1 OF 2	
0	ANGULAR ±---	DRAFT WHERE APPLICABLE MUST REMAIN WITHIN DIMENSIONS		SEE SHEET THIS DRAWING CONTAINS INFORMATION THAT IS PROPRIETARY TO MOLEX INCORPORATED AND SHOULD NOT BE USED WITHOUT WRITTEN PERMISSION			

10 9 8 7 6 5 4 3 2 1



44	49.4	45.4	30.8	31.9	26.1	29.6	54132-5062	50		
			28.3	29.4	23.6	27.1	54132-4562	45		
			27.3	28.4	22.6	26.1	54132-4362	43		
			25.8	26.9	21.1	24.6	54132-4062	40		
			24.8	25.9	20.1	23.6	54132-3862	38		
			23.8	24.9	19.1	22.6	54132-3662	36		
			23.3	24.4	18.6	22.1	54132-3562	35		
			22.8	23.9	18.1	21.6	54132-3462	34		
			22.3	23.4	17.6	21.1	54132-3362	33		
			21.8	22.9	17.1	20.6	54132-3262	32		
20.8	21.9	16.1	19.6	54132-3062	30					
キャリアテープ幅 CARRIR TAPE WIDTH			F	E	D	C	B	A	MATERIAL NO. (EMBOSS PKG)	CKT.

RELEASED IEC NO. J2011-0041 DRAWN BY: 2010/07/13 CHIKDHUJIMA APPROV: 2010/07/16 KNORIKAWA	GENERAL TOLERANCES (UNLESS SPECIFIED)		DIMENSION STYLE		SCALE	DESIGN UNITS	THIRD ANGLE PROJECTION
	10 UNDER	± ---	MM ONLY		---	METRIC	☉ □
	10 OVER 30 UNDER	± ---	DRAWN BY: HYOSHINO		DATE: 2010/07/13	TITLE: 0.5 FPC CONN. ZIF SMT R/A BOTTOM CONTACT TAPING PACKAGE	
	30 OVER	± ---	CHECKED BY: HIJIMA		DATE: 2010/07/13	MOLEX INCORPORATED	
	ANGULAR	± --- °	APPROVED BY: KNORIKAWA		DATE: 2010/07/16	DOCUMENT NO. SD-54132-065	
DRAFT WHERE APPLICABLE MUST REMAIN WITHIN DIMENSIONS		SIZE: A3	THIS DRAWING CONTAINS INFORMATION THAT IS PROPRIETARY TO MOLEX INCORPORATED AND SHOULD NOT BE USED WITHOUT WRITTEN PERMISSION				