

## Excellent Integrated System Limited

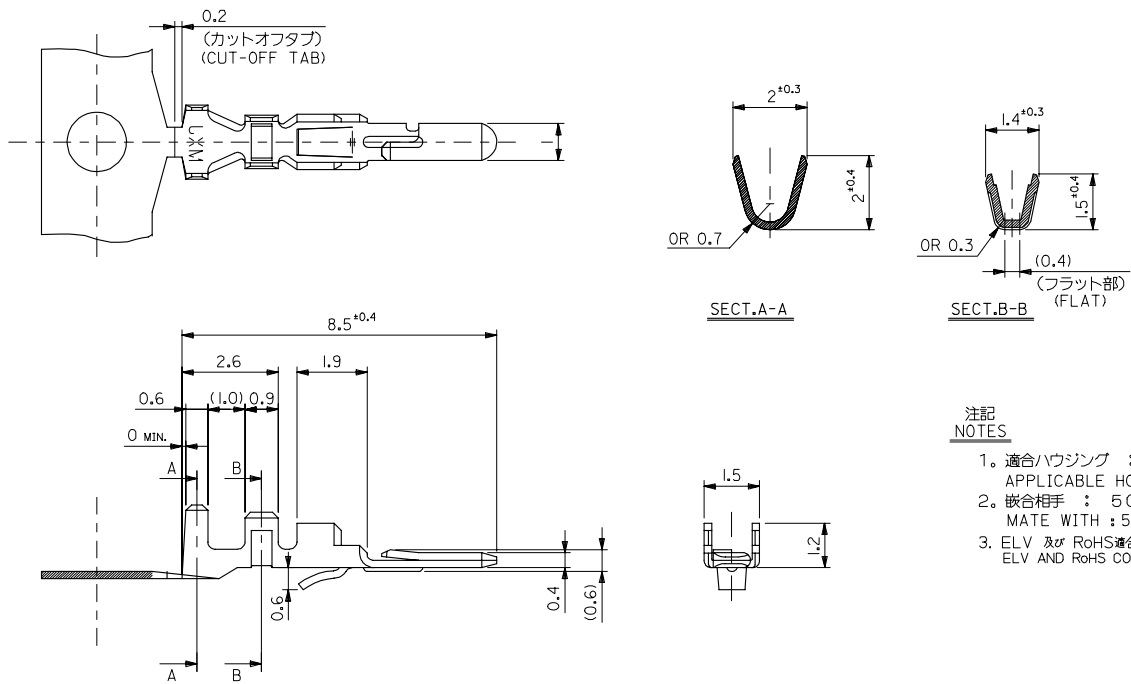
Stocking Distributor

Click to view price, real time Inventory, Delivery & Lifecycle Information:

[Molex Connector Corporation](#)  
[0500128000](#)

For any questions, you can email us directly:

[sales@integrated-circuit.com](mailto:sales@integrated-circuit.com)



注記  
NOTES

- 適合ハウジング : 51006  
APPLICABLE HOUSING : 51006
- 嵌合相手 : 50013  
MATE WITH : 50013
- ELV 及び RoHS適合品  
ELV AND RoHS COMPLIANT.

材料 MATERIAL	リン青銅 錫メッキ (t=0.2) PHOS. BRO. PRE-TINNED (t=0.2)
仕上げ FINISH	—
適用電線範囲 WIRE RANGE	AWG#24 ~ #28
被覆外径 INS. RANGE	φ0.9 - φ1.15

REVISED	EC NO. J2008-0075	2007/07/16
DRWN/MABEI	CHKD:THARUYAMA	2007/07/17
APPR:NIKIITA		2007/07/17
DESCRIPTION	GENERAL TOLERANCES (UNLESS SPECIFIED)	
	10 UNDER	±0.2
	10 OVER 30 UNDER	±0.25
	30 OVER	±0.3
	ANGULAR	±3 °
	DRAFT WHERE APPLICABLE MUST REMAIN WITHIN DIMENSIONS	

DIMENSION STYLE	MM ONLY
SCALE	10:1
DESIGN UNITS	METRIC
THIRD ANGLE PROJECTION	☑
DRAWN BY	T.YASUI
DATE	'95/08/21
CHECKED BY	H.HIRAMOTO
DATE	'95/08/22
APPROVED BY	M.FUKUSHIMA
DATE	'95/08/22
MATERIAL NO.	SEE TABLE
DOCUMENT NO.	SD-50012-001
SIZE	A3

MODEL NO.	50012-8*00
MATERIAL NO.	50012-8100
TITLE	2.0 WIRE TO WIRE CONN. CRIMP PIN
MOLEX INCORPORATED	
SHEET NO.	1 OF 1

50012-8100	バラ状 LOOSE
50012-8000	連鎖状 CHAIN
	端子形状 FORM