

Excellent Integrated System Limited

Stocking Distributor

Click to view price, real time Inventory, Delivery & Lifecycle Information:

[Molex Connector Corporation](#)
[0008700012](#)

For any questions, you can email us directly:

sales@integrated-circuit.com

10 9 8 7 6 5 4 3 2 1

F

E

D

C

B

A

F

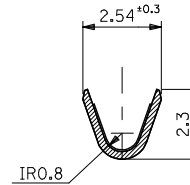
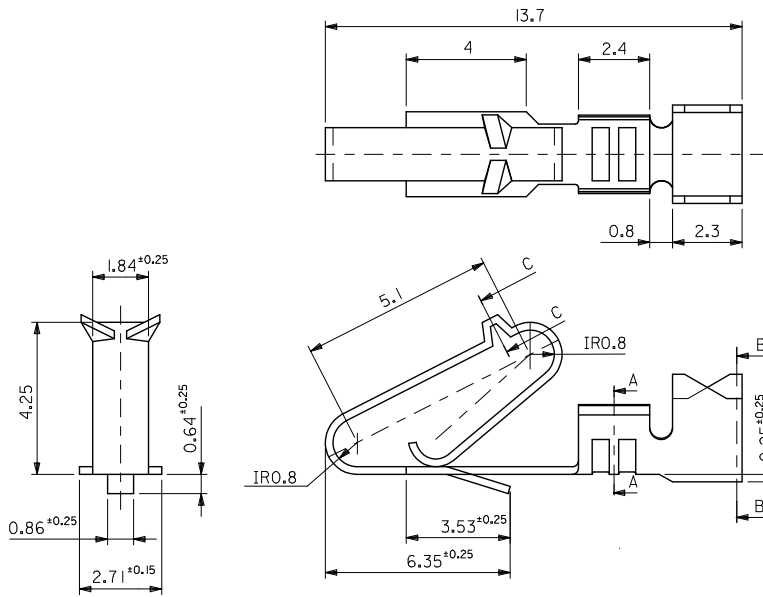
E

D

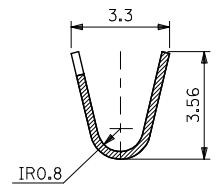
C

B

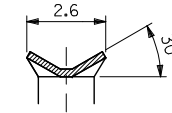
A



断面 A-A
SECTION A-A



断面 B-B
SECTION B-B



断面 C-C
SECTION C-C

注記
NOTE

一般公差: ±0.4
角度: ±3°
GENERAL TOLERANCES: ±0.4
ANGLE: ±3°

磷青銅 PHOSPHOR BRONZE	鍍メッキ TIN PLATING	08-70-1034	5167PBTL	バラ LOOSE
黄銅 BRASS	銅メッキ TIN OVER COPPER PLATING	08-70-0097	5167PBT	チェーン CHAIN
材料 MATERIAL	メッキ PLATE	EDP.NO.	ENG.NO.	形式 FORM

REVISED & REDRAWN EC NO: J2016-0865 DRAWN: TMIYABE 2016/01/20 CHKD: KASAKAWA 2016/03/17 APPR: TKANEKO 2016/03/18	GENERAL TOLERANCES (UNLESS SPECIFIED)			DIMENSION STYLE MM ONLY		SCALE 8:1	DESIGN UNITS METRIC	THIRD ANGLE PROJECTION	
	0.25 UNDER	UNDER	±0.03	DRAWN BY	DATE	TITLE			
	0.25 OVER	0.5 UNDER	±0.05	TMIYABE	2016/01/20	STD KK CRIMP REC			
	0.5 OVER	1.0 UNDER	±0.1	CHECKED BY	DATE	molex			
1.0 OVER	10 UNDER	±0.2	KASAKAWA		DOCUMENT NO.				
10 OVER	30 UNDER	±0.25	APPROVED BY	DATE	SD-5167-002				
30 OVER		±0.3	TKANEKO	2016/03/18	SHEET NO.				
ANGULAR	±3°		SEE CHART		1 OF 1				
DRAFT WHERE APPLICABLE MUST REMAIN WITHIN DIMENSIONS			SIZE A3	THIS DRAWING CONTAINS INFORMATION THAT IS PROPRIETARY TO MOLEX ELECTRONIC TECHNOLOGIES, LLC AND SHOULD NOT BE USED WITHOUT WRITTEN PERMISSION					

MATERIAL
SEE CHART

9 8 7 6 5 4 3 2 1