

## Excellent Integrated System Limited

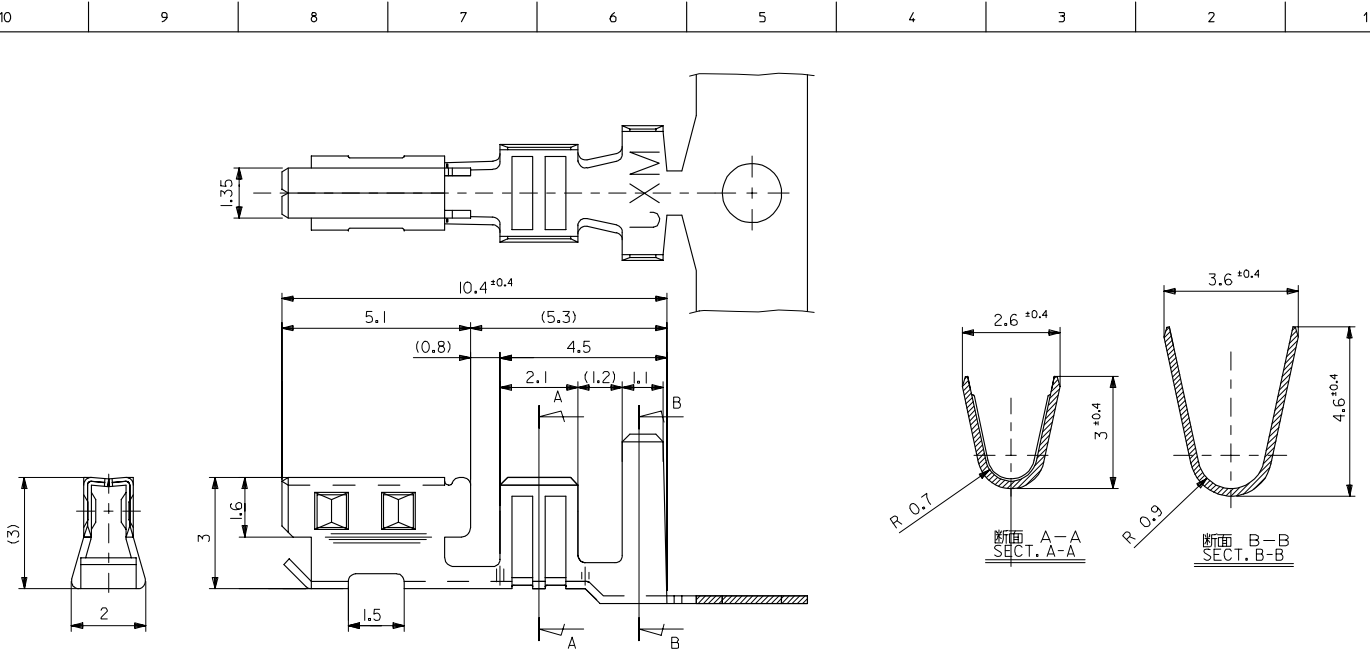
Stocking Distributor

Click to view price, real time Inventory, Delivery & Lifecycle Information:

[Molex Connector Corporation](#)  
[0503509001](#)

For any questions, you can email us directly:

[sales@integrated-circuit.com](mailto:sales@integrated-circuit.com)



Ø1.87~2.45	0.55~1.39mm <sup>2</sup> (AWG#16~20, AVS-0.5)	51128-***01 51097-***00	黄銅、錫メッキ材 TIN PLATED BRASS t=0.2	50350-9101	バラ状 LOOSE
Ø2~2.6	0.56~1.29mm <sup>2</sup> (AVS-0.5~1.25相当) (CORRESPOND TO AVS-0.5~1.25)	51120-***0*		50350-9001	連鎖状 CHAIN
Ø1.87~2.45	0.55~1.39mm <sup>2</sup> (AWG#16~20)	51128-***01 51097-***00	黄銅、錫メッキ材 TIN PLATED BRASS t=0.2	50350-9001	連鎖状 CHAIN
Ø2~2.6	0.56~1.29mm <sup>2</sup> (AVS-0.5~1.25相当) (CORRESPOND TO AVS-0.5~1.25)	51120-***0*			
被覆外形 INS. RANGE	適用電線範囲 WIRE RANGE	適合ハウジング APPLICABLE HOUSING	材料 MATERIAL	ENG. NO.	端子形状 FORM
GENERAL TOLERANCES (UNLESS SPECIFIED)		DIMENSION STYLE MM ONLY	SCALE 10:1	DESIGN UNITS METRIC	THIRD ANGLE PROJECTION
REVISED EC NO: J2006-0425 TIDRWNHAYAMA 2005/11/07 CHIKDAI,IKITA 2005/11/07 APPER,NIKITA 2005/11/11	DESCRIPTION	DRAWN BY M.SANO	DATE '92/03/18	TITLE 2.5/3.0 WIRE TO BORAD CONN. CRIMP RECEPTACLE	
	10 UNDER ±0.2	CHECKED BY M.SANO M.SAK	DATE '95/06/27	MOLEX INCORPORATED	
	10 OVER 30 UNDER ±0.25	APPROVED BY M.ENOMOTO	DATE '95/06/27	DOCUMENT NO. SD-50350-9*01	
	30 OVER ±0.3	MATERIAL NO. SEE CHART		SHEET NO. 1 OF 1	
	ANGULAR ±3 °	THIS DRAWING CONTAINS INFORMATION THAT IS PROPRIETARY TO MOLEX INCORPORATED AND SHOULD NOT BE USED WITHOUT WRITTEN PERMISSION			
	DRAFT WHERE APPLICABLE MUST REMAIN WITHIN DIMENSIONS				