

Excellent Integrated System Limited

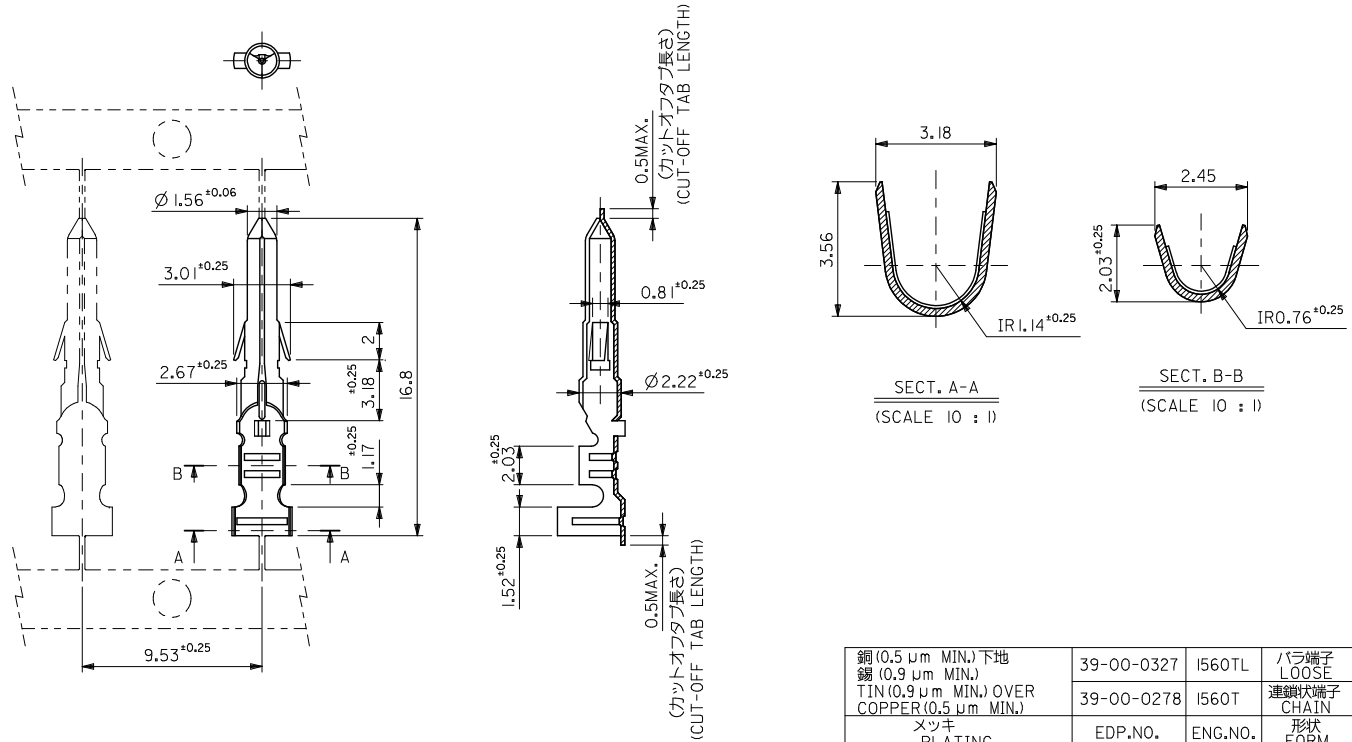
Stocking Distributor

Click to view price, real time Inventory, Delivery & Lifecycle Information:

[Molex Connector Corporation](#)
[0039000278](#)

For any questions, you can email us directly:
sales@integrated-circuit.com

10 9 8 7 6 5 4 3 2 1



銅 (0.5 μm MIN.) 下地 錫 (0.9 μm MIN.) TIN (0.9 μm MIN.) OVER COPPER (0.5 μm MIN.) メッキ PLATING	39-00-0327	I560TL	バラ端子 LOOSE
	39-00-0278	I560T	連鎖端子 CHAIN
	EDP.NO.	ENG.NO.	形状 FORM
			MODEL NO. I560*

注記 NOTES:

1. 一般公差: ±0.4
GENERAL TOLERANCES: ±0.4

材料 MATERIAL 黄銅 BRASS 0.2 t
仕上げ FINISH
適用電線範囲 WIRE RANGE AWG# 18-#24
被覆外径 INS. RANGE φ 1.5~3.1

REVISED EC NO. J2009-1263 DRAWN BY DR. NAKAMURA 2008/12/16 CHKD. T. HIRAYAMA 2008/12/16 APPR. N. KITTA 2009/01/15	GENERAL TOLERANCES (UNLESS SPECIFIED)		DIMENSION STYLE MM ONLY	SCALE 5:1	DESIGN UNITS METRIC	THIRD ANGLE PROJECTION
	10 UNDER	± ---	DRAWN BY H. HASEGAWA	DATE '93/7/19	TITLE 0.62 DIA CRIMP MALE TERM MOLEX INCORPORATED DOCUMENT NO. SD-1560-001 SHEET NO. 1 OF 1	
	10 OVER 30 UNDER	± ---	CHECKED BY H. HIRAMOTO	DATE '93/7/19		
	30 OVER	± ---	APPROVED BY M. FUKUSHIMA	DATE '93/7/19		
ANGULAR	± --- °	MATERIAL NO. SEE TABLE				
DRAFT WHERE APPLICABLE MUST REMAIN WITHIN DIMENSIONS		THIS DRAWING CONTAINS INFORMATION THAT IS PROPRIETARY TO MOLEX INCORPORATED AND SHOULD NOT BE USED WITHOUT WRITTEN PERMISSION				