

Excellent Integrated System Limited

Stocking Distributor

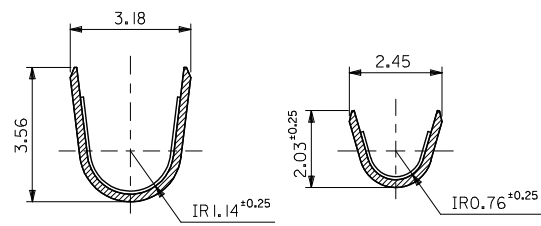
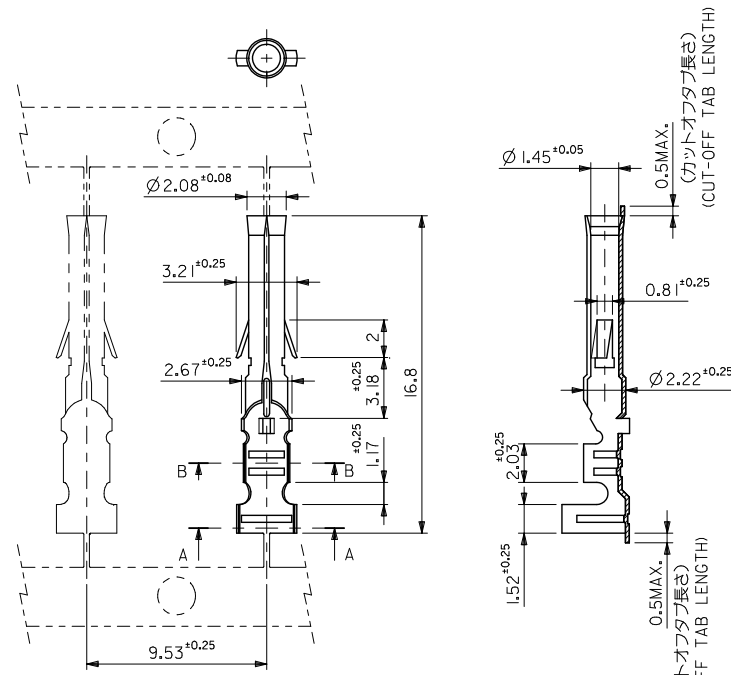
Click to view price, real time Inventory, Delivery & Lifecycle Information:

[Molex Connector Corporation](#)
[0039000279](#)

For any questions, you can email us directly:

sales@integrated-circuit.com

10 9 8 7 6 5 4 3 2 1



SECT. A-A (SCALE 10 : 1)
SECT. B-B (SCALE 10 : 1)

注記 NOTES:
1. 一般公差: ±0.4
GENERAL TOLERANCES: ±0.4

0.5MAX.
(カットオフタブ長さ)
(CUT-OFF TAB LENGTH)

0.5MAX.
(カットオフタブ長さ)
(CUT-OFF TAB LENGTH)

ニッケル (2 μm MIN.) 下地 金 (0.35 μm MIN.) OVER NICKEL (2 μm MIN.) OVER	39-00-0334	I56 IGL	バラ端子 LOOSE
銅 (0.5 μm MIN.) 下地 錫 (0.9 μm MIN.) OVER COPPER (0.5 μm MIN.) OVER	39-00-0333	I56 IG	連鎖端子 CHAIN
ニッケル (2 μm MIN.) 下地 金 (0.35 μm MIN.) OVER NICKEL (2 μm MIN.) OVER	39-00-0331	I56 ITL	バラ端子 LOOSE
銅 (0.5 μm MIN.) 下地 錫 (0.9 μm MIN.) OVER COPPER (0.5 μm MIN.) OVER	39-00-0279	I56 IT	連鎖端子 CHAIN
メッキ PLATING	EDP.NO.	ENG.NO.	形状 FORM

材料 MATERIAL 黄銅 BRASS 0.2 t	REVISED EC NO. J2009-1941 DRAWN: AOYAGI 2009/02/16 CHKD: HARUYAMA 2009/02/17 APPR: NUKITA 2009/02/17	GENERAL TOLERANCES (UNLESS SPECIFIED)	DIMENSION STYLE MM ONLY	SCALE 5:1	DESIGN UNITS METRIC	THIRD ANGLE PROJECTION
仕上げ FINISH		10 UNDER ± --- 10 OVER 30 UNDER ± --- 30 OVER ± --- ANGULAR ± --- °	DRAWN BY H. HASEGAWA '93/07/09	DATE	TITLE .062 DIA CRIMP FEMALE TERM	
適用電線範囲 WIRE RANGE AWG# 18-#24	DESCRIPTION	DRAFT WHERE APPLICABLE MUST REMAIN WITHIN DIMENSIONS	CHECKED BY H. HIRAMOTO '93/07/09	DATE	MOLEX INCORPORATED	SHEET NO. 1 OF 1
被覆外径 INS. RANGE φ 1.5 ~ 3.1	REV	SEE TABLE	APPROVED BY M. FUKUSHIMA '93/07/09	DATE		
		MATERIAL NO.		DOCUMENT NO. SD-1561-001		