

Excellent Integrated System Limited

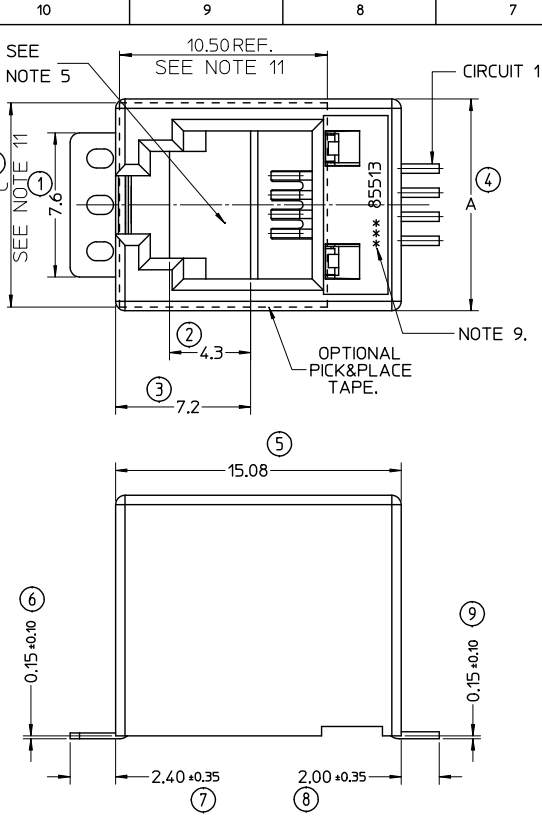
Stocking Distributor

Click to view price, real time Inventory, Delivery & Lifecycle Information:

[Molex Connector Corporation](#)
[0855135013](#)

For any questions, you can email us directly:

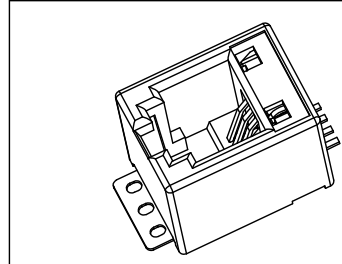
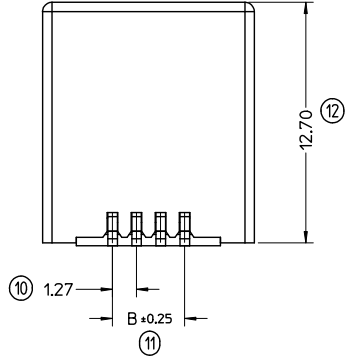
sales@integrated-circuit.com



NOTES:

- 1- MATERIAL:
-HOUSING: LCP GLASS FILLED UL 94-V0, COLOUR BLACK,
-TERMINAL: COPPER ALLOY PLATED WITH:
BASE FINISH: NICKEL
CONTACT SURFACE FINISH:
GOLD,
OR
GOLD FLASH OVER PALLADIUM NICKEL.
EXCEEDS PRODUCT REQUIREMENTS BASED ON PS-85513-002
- 2- JACK FOR MATING WITH IEC 60603-7 AND TIA-1096-A PLUGS (MOLEX 90075 SERIES).
- 3- PRODUCT SPECIFICATION: PS-85513-002.
- 4- PACKAGING SPECIFICATION (SEE CHART SHEET2):
PK-85513-001 SHEET 3 (BLISTER ON REEL 13')
PK-85133-001 SHEET 1 (BLISTER ON REEL 15')
PK-85513-001 SHEET 2 (BLISTER ON REEL 22')
- 5- FLAT SURFACE ON BOTH SIDES FOR PICK AND PLACE PURPOSE
- 6- COPLANARITY OF LEADS AND TABS: 0.10 MAX
- 7- SEE RECOMMENDED PCB LAYOUT ON SHEET 2
- 8- FOR DRAWING PURPOSE, ONLY 4/4 VERSION SHOWN.
- 9- MANUFACTURING ID CAN BE EITHER MXF, MG OR MXL
- 10- APPLICATION SPEC AS-85513-001
- 11- OPTIONAL PICK&PLACE TAPE

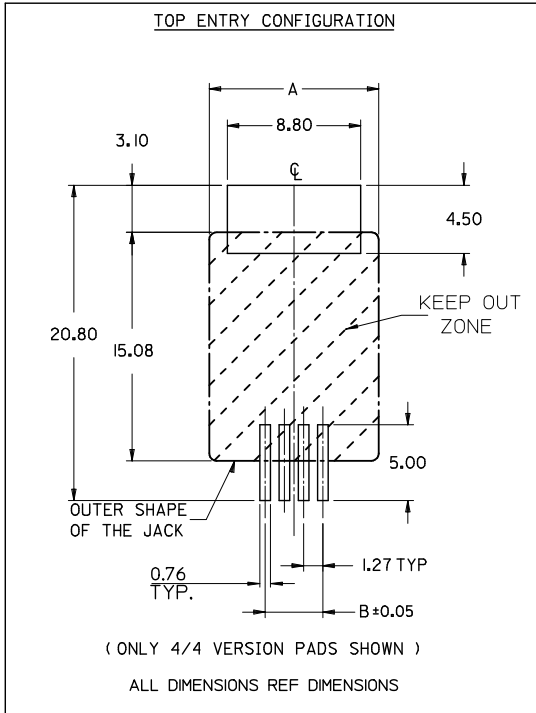
LAST INSPECTION No: 14



ISOMETRIC VIEW
(NOT SCALED)

REMOVED OPTION UPDATE DIM C EC NO: IPG2015-0192 DRAWN: KEARNS 2014/05/06 CHKD: APPR: STGRFFIN 2014/08/29 REV DESCRIPTION	QUALITY SYMBOLS	GENERAL TOLERANCES (UNLESS SPECIFIED)	DIMENSION STYLE	SCALE	DESIGN UNITS	THIRD ANGLE PROJECTION																		
	$\nabla=0$ $\nabla=0$	<table border="1"> <thead> <tr> <th></th> <th>mm</th> <th>INCH</th> </tr> </thead> <tbody> <tr> <td>4 PLACES</td> <td>± ---</td> <td>± ---</td> </tr> <tr> <td>3 PLACES</td> <td>± ---</td> <td>± ---</td> </tr> <tr> <td>2 PLACES</td> <td>± 0.15</td> <td>± ---</td> </tr> <tr> <td>1 PLACE</td> <td>± 0.25</td> <td>± ---</td> </tr> <tr> <td>ANGULAR</td> <td colspan="2">± 2 °</td> </tr> </tbody> </table>		mm	INCH	4 PLACES	± ---	± ---	3 PLACES	± ---	± ---	2 PLACES	± 0.15	± ---	1 PLACE	± 0.25	± ---	ANGULAR	± 2 °		MM ONLY	5:1	METRIC	<input checked="" type="checkbox"/> THIRD ANGLE PROJECTION <input type="checkbox"/> FIRST ANGLE PROJECTION
		mm	INCH																					
	4 PLACES	± ---	± ---																					
3 PLACES	± ---	± ---																						
2 PLACES	± 0.15	± ---																						
1 PLACE	± 0.25	± ---																						
ANGULAR	± 2 °																							
<table border="1"> <thead> <tr> <th>DRAWN BY</th> <th>DATE</th> <th>TITLE</th> </tr> </thead> <tbody> <tr> <td>D BYRNES</td> <td>2006/08/17</td> <td>LOW PROFILE TOP ENTRY TRUE SMT JACK WITH P&P SURFACE (SHORT VERSION)</td> </tr> <tr> <td>CHECKED BY</td> <td>DATE</td> <td></td> </tr> <tr> <td>EOMAHONY</td> <td>2006/08/17</td> <td></td> </tr> <tr> <td>APPROVED BY</td> <td>DATE</td> <td></td> </tr> <tr> <td>EOMAHONY</td> <td>2006/08/17</td> <td></td> </tr> </tbody> </table>	DRAWN BY	DATE	TITLE	D BYRNES	2006/08/17	LOW PROFILE TOP ENTRY TRUE SMT JACK WITH P&P SURFACE (SHORT VERSION)	CHECKED BY	DATE		EOMAHONY	2006/08/17		APPROVED BY	DATE		EOMAHONY	2006/08/17				MOLEX INCORPORATED			
DRAWN BY	DATE	TITLE																						
D BYRNES	2006/08/17	LOW PROFILE TOP ENTRY TRUE SMT JACK WITH P&P SURFACE (SHORT VERSION)																						
CHECKED BY	DATE																							
EOMAHONY	2006/08/17																							
APPROVED BY	DATE																							
EOMAHONY	2006/08/17																							
		DRAFT WHERE APPLICABLE MUST REMAIN WITHIN DIMENSIONS	MATERIAL NO. SEE SHEET 2	DOCUMENT NO. SD-85513-010		SHEET NO. 1 OF 2																		

RECOMMENDED PCB LAYOUTS
(SEE FROM COMPONENT SIDE)



PART No.	PICK&PLACE TAPE	HOUSING SIZE	LOADED CKTS	TOOLED	A	B	C	PACKAGING	PACKAGING SPEC.
85513-5013	NO	8	8	YES	15.24	8.89	14.40 +2 -4	BLISTER ON REEL 13'	PK-85513-001 SHEET 3
85513-5113	YES			BLISTER ON REEL 15'				PK-85513-001 SHEET 1	
85513-5001	NO			BLISTER ON REEL 22'				PK-85513-001 SHEET 2	
85513-5009	NO								
85513-5109	YES	6	6	YES	13.21	6.35	12.40 +2 -4	BLISTER ON REEL 13'	PK-85513-001 SHEET 3
85513-5014	NO			BLISTER ON REEL 15'				PK-85513-001 SHEET 1	
85513-5114	YES			BLISTER ON REEL 22'				PK-85513-001 SHEET 2	
85513-5002	NO								
85513-5010	NO	6	4	YES	13.21	3.81	12.40 +2 -4	BLISTER ON REEL 13'	PK-85513-001 SHEET 3
85513-5115	YES			BLISTER ON REEL 15'				PK-85513-001 SHEET 1	
85513-5003	NO			BLISTER ON REEL 22'				PK-85513-001 SHEET 2	
85513-5011	NO								
85513-5111	YES	4	4	YES	11.18	3.81	10.40 +4 -2	BLISTER ON REEL 13'	PK-85513-001 SHEET 3
85513-5016	NO			BLISTER ON REEL 15'				PK-85513-001 SHEET 1	
85513-5116	YES			BLISTER ON REEL 22'				PK-85513-001 SHEET 2	
85513-5004	NO								
85513-5012	NO			YES				BLISTER ON REEL 13'	PK-85513-001 SHEET 3
85513-5112	YES			YES				BLISTER ON REEL 15'	PK-85513-001 SHEET 1
				YES				BLISTER ON REEL 22'	PK-85513-001 SHEET 2

SEE SHEET 1 EC NO: IFG2015-0192 DRAWN: KEARNS 2014/05/06 CHKD: APPR: STGRIFFIN 2014/08/29	QUALITY SYMBOLS	GENERAL TOLERANCES (UNLESS SPECIFIED)	DIMENSION STYLE	SCALE	DESIGN UNITS	THIRD ANGLE PROJECTION																		
	$\nabla=0$ $\nabla=0$	<table border="1"> <tr> <th></th> <th>mm</th> <th>INCH</th> </tr> <tr> <td>4 PLACES</td> <td>±---</td> <td>±---</td> </tr> <tr> <td>3 PLACES</td> <td>±---</td> <td>±---</td> </tr> <tr> <td>2 PLACES</td> <td>±0.15</td> <td>±---</td> </tr> <tr> <td>1 PLACE</td> <td>±0.25</td> <td>±---</td> </tr> <tr> <td colspan="3">ANGULAR ± 2°</td> </tr> </table>		mm	INCH	4 PLACES	±---	±---	3 PLACES	±---	±---	2 PLACES	±0.15	±---	1 PLACE	±0.25	±---	ANGULAR ± 2°			MM ONLY	1:1	METRIC	
		mm	INCH																					
	4 PLACES	±---	±---																					
3 PLACES	±---	±---																						
2 PLACES	±0.15	±---																						
1 PLACE	±0.25	±---																						
ANGULAR ± 2°																								
DRAFT WHERE APPLICABLE MUST REMAIN WITHIN DIMENSIONS	DRAWN BY: DBYRNES 2006/08/17 CHECKED BY: EOMAHONY 2006/08/17 APPROVED BY: EOMAHONY 2006/08/17 MATERIAL NO. SEE CHART SIZE: A3	TITLE: LOW PROFILE TOP ENTRY TRUE SMT JACK WITH P&P SURFACE(SHORT VERSION) MOLEX INCORPORATED DOCUMENT NO. SD-85513-010 SHEET NO. 2 OF 2																						
THIS DRAWING CONTAINS INFORMATION THAT IS PROPRIETARY TO MOLEX INCORPORATED AND SHOULD NOT BE USED WITHOUT WRITTEN PERMISSION																								