



**Distributor of Molex Connector Corporation: Excellent Integrated System Limited**  
Datasheet of 0196060004 - Connector Quick Connect Receptacle 10-12 AWG 0.250"  
(6.35mm) Crimp

Contact us: [sales@integrated-circuit.com](mailto:sales@integrated-circuit.com) Website: [www.integrated-circuit.com](http://www.integrated-circuit.com)

---

## **Excellent Integrated System Limited**

Stocking Distributor

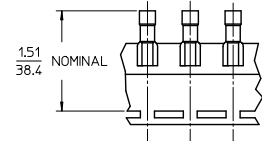
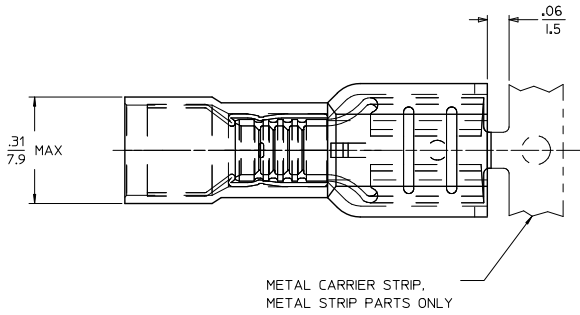
Click to view price, real time Inventory, Delivery & Lifecycle Information:

[Molex Connector Corporation](#)  
[0196060004](#)

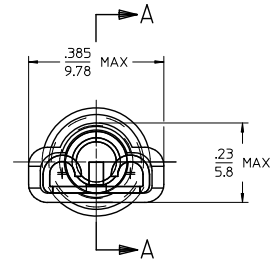
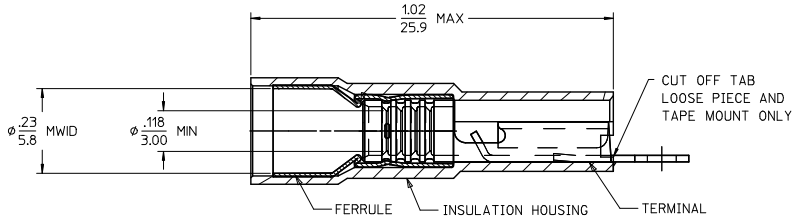
For any questions, you can email us directly:  
[sales@integrated-circuit.com](mailto:sales@integrated-circuit.com)

Contact us: [sales@integrated-circuit.com](mailto:sales@integrated-circuit.com) Website: [www.integrated-circuit.com](http://www.integrated-circuit.com)

MATERIAL NO.	ENGINEERING P/N	CARRIER STYLE
196060004	C-5293Z	METAL STRIP
196060005	C-5293	LOOSE PIECE
196060006	C-5293T	TAPE MOUNT



PARTS ON TAPE  
SCALE: NONE



SECTION A-A

NOTES:

- MATERIALS:  
HOUSING: 94V-2 NYLON, YELLOW  
TERMINAL: BRASS, .018/0.46 THICK REF., MATTE TIN PLATED  
FERRULE: COPPER ALLOY, MATTE TIN PLATED
- ACCEPTS TAB SIZE .250 x .032 (6.35 x 0.81).
- MWID = MAXIMUM WIRE INSULATION DIAMETER.
- PARTS ARE ROHS COMPLIANT.

RLS, FERRULE MAT'L EC NO: WNA2010-0600 DRW: ETHRODAHL 2010/03/31 CHKD: JMACNEIL 2010/03/31 APPR: JMACNEIL 2010/04/09	QUALITY SYMBOLS ▽=0 ▽=0	GENERAL TOLERANCES (UNLESS SPECIFIED)		DIMENSION STYLE IN/MM		SCALE 5:1	DESIGN UNITS INCH	THIRD ANGLE PROJECTION		
		4 PLACES ± --- ± ---	3 PLACES ± --- ± ---	2 PLACES ± --- ± ---	1 PLACE ± --- ± ---	DRAWN BY ETHRODAHL	DATE 2010/03/31	TITLE FIQD FEMALE AVIKRIMP LOW PROFILE 250X.032 TAB, 12-10 AWG		
		ANGULAR ± 1/2°				CHECKED BY JMACNEIL	DATE 2010/03/31	MOLEX INCORPORATED		
		DRAFT WHERE APPLICABLE MUST REMAIN WITHIN DIMENSIONS				APPROVED BY JMACNEIL	DATE 2010/04/09	MATERIAL NO. SEE CHART	DOCUMENT NO. SD-19606-003	SHEET NO. 1 OF 1