



**Distributor of Molex Connector Corporation: Excellent Integrated System Limited**  
Datasheet of 0190050004 - Connector Quick Connect Receptacle 18-22 AWG 0.250"  
(6.35mm) Crimp

Contact us: [sales@integrated-circuit.com](mailto:sales@integrated-circuit.com) Website: [www.integrated-circuit.com](http://www.integrated-circuit.com)

---

## **Excellent Integrated System Limited**

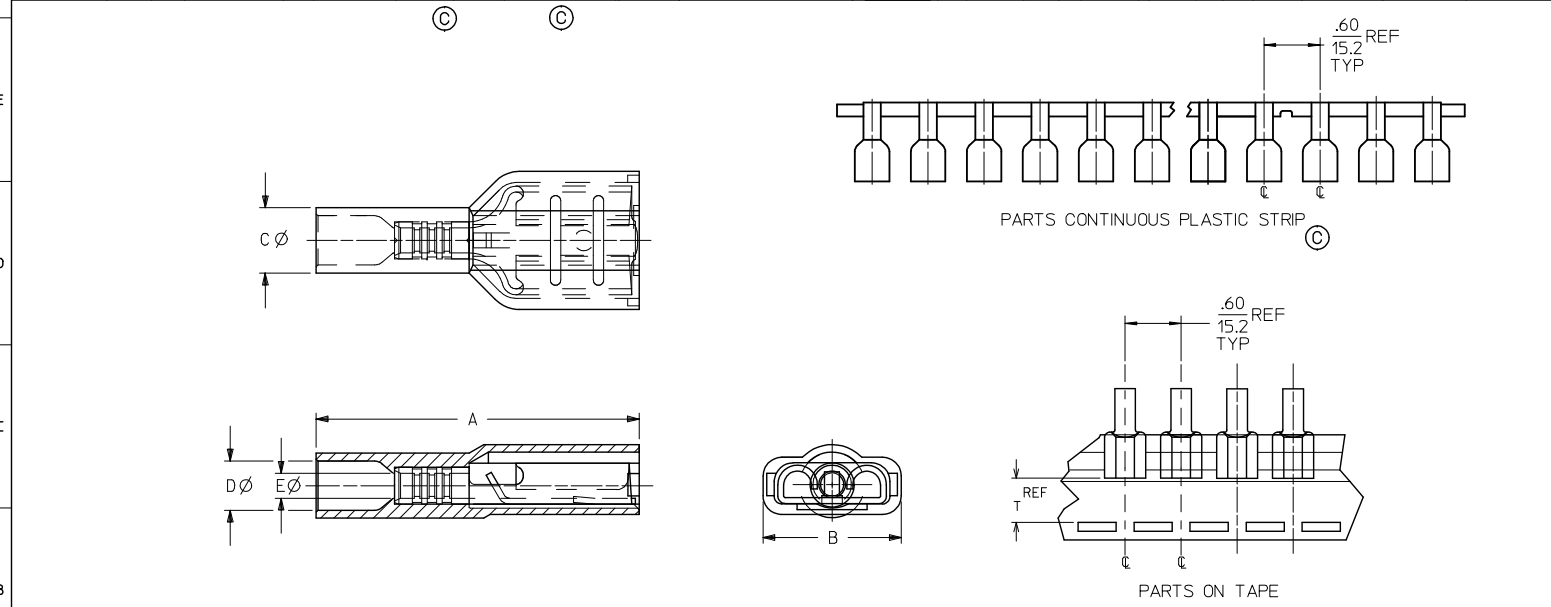
Stocking Distributor

Click to view price, real time Inventory, Delivery & Lifecycle Information:

[Molex Connector Corporation](#)  
[0190050004](#)

For any questions, you can email us directly:  
[sales@integrated-circuit.com](mailto:sales@integrated-circuit.com)

|                             |                           |                            |                               |                                  |                                     |                |                       |        |                   |           |         |         |         |         |          |
|-----------------------------|---------------------------|----------------------------|-------------------------------|----------------------------------|-------------------------------------|----------------|-----------------------|--------|-------------------|-----------|---------|---------|---------|---------|----------|
| 10                          | 9                         | 8                          | 7                             | 6                                | 5                                   | 4              | 3                     | 2      | 19005             |           |         |         |         |         |          |
| MATERIAL NUMBER LOOSE PIECE | ENGRNG NUMBER LOOSE PIECE | MATERIAL NUMBER MYLAR TAPE | ENGINEERING NUMBER MYLAR TAPE | MATERIAL NUMBER CONTINUOUS STRIP | ENGINEERING NUMBER CONTINUOUS STRIP | WIRE RANGE AWG | ACCEPTS MALE TAB SIZE | COLOR  | STOCK THKNS (REF) | A MAX     | B MAX   | C MAX   | D MWID  | E MIN   | T REF    |
| 190050001                   | AA-2261                   | 190050004                  | AA-2261T                      | 190050003                        | AA-2261C                            | 22-18          | .250x.032/6.35x0.81   | RED    | .018/0.46         | .89/22.6  | .38/9.7 | .23/5.9 | .16/4.1 | .08/2.0 | .52/13.2 |
| 190050005                   | BB-2263                   | 190050009                  | BB-2263T                      | 190050008                        | BB-2263C                            | 16-14          | .250x.032/6.35x0.81   | BLUE   | .018/0.46         | .89/22.6  | .38/9.7 | .23/5.9 | .16/4.1 | .08/2.0 | .52/13.2 |
| 190050010                   | C-2265                    | 190050015                  | C-2265T                       | 190050014                        | C-2265C                             | 12-10          | .250x.032/6.35x0.81   | YELLOW | .018/0.46         | 1.04/26.4 | .38/9.7 | .34/8.7 | .27/6.8 | .14/3.5 | .51/13.0 |



NOTES:

1. TERMINAL MATERIAL: BRASS
2. TERMINAL FINISH: TIN PLATED
3. INSULATION MATERIAL: MOLDED NYLON
4. MWID = MAXIMUM WIRE INSULATION DIAMETER
5. PARTS ARE ROHS COMPLIANT.

|  |                 |   |                 |       |              |  |  |
|--|-----------------|---|-----------------|-------|--------------|--|--|
| ADD CONTINUOUS STRIP<br>EC NO: IFC2014-1666<br>DRAWN BY: JAS01 2014/04/03<br>CHKD: JMACNEIL<br>APPR: JMACNEIL 2014/04/21<br>REV: | QUALITY SYMBOLS | GENERAL TOLERANCES (UNLESS SPECIFIED)<br>mm INCH<br>4 PLACES ± --- ± ---<br>3 PLACES ± --- ± ---<br>2 PLACES ± --- ± ---<br>1 PLACE ± --- ± ---<br>ANGULAR ± ---°<br>DRAFT WHERE APPLICABLE MUST REMAIN WITHIN DIMENSIONS | DIMENSION STYLE | SCALE | DESIGN UNITS | THIRD ANGLE PROJECTION   |  |
|  | ▽=0<br>▽=0      |   | IN/MM           | ---   | INCH         | DRAWN BY: EMF<br>DATE: 1993/06/25<br>CHECKED BY: ---<br>DATE: ---<br>APPROVED BY: JMACNEIL<br>DATE: 2010/03/19<br>MATERIAL NO. SEE CHART<br>SIZE B | TITLE: FULLY INSULATED FEMALE COUPLER<br>MOLEX MOLEX INCORPORATED<br>DOCUMENT NO. SD-19005-001<br>SHEET NO. 1 OF 1 |
|  |                 |   |                 |       |              |  |  |
|  |                 |   |                 |       |              |  |  |