

Excellent Integrated System Limited

Stocking Distributor

Click to view price, real time Inventory, Delivery & Lifecycle Information:

[Molex Connector Corporation](#)
[0855025008](#)

For any questions, you can email us directly:

sales@integrated-circuit.com

10 9 8 7 6 5 4 3 2 1

NOTES:

1- MATERIAL:

HOUSING: LCP GLASS FILLED UL 94V0 COLOUR: BLACK

TERMINAL: COPPER ALLOY PLATED WITH:

BASE FINISH: NICKEL

CONTACT SURFACE FINISH:

GOLD

OR

GOLD FLASH OVER PALLADIUM NICKEL.

EXCEEDS PRODUCT REQUIREMENTS BASED ON PS-95501

SOLDER TABS: BRASS PLATED WITH 0.0020 MIN TIN.

2- JACK FOR MATING WITH IEC 60603-7 AND TIA-1096-A PLUGS (MOLEX 90075 SERIES)

3- PRODUCT SPECIFICATION: MOLEX PS-95501

4- POLYIMIDE ADHESIVE TAPE FOR PICK & PLACE SURFACE. THICKNESS: 125 μm

5- PACKAGING SPECIFICATION: MOLEX PK-85502. (BLISTER PACKAGING).

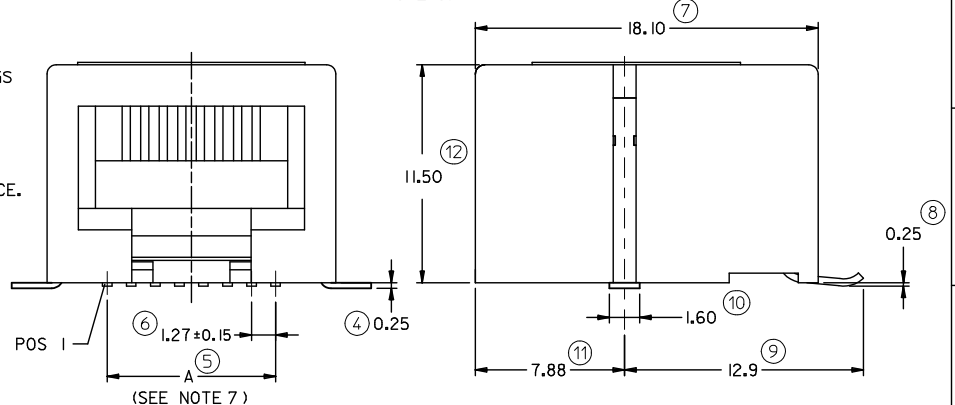
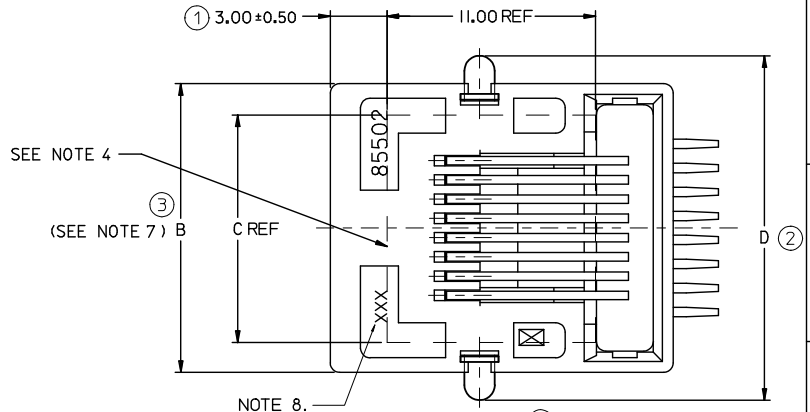
6- COPLANARITY OF SIGNAL LEADS: 0.10

7- SEE DIMENSIONS IN CHART ON SHEET 2.

8- MANUFACTURING I.D. CAN BE EITHER MG, MXF OR MXL.

9- APPLICATION SPECIFICATION: AS-85513-001

LAST INSPECTION NUMBER: 12

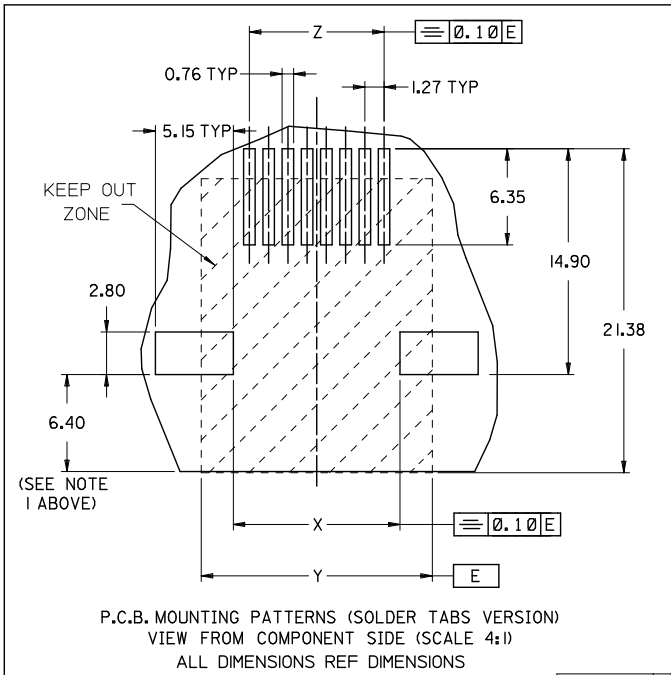


CHANGED PRODUCT SPEC. EC NO: IPG2013-0771 DRAWN BY: BYRNES 2012/11/23 CHKD: APPR: STGRIFFIN 2012/12/13	QUALITY SYMBOLS ▽=0 ▽=0	GENERAL TOLERANCES (UNLESS SPECIFIED) 4 PLACES ± --- ± --- 3 PLACES ± --- ± --- 2 PLACES ± 0.25 ± --- 1 PLACE ± 0.35 ± --- ANGULAR ± 2 °	DIMENSION STYLE MM ONLY DRAWN BY: DB DATE: 2006/06/12 CHECKED BY: EOMAHONY DATE: 2006/06/15 APPROVED BY: EOMAHONY DATE: 2006/06/15	SCALE: 5:1 DESIGN UNITS: METRIC THIRD ANGLE PROJECTION	TITLE: R/A LOW PROFILE TRUE SMT 4,6 & 8 CONTACTS PC JACK WITH SIDE SOLDER TABS MOLEX INCORPORATED DOCUMENT NO: SD-85502-101 SHEET NO: 1 OF 2
	DRAFT WHERE APPLICABLE MUST REMAIN WITHIN DIMENSIONS	MATERIAL NO. SEE CHART SHT 2 SIZE: A3	THIS DRAWING CONTAINS INFORMATION THAT IS PROPRIETARY TO MOLEX INCORPORATED AND SHOULD NOT BE USED WITHOUT WRITTEN PERMISSION		
	MOLEX INCORPORATED				
	MOLEX INCORPORATED				

9 8 7 6 5 4 3 2 1

10 9 8 7 6 5 4 3 2 1

NOTES
1: RECOMMENDED DISTANCE FROM THE PCB'S EDGE
2: PLATING SEE SHEET ONE



PART NUMBERS FOR TRUE SMT JACK WITH SOLDER TABS									
HOUSING COLOR	POS 4 4 CKTS	TOOLED	POS 6 4 CKTS	TOOLED	POS 6 6 CKTS	TOOLED	POS 8 8 CKTS	TOOLED	
STANDARD VERSION	BLACK	85502-5005	X	85502-5006	X	85502-5007	X	85502-5008	X

TYPE	POS 4	POS 6		POS 8
	4 CKTS	4 CKTS	6 CKTS	8 CKTS
A ±0.15	3.81	3.81	6.35	8.89
B	11.18	13.21	13.21	15.24
C (REF)	8.50	8.50	8.50	12.00
D ±0.35	14.13	16.16	16.16	18.19
X ±0.10	6.94	8.97	8.97	11.00
Y (REF)	11.18	13.21	13.21	15.24
Z ±0.05	3.81	3.81	6.35	8.89

SEE SHEET 1 EC NO: IPG2012-0603 DRAWN BY: DB 2012/03/30 CHKD: SINGREY 2012/04/02 APPR: EFLAN 2012/06/28	QUALITY SYMBOLS ▽=0 ▽=0	GENERAL TOLERANCES (UNLESS SPECIFIED) 4 PLACES ± --- ± --- 3 PLACES ± --- ± --- 2 PLACES ± 0.25 ± --- 1 PLACE ± 0.35 ± --- ANGULAR ± 2°	DIMENSION STYLE MM ONLY DRAWN BY: DB DATE: 2006/06/12 CHECKED BY: EOMAHONY DATE: 2006/06/15 APPROVED BY: EOMAHONY DATE: 2006/06/15 MATERIAL NO.	SCALE: 5:1 DESIGN UNITS: METRIC THIRD ANGLE PROJECTION	TITLE: R/A LOW PROFILE TRUE SMT 4,6 & 8 CONTACTS PC JACK WITH SIDE SOLDER TABS MOLEX INCORPORATED DOCUMENT NO. SD-85502-101 SHEET NO. 2 OF 2
	DRAFT WHERE APPLICABLE MUST REMAIN WITHIN DIMENSIONS		SEE CHART		THIS DRAWING CONTAINS INFORMATION THAT IS PROPRIETARY TO MOLEX INCORPORATED AND SHOULD NOT BE USED WITHOUT WRITTEN PERMISSION

9 8 7 6 5 4 3 2 1