

## Excellent Integrated System Limited

Stocking Distributor

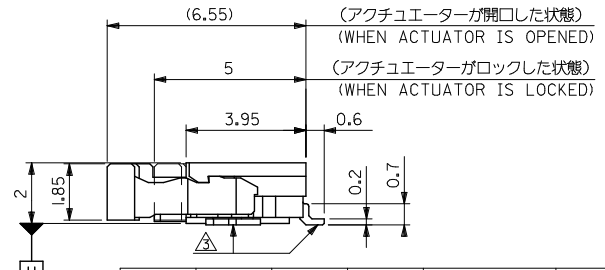
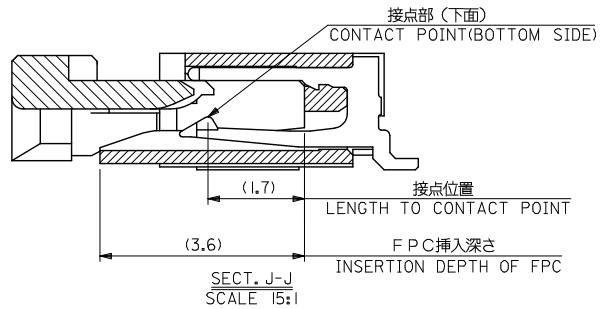
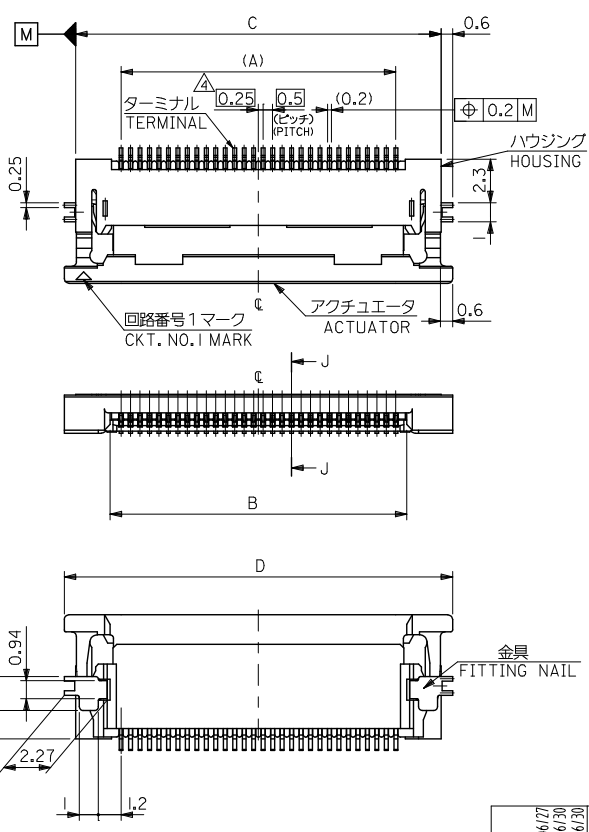
Click to view price, real time Inventory, Delivery & Lifecycle Information:

[Molex Connector Corporation](#)  
[0541323497](#)

For any questions, you can email us directly:

[sales@integrated-circuit.com](mailto:sales@integrated-circuit.com)

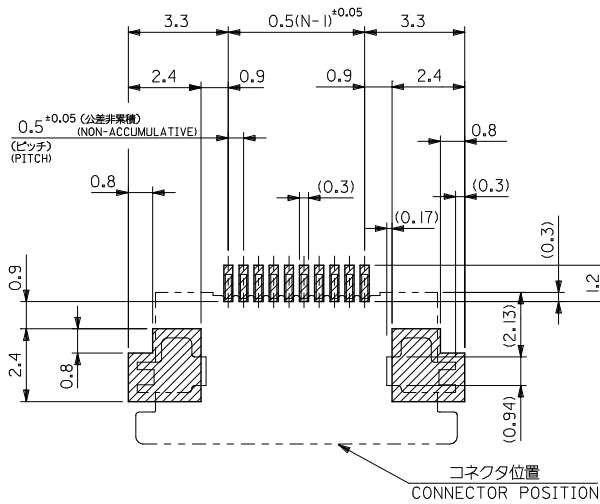
10 9 8 7 6 5 4 3 2 1



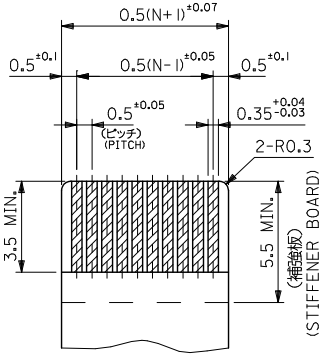
30.5	29.3	25.65	24.5	54132-5097	54132-5039	50
28.0	26.8	23.15	22.0	-4597	-4539	45
27.0	25.8	22.15	21.0	-4397	-4339	43
25.5	24.3	20.65	19.5	-4097	-4039	40
24.5	23.3	19.65	18.5	-3897	-3839	38
23.5	22.3	18.65	17.5	-3697	-3639	36
23.0	21.8	18.15	17.0	-3597	-3539	35
22.5	21.3	17.65	16.5	-3497	-3439	34
22.0	20.8	17.15	16.0	-3397	-3339	33
21.5	20.3	16.65	15.5	-3297	-3239	32
20.5	19.3	15.65	14.5	54132-3097	54132-3039	30
D	C	B	A	EMBOSSED TAPE ORDER No. オーダー番号	MATERIAL. NO.	CKT.

REVISED EC NO. J2008-4308 DRAWN BY M.NABEI CHKD: HARUYAMA APPR: NIKITA 2008/06/30 2008/06/30 2008/06/30	GENERAL TOLERANCES (UNLESS SPECIFIED)		DIMENSION STYLE MM ONLY	SCALE ---	DESIGN UNITS METRIC	MODEL NO. THIRD ANGLE PROJECTION
	10 UNDER	± 0.2	DRAWN BY M.NABEI	DATE '03/12/15	TITLE 0.5 FPC CONN ZIF HOUSING ASSY FOR SMT -LEAD FREE- MOLEX INCORPORATED SD-54132-060	
	10 OVER 30 UNDER	± 0.25	CHECKED BY M.SASAO	DATE '03/12/15		
	30 OVER	± 0.3	APPROVED BY M.SASAO	DATE '03/12/15		
ANGULAR	± 3 °	MATERIAL NO.	DOCUMENT NO.			
DRAFT WHERE APPLICABLE MUST REMAIN WITHIN DIMENSIONS		SEE TABLE	THIS DRAWING CONTAINS INFORMATION THAT IS PROPRIETARY TO MOLEX INCORPORATED AND SHOULD NOT BE USED WITHOUT WRITTEN PERMISSION		SHEET NO. 1 OF 2	

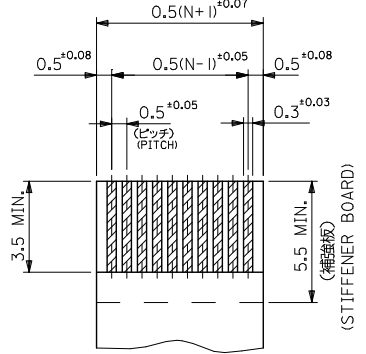
10 9 8 7 6 5 4 3 2 1



参考基板レイアウト  
RECOMMENDED PC BOARD PATTERN DIMENSION(REF.)  
(マウント面)  
(MOUNTING SIDE)



適合FPC推奨寸法  
APPLICABLE FPC RECOMMENDED DIMENSION  
(仕上がり厚さ: 0.3+0.03)  
(THICKNESS: 0.3+0.03)



適合FFC推奨寸法  
APPLICABLE FFC RECOMMENDED DIMENSION  
(仕上がり厚さ: 0.3+0.03)  
(THICKNESS: 0.3+0.03)

注記  
NOTES

1. 使用材料  
MATERIAL : 46ナイロン, UL94V-0  
ハウジング HOUSING : 46NYLON  
アクチュエーター ACTUATOR : PPS, UL94V-0  
ターミナル TERMINAL : リン青銅 (1=0, 2), 鍍・ビスマズメッキ 1.0~3.0 MICRO METER MIN. ニッケル下地 1.0~3.0 MICRO METER MIN.  
PHOS-BRO.TIN-BISMUTH-PLATE 1.0~3.0 MICRO METER MIN. OVER NICKEL 1.0~3.0 MICRO METER MIN.  
金具 FITTING NAIL : リン青銅 (1=0, 2), 鍍メッキ 1.0~3.0 MICRO METER MIN. ニッケル下地 1.0~3.0 MICRO METER MIN. PHOS-BRO.TIN-PLATE 1.0~3.0 MICRO METER MIN. OVER NICKEL 1.0~3.0 MICRO METER MIN.

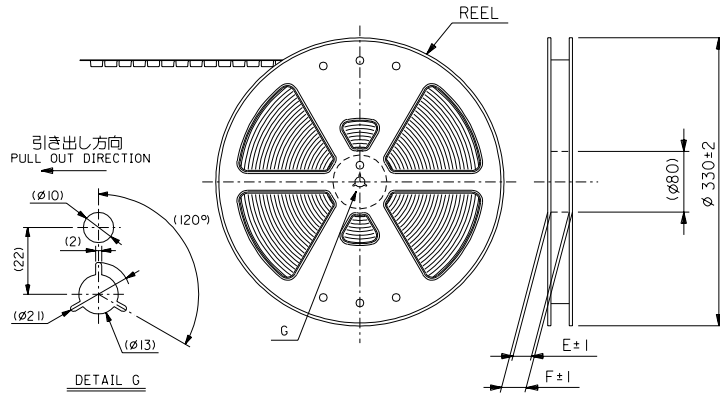
2. エンボステープ梱包時は、アクチュエーターがロックした状態とする。  
IN THE PACKAGE, ACTUATOR OF PART NO.54132-\*\*\*31 SHOULD BE LOCKED.
3. ソルダータール半田付け面のズレ量、及び金具半田付け面のズレ量は、基準面 田 に対し上下方向 0.1 MAX.、下方向 0.15 MAX. とする。  
MISALIGNMENT OF SOLDER TAILS AND FITTING NAIL FROM 田 UPPER DIRECTION: 0.1 MAX., LOWER DIRECTION: 0.15 MAX.
4. 偶数極ご適用  
APPLY FOR EVEN CIRCUIT.
5. パターンはくり止め用金具  
FITTING NAIL FOR PREVENTION OF PEELING OF P.C.B. PATTERN.
6. 本製品は54132-\*\*\*31の鉛フリー品である。  
THIS PRODUCT IS LEAD FREE OF 54132-\*\*\*31

FPC/FFCについて

打抜き方向は導体側から補強板側を推奨いたします。  
導体側については軟銅箔35マイクロメートルまたは50マイクロメートル  
RECOMMENDED PUNCHER DIRECTION:  
FROM CONDUCTOR SIDE TO STIFFENER BOARD SIDE.  
RECOMMENDED CONDUCTOR SPEC.:  
THICKNESS OF SOFT COPPER FOIL:  
35 micrometer or 50 micrometer

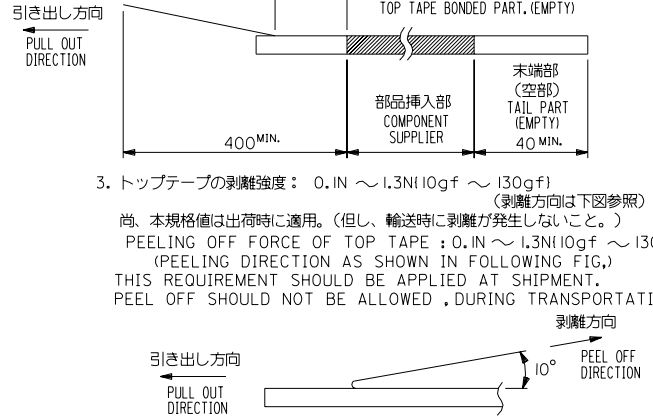
REVISED EC NO. J2008-4-308 DRAWN/MABEI 2008/06/30 CHKD:THARUYAMA 2008/06/30 APPR:MIKITA 2008/06/30	GENERAL TOLERANCES (UNLESS SPECIFIED)		DIMENSION STYLE MM ONLY		SCALE ---	DESIGN UNITS METRIC	THIRD ANGLE PROJECTION
	10 UNDER	± 0.2	DRAWN BY M.NABEI	DATE '03/12/15	TITLE 0.5 FPC CONN ZIF HOUSING ASSY FOR SMT -LEAD FREE-		
	10 OVER 30 UNDER	± 0.25	CHECKED BY M.SASAO	DATE '03/12/15	MOLEX INCORPORATED		
	30 OVER	± 0.3	APPROVED BY M.SASAO	DATE '03/12/15	SHEET NO. 2 OF 2		
ANGULAR ± 3 °		DRAFT WHERE APPLICABLE MUST REMAIN WITHIN DIMENSIONS		MATERIAL NO. SEE SHEET 1		DOCUMENT NO. SD-54132-060	SHEET NO. 2 OF 2
THIS DRAWING CONTAINS INFORMATION THAT IS PROPRIETARY TO MOLEX INCORPORATED AND SHOULD NOT BE USED WITHOUT WRITTEN PERMISSION							

DWG. NO. SD-54132-061



**NOTES**

1. 梱包数量：1500個/リール  
NUMBER OF CONNECTORS：1500PCS/REEL
2. リードテープ長さ LEAD TAPE LENGTH  
20PCS, MIN. トップテープ接着部 (空エンボス)  
TOP TAPE BONDED PART, (EMPTY)  
部品挿入部 COMPONENT SUPPLIER  
末端部 (空部) TAIL PART (EMPTY) 40 MIN.
3. トップテープの剥離強度：0.1N ~ 1.3N(10gf ~ 130gf)  
尚、本規格値は出荷時に適用。(但し、輸送時に剥離が発生しないこと。)  
PEELING OFF FORCE OF TOP TAPE：0.1N ~ 1.3N(10gf ~ 130gf)  
(PEELING DIRECTION AS SHOWN IN FOLLOWING FIG.)  
THIS REQUIREMENT SHOULD BE APPLIED AT SHIPMENT.  
PEEL OFF SHOULD NOT BE ALLOWED, DURING TRANSPORTATION.



5. 材料 キャリアテープ：ポリプロピレン (PP)  
トップテープ：PET, PE, PEF  
リール：ポリスチレン (PS) <リサイクル材を含む>

MATERIAL CARRIER TAPE: POLYPROPYLENE  
TOP TAPE: PET, PE, PEF  
REEL: POLYSTYRENE (PS)  
<RECYCLE MATERIAL CONTAINED>

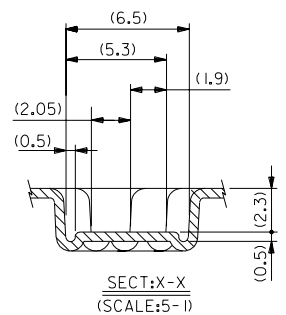
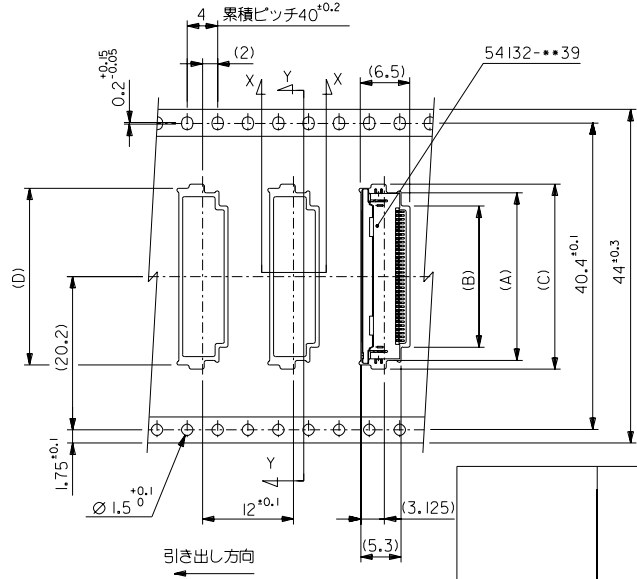
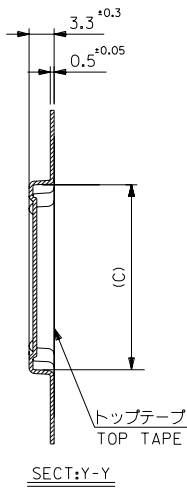
6. 本製品は54132-\* \* 92の鉛フリー品である。  
THIS PRODUCT IS LEAD FREE OF 54132-\*\*92

DO NOT SCALE DRAWING

EC NO. DRAWN: CHK: APPR:		EC NO. DRAWN: CHK: APPR:		EC NO. DRAWN: CHK: APPR:		REVISED EC NO. J2004-2790 DRAWN: SHIMABUKURO M09 CHK: K. TOJO M09 APPR: M.SASAO M09 RELEASED EC NO. J2004-1538 DRAWN: M.NABEI M09/6 CHK: M.SASAO M09/6 APPR: M.SASAO M09/6		MATERIAL 材料 注記参照 SEE NOTES		GENERAL TOLERANCES: (UNLESS SPECIFIED) 一般公差		SCALE 1:1		DESIGN UNITS mm INCH		THIRD ANGLE PROJECTION		54132-**97 MODEL NO.		DIMENSIONS: mm INCH mm ONLY		SHT REV REVISE ON CAD ONLY									
10 UNDER 未満		10 OVER 以上		30 UNDER 未満		30 OVER 以上		FINISH 仕上げ		ANGLE 角度		DRAWN BY & DATE M.NABEI '03/12/15		CHECKED BY & DATE M.SASAO '03/12/15		APPROVED BY & DATE M.SASAO '03/12/15		CAD FILENAME SD-54132-061.S01		TITLE: EMBOSSED TAPE PACKAGE FOR 0.5 FPC CONN. ZIF -LEAD FREE-		MOLEX INCORPORATED		MATERIAL NO. SEE CHART		DRAWING NO. SD-54132-061		SHEET NO. 1 OF 2		SIZE B	
WIRE RANGE 適用電線範囲		INS. RANGE 適用外径		REV		DESCRIPTION		DESCRIPTION		THIS DRAWING CONTAINS INFORMATION THAT IS PROPRIETARY TO MOLEX INCORPORATED AND SHOULD NOT BE USED WITHOUT WRITTEN PERMISSION.		EN-02JK097) MXJ-54																			

DO NOT SCALE DRAWING

DWG. NO. SD-54132-061



44	49.4	45.4	30.8	31.6	26.1	29.6	54132-5097	50	
			28.3	29.4	23.6	27.1	-4597	45	
			27.3	28.4	22.6	26.1	-4397	43	
			25.8	26.9	21.1	24.6	-4097	40	
			24.8	25.9	20.1	23.6	-3897	38	
			23.8	24.9	19.1	22.6	-3697	36	
			23.3	24.4	18.6	22.1	-3597	35	
			22.8	23.9	18.1	21.6	-3497	34	
			22.3	23.4	17.6	21.1	-3397	33	
			21.8	22.9	17.1	20.6	-3297	32	
20.8	21.9	16.1	19.6	54132-3097	30				
キャリアテープ幅 CARRIER TAPE WIDTH		F	E	D	C	B	A	ENG. NO.	CKT.

DO NOT SCALE DRAWING		REVISED		RELEASED		MATERIAL		GENERAL TOLERANCES:		SCALE		DESIGN UNITS		MODEL NO.		DIMENSIONS:		SHT		REV			
EC NO. DRWN: CHK: APPR:		EC NO. DRWN: CHK: APPR:		EC NO. DRWN: CHK: APPR:		EC NO. DRWN: CHK: APPR:		FINISH		UNLESS SPECIFIED		mm		mm		THIRD ANGLE PROJECTION		mm		mm		mm	
A		A		O		O		//		10 UNDER 未満		DRAWN BY & DATE M.NABEI '03/12/15		TITLE: EMBOSSD TAPE PACKAGE FOR 0.5 FPC CONN. ZIF -LEAD FREE-		mm		mm		mm			
EC NO. J2004-2790 DRWN: HSHIMIZU CHK: M.SASAO APPR: M.SASAO		EC NO. J2004-2790 DRWN: HSHIMIZU CHK: M.SASAO APPR: M.SASAO		EC NO. J2004-1538 DRWN: M.NABEI CHK: M.SASAO APPR: M.SASAO		EC NO. J2004-1538 DRWN: M.NABEI CHK: M.SASAO APPR: M.SASAO		//		10 OVER 30 UNDER 未満		30 OVER 以上		CHECKED BY & DATE M.SASAO '03/12/15		MOLEX MOLEX INCORPORATED		mm		mm		mm	
EC NO. J2004-1538 DRWN: M.NABEI CHK: M.SASAO APPR: M.SASAO		EC NO. J2004-1538 DRWN: M.NABEI CHK: M.SASAO APPR: M.SASAO		EC NO. J2004-1538 DRWN: M.NABEI CHK: M.SASAO APPR: M.SASAO		EC NO. J2004-1538 DRWN: M.NABEI CHK: M.SASAO APPR: M.SASAO		//		30 OVER 以上		APPROVED BY & DATE M.SASAO '03/12/15		SEE CHART		DRAWING NO. SD-54132-061		mm		mm		mm	
INS. RANGE		INS. RANGE		INS. RANGE		INS. RANGE		//		ANGLE 角度		CAD FILENAME SD-54132-061.S02		MATERIAL NO.		DRAWING NO. SD-54132-061		mm		mm		mm	
//		//		//		//		//		3°		THIS DRAWING CONTAINS INFORMATION THAT IS PROPRIETARY TO MOLEX INCORPORATED AND SHOULD NOT BE USED WITHOUT WRITTEN PERMISSION.		SD-54132-061		SD-54132-061		mm		mm		mm	
8		7		6		5		4		3		2		1		EN-02J097) MXJ-54							

SD-54132-061.S02