

Excellent Integrated System Limited

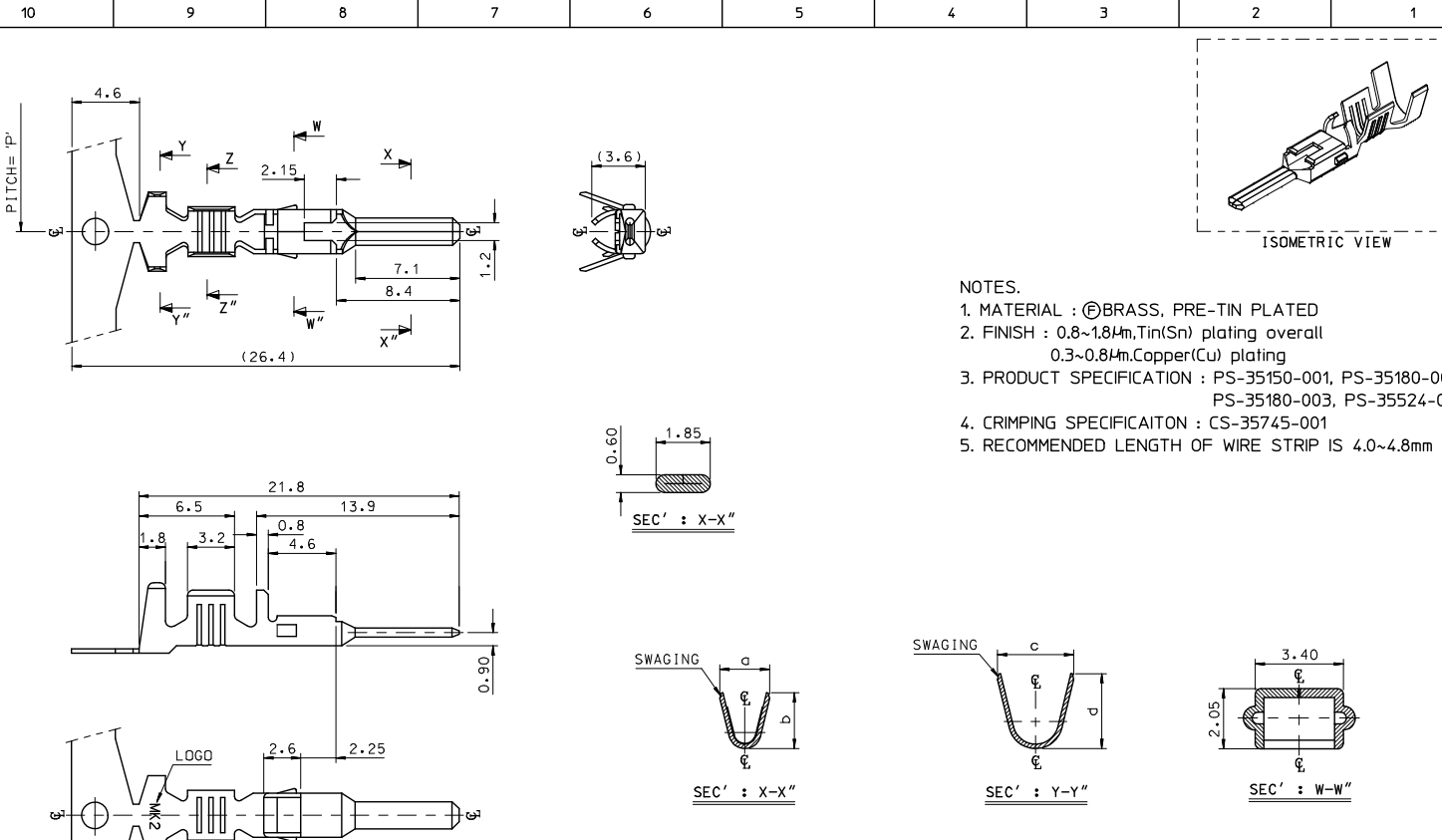
Stocking Distributor

Click to view price, real time Inventory, Delivery & Lifecycle Information:

[Molex Connector Corporation](#)
[0357450210](#)

For any questions, you can email us directly:

sales@integrated-circuit.com



NOTES.

1. MATERIAL : \odot BRASS, PRE-TIN PLATED
2. FINISH : 0.8~1.8 μ m,Tin(Sn) plating overall
0.3~0.8 μ m,Copper(Cu) plating
3. PRODUCT SPECIFICATION : PS-35150-001, PS-35180-002
PS-35180-003, PS-35524-001
4. CRIMPING SPECIFICATION : CS-35745-001
5. RECOMMENDED LENGTH OF WIRE STRIP IS 4.0~4.8mm

MATERIAL NO	ENG. No.	AWG	a	b	c	d	PITCH 'P'
357450210	35745-0210	#18-#14	3.4	3.8	5.2	4.8	12.0
357450110	35745-0110	#22-#20	2.85	2.8	4.2	4.0	10.6
357450410	35745-0410	#24	2.2	1.75	3.85	3.5	10.6

REVISED EC NO: KOR2009-0151 TIDRAWN:HPARK01 2009/05/18 CHKDWY:YANG 2009/06/18 APPR:JUNSIKKIM 2009/07/01	QUALITY SYMBOLS	GENERAL TOLERANCES (UNLESS SPECIFIED)	DIMENSION STYLE	SCALE	DESIGN UNITS	THIRD ANGLE PROJECTION
	$\nabla=0$ $\nabla=0$	mm INCH 4 PLACES \pm --- \pm --- 3 PLACES \pm --- \pm --- 2 PLACES ± 0.2 \pm --- 1 PLACE ± 0.3 \pm --- ANGULAR $\pm 1^\circ$	MM ONLY	4:1	METRIC	
			DRAWN BY JS.KANG DATE 1998/01/19 CHECKED BY BK.CHOI DATE 1998/01/19 APPROVED BY CW.LEE DATE 1998/01/19			TITLE
			MATERIAL NO. SEE TABLE DRAFT WHERE APPLICABLE MUST REMAIN WITHIN DIMENSIONS SIZE $\frac{A}{3}$ THIS DRAWING CONTAINS INFORMATION THAT IS PROPRIETARY TO MOLEX INCORPORATED AND SHOULD NOT BE USED WITHOUT WRITTEN PERMISSION			.070 MALE TERMINAL (A-TYPE) MOLEX INCORPORATED DOCUMENT NO. SD-35745-001 SHEET NO. 1 OF 01