

Excellent Integrated System Limited

Stocking Distributor

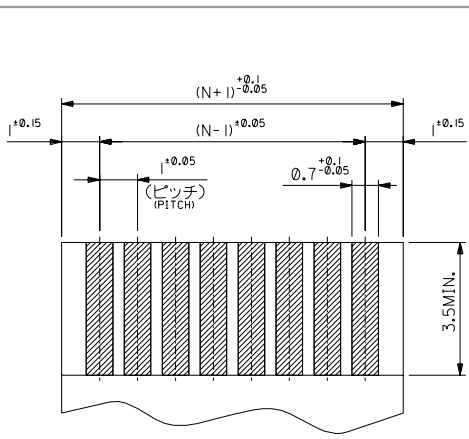
Click to view price, real time Inventory, Delivery & Lifecycle Information:

[Molex Connector Corporation](#)
[0527930470](#)

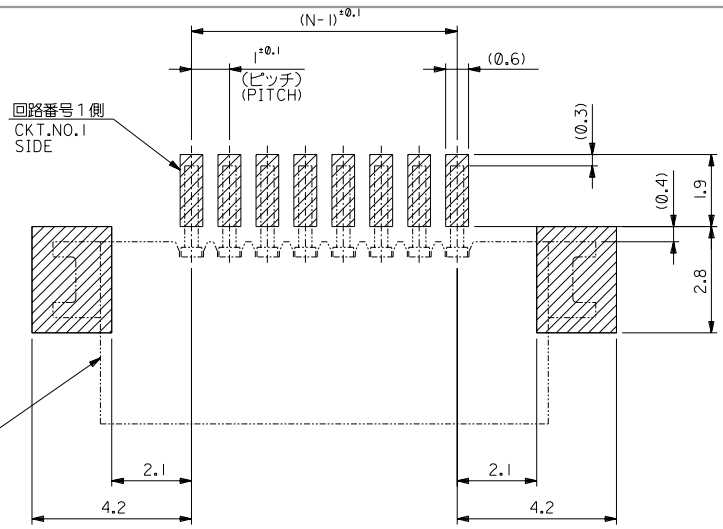
For any questions, you can email us directly:

sales@integrated-circuit.com

DWG. NO. SD-52793-011



(仕上がり厚さ) 0.3±0.03
THICKNESS
適用FPC推奨寸法
APPLICABLE FPC
RECOMMENDED DIMENSION.



参考基板レイアウト (マウント面)
RECOMMENDED P.C.BOARD
PATTERN DIMENSION (REF.)
(MOUNTING AREA)

注記 NOTES:

1. 使用材料 MATERIAL
ハウジング: PPS, UL94V-0
ターミナル: リン青銅 (t=0.25)
メッキ: ニッケル下地純銅ピンスメッキ
金具: リン青銅 (t=0.25)
メッキ: ニッケル下地純銅メッキ
 - HOUSING : PPS, UL94V-0
TERMINAL : PHOSPHOR BRONZE
PLATING : Sn-BI OVER Ni
FITTING NAIL : PHOSPHOR BRONZE
PLATING : Sn OVER Ni
- △ 基準面 [E] からのソルダーテールとフィッティングネイルの半田付け面のズレ量は、
上方向に0.1MAX.、下方向0.15MAX.とする。
MISALIGNMENT OF SOLDER TAIL AND FITTING NAIL FROM [E]
: UPPER DIRECTION 0.1 MAX., LOWER DIRECTION 0.15 MAX.
- △ 偶数極に適用。
APPLY FOR EVEN CKT.

4. 本製品は 52793-**-10 の鉛フリー品である。
THIS PRODUCT IS LEAD FREE OF 52793-**-10

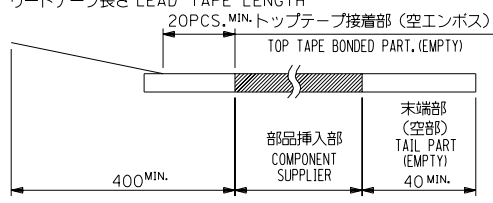
DO NOT SCALE DRAWING		EC NO. / DRAWN: / CHK'G: / APPR:		EC NO. / DRAWN: / CHK'G: / APPR:		EC NO. / DRAWN: / CHK'G: / APPR:		EC NO. / DRAWN: / CHK'G: / APPR:		SEE SHEET 1 OF 2	MATERIAL 材料 注記参照 SEE NOTES	GENERAL TOLERANCES: (UNLESS SPECIFIED) 一般公差	SCALE 10:1	DESIGN UNITS mm INCH	THIRD ANGLE PROJECTION	DIMENSIONS: mm INCH mm INCH mm ONLY	SHT 2	REV
											FINISH 仕上げ //	10 UNDER 未満 +0.2	DRAWN BY & DATE H.KAWABATA '03/12/09	TITLE: I.O FFC CONN. NON ZIF SMT R/A (UPPER CONTACT) -LEAD FREE-				
											WIRE RANGE 適用電線範囲 //	10 OVER 以上 30 UNDER 未満 +0.25	CHECKED BY & DATE K.TOJO '03/12/09	MOLEX INCORPORATED				
											INS. RANGE 被覆外径 //	30 OVER 以上 +0.3	APPROVED BY & DATE H. Saito '03/12/09	MATERIAL NO. 52793-**-19		DRAWING NO. SD-52793-011	SHEET NO. 2 OF 2	
											ANGLE 角度 ±3°	CAD FILENAME SD-52793-01LS02		MATERIAL NO. 52793-**-19		DRAWING NO. SD-52793-011	SIZE B	
											THIS DRAWING CONTAINS INFORMATION THAT IS PROPRIETARY TO MOLEX INCORPORATED AND SHOULD NOT BE USED WITHOUT WRITTEN PERMISSION.						EN-02J(097) MXJ-54	

DWG. NO. SD-52793-012

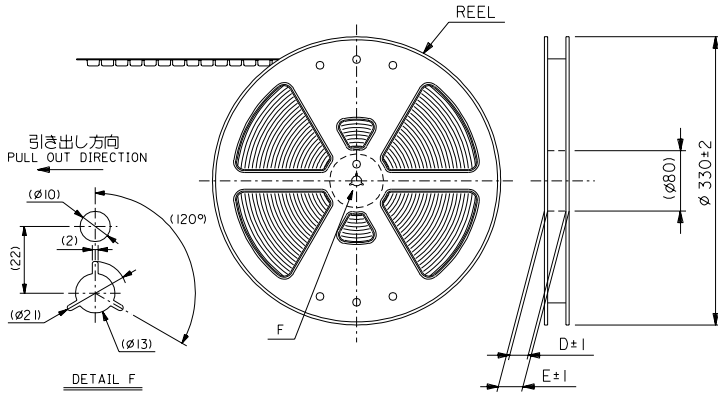
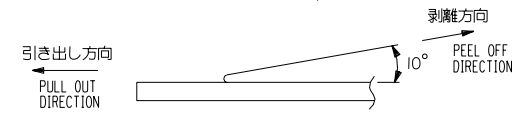
NOTES

- 製品詳細寸法については図面 SD-52793-011 を参照下さい。
RE DETAILED DIMENSION, SEE SD-52793-011.
- 梱包数量: 1000個/リール
NUMBER OF CONNECTORS : 1000PCS/REEL
- リードテープ長さ LEAD TAPE LENGTH
20PCS. MIN. トップテープ接着部 (空インボス)
TOP TAPE BONDED PART. (EMPTY)
- トップテープの剥離強度: 0.1-1.3 N(10-130gf) (剥離方向は下図参照) 尚、本規格値は出荷時に適用。(但し、輸送時に剥離が発生しないこと。)
PEELING OFF FORCE OF TOP TAPE : 0.1-1.3 N(10-130gf) (PEELING DIRECTION AS SHOWN IN FOLLOWING FIG.) THIS REQUIREMENT SHOULD BE APPLIED AT SHIPMENT. PEEL OFF SHOULD NOT BE ALLOWED ,DURING TRANSPORTATION.
- 材料 (MATERIAL)
キャリアテープ (CARRIER TAPE): ポリプロピレン (POLYPROPYLENE)
トップテープ (TOP TAPE): PET, PE, PEF
リール (REEL): ポリスチレン (PS) <リサイクル材を含む>
POLYSTYRENE (PS) <RECYCLE MATERIAL CONTAINED>
- 本製品は 52793-***90 の鉛フリー品である。
THIS PRODUCT IS LEAD FREE OF 52793-***90

引き出し方向
PULL OUT DIRECTION



引き出し方向
PULL OUT DIRECTION



DO NOT SCALE DRAWING

EC NO. DRAWN: CHK: APPR:	EC NO. DRAWN: CHK: APPR:	EC NO. DRAWN: CHK: APPR:	REVISED EC NO. J2004-2778 DRAWN: SHIMABUKURO CHK: K.TOJO APPR: M.SASAO	RELEASED EC NO. J2004-1419 DRAWN: MANAGATA CHK: K.TOJO APPR: M.SASAO	MATERIAL 材料 注記参照 SEE NOTES
					FINISH 仕上げ //
					WIRE RANGE 適用電線範囲 //
					INS. RANGE 適用外径 //

52793-***70		MODEL NO.	
DIMENSIONS: mm INCH		SHT REV REVISE ON CAD ONLY	
THIRD ANGLE PROJECTION		TITLE: I,O FFC Conn Assy NON ZIF SMT RA Upper Contact Embstp Pkg -LEAD FREE-	
SCALE 1:1		DESIGN UNITS mm INCH	
GENERAL TOLERANCES: (UNLESS SPECIFIED) 10 UNDER 未満 +0.2 10 OVER 以上 30 UNDER 未満 +0.25 30 OVER 以上 +0.3		DRAWN BY & DATE M.NAGATA '03/12/09 CHECKED BY & DATE K.TOJO '03/12/09 APPROVED BY & DATE M.SASAO '03/12/09	
ANGLE 角度 *3'		CAD FILENAME SD-52793-012.S01	
THIS DRAWING CONTAINS INFORMATION THAT IS PROPRIETARY TO MOLEX INCORPORATED AND SHOULD NOT BE USED WITHOUT WRITTEN PERMISSION.			
MATERIAL NO. SEE CHART		DRAWING NO. SD-52793-012	
MOLEX INCORPORATED		SHEET NO. 1 OF 5	
		SIZE B	
EN-02J(097) MXJ-54			

52793-012

DWG. NO. SD-52793-012

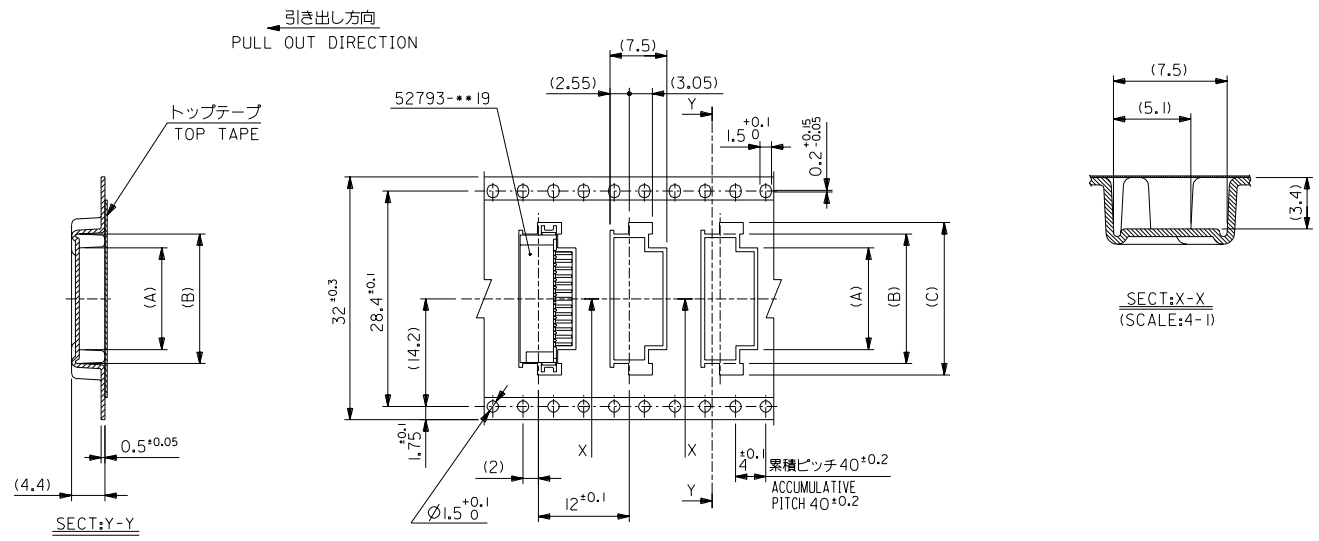
F

D

C

B

DO NOT SCALE DRAWING



32mm幅キャリアテープ
32mm WIDTH CARRIER TAPE

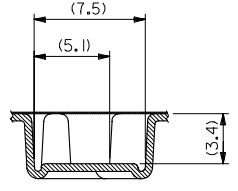
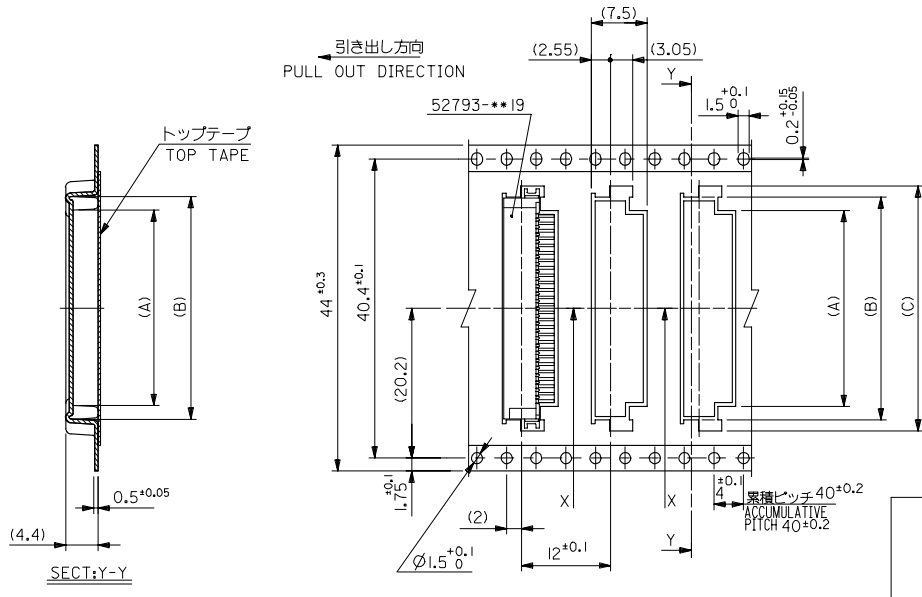
32	37.4	33.4	23.1	20.1	16.4	52793-1670	16		
			22.1	19.1	15.4	52793-1570	15		
			21.1	18.1	14.4	52793-1470	14		
			20.1	17.1	13.4	52793-1370	13		
			19.1	16.1	12.4	52793-1270	12		
キャリアテープ幅 CARRIER TAPE WIDTH			E	D	(C)	(B)	(A)	MATERIAL NO.	極致 CIRCUIT

EC NO. DRAWN: CHK: APPR:		EC NO. DRAWN: CHK: APPR:		EC NO. DRAWN: CHK: APPR:		REVISED EC NO. J2004-2778 DRAWN: HSHIMABUKURO WJZ CHK: K.TOJO WJZ APPR: M.SASAO WJZ		RELEASED EC NO. J2004-1419 DRAWN: MANAGATA WJZ CHK: K.TOJO WJZ APPR: M.SASAO WJZ		MATERIAL 材料 SHEET 1 OF 5 参照 REFER TO SHEET 1 OF 5		GENERAL TOLERANCES: (UNLESS SPECIFIED) 10 UNDER 未満 +0.2 10 OVER 以上 30 UNDER 未満 +0.25 30 OVER 以上 +0.3		SCALE --- DESIGN UNITS mm INCH		MODEL NO. 52793-70		DIMENSIONS: THIRD ANGLE PROJECTION mm INCH mm INCH mm ONLY		SHT REV									
A		O		REV		FINISH 仕上げ		WIRE RANGE 適用電線範囲		INS. RANGE 適用外径		DRAWN BY & DATE M.NAGATA '03/12/09		CHECKED BY & DATE K.TOJO '03/12/09		APPROVED BY & DATE M.SASAO '03/12/09		CAD FILENAME SD-52793-012.S03		TITLE: 1.0 FFC Conn Assy NON ZIF SMT RA Upper Contact Embstp Pkg -LEAD FREE-		MATERIAL NO. SEE CHART		DRAWING NO. SD-52793-012		SHEET NO. 3 OF 5		SIZE B	
8		7		6		5		4		3		2		1		EN-02J(097) MXJ-54													

SD-52793-012-03

10 9 8 7 6 5 4 3 2 1

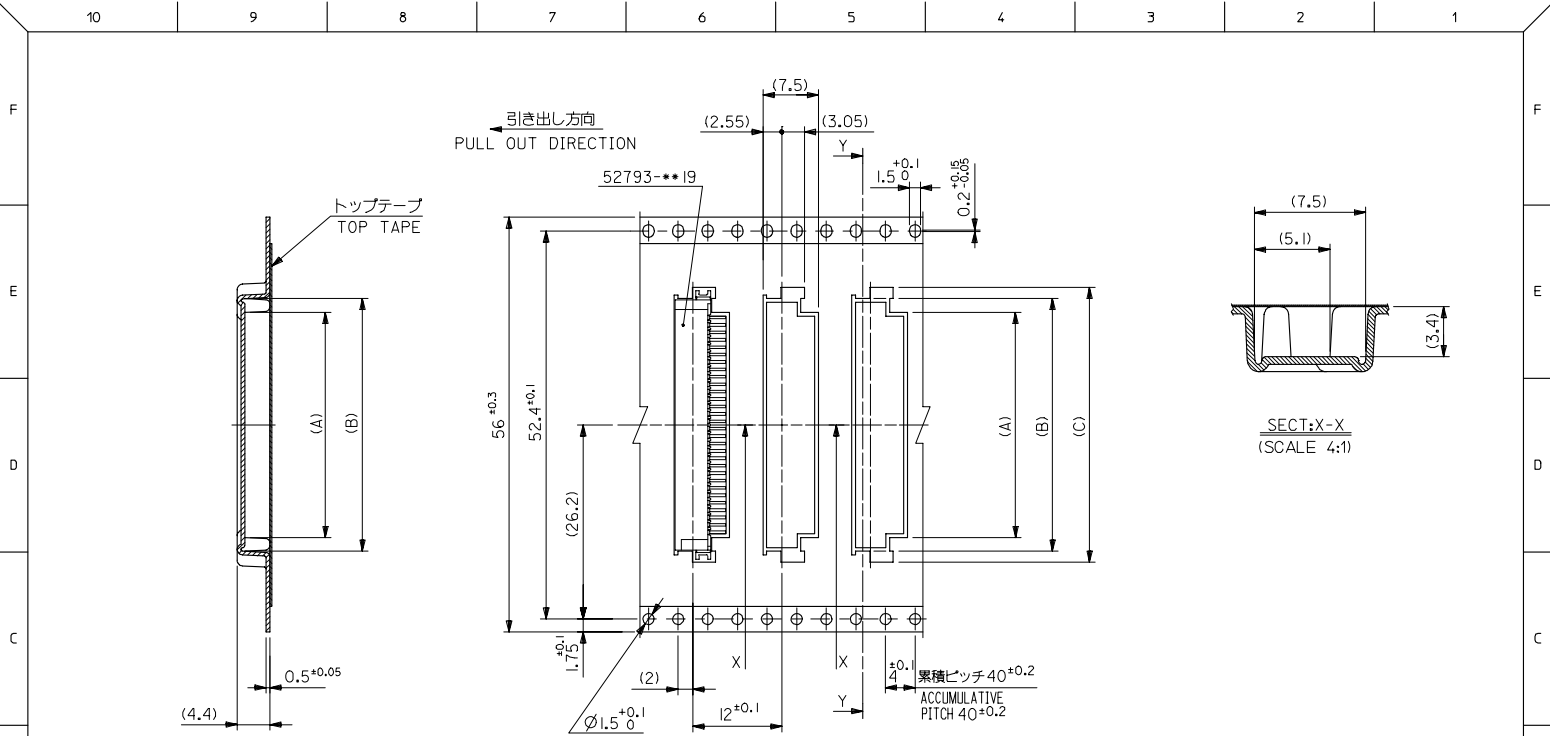
F
E
D
C
B
A



4mm幅キャリアテープ
44mm WIDTH CARRIER TAPE

44	49.4	45.4	34.1	31.1	27.4	52793-2770	27
			33.1	30.1	26.4	52793-2670	26
			32.1	29.1	25.4	52793-2570	25
			31.1	28.1	24.4	52793-2470	24
			30.1	27.1	23.4	52793-2370	23
			29.1	26.1	22.4	52793-2270	22
			28.1	25.1	21.4	52793-2170	21
			27.1	24.1	20.4	52793-2070	20
			26.1	23.1	19.4	52793-1970	19
			25.1	22.1	18.4	52793-1870	18
24.1	21.1	17.4	52793-1770	17			
キャリアテープ幅 CARRIER TAPE WIDTH	E	D	(C)	(A)	MATERIAL NO.	52793-**-70	MODEL NO.

REVISIONS EC NO: J2006-0384 DRAWN: N. NAITA CHECKED: T. YODA APPR: N. NAITA DATE: 2005/08/08 DATE: 2005/08/09 DATE: 2005/08/22	GENERAL TOLERANCES (UNLESS SPECIFIED)		DIMENSION STYLE	SCALE	DESIGN UNITS	THIRD ANGLE	
	10 UNDER	±0.2	MM ONLY	---	METRIC	PROJECTION	
	10 OVER 30 UNDER	±0.25					
	30 OVER	±0.3					
	ANGULAR	±3 °					
	DRAFT WHERE APPLICABLE MUST REMAIN WITHIN DIMENSIONS		MATERIAL NO.	DOCUMENT NO.	SHEET NO.		
			SEE CHART	SD-52793-012	4 OF 5		
	THIS DRAWING CONTAINS INFORMATION THAT IS PROPRIETARY TO MOLEX INCORPORATED AND SHOULD NOT BE USED WITHOUT WRITTEN PERMISSION						



56mm幅キャリアテープ
56mm WIDTH CARRIER TAPE

56	61.4	57.4	37.1	34.1	30.4	52793-3070	30
			36.1	33.1	29.4	52793-2970	29
			35.1	32.1	28.4	52793-2870	28
キャリアテープ幅 CARRIER TAPE WIDTH	E	D	(C)	(B)	(A)	MATERIAL NO.	種数 CIRCUIT

REVISIONS EC NO: J2006-0384 DRAWN: N. IIDA CHECKED: T. YODA APPR: N. IIDA DATE: 2005/08/08, 2005/08/09, 2005/08/22	GENERAL TOLERANCES (UNLESS SPECIFIED)		DIMENSION STYLE	SCALE	DESIGN UNITS	MODEL NO.
			MM ONLY	---	METRIC	THIRD ANGLE PROJECTION
	10 UNDER	±0.2	DRAWN BY	DATE	TITLE	
	10 OVER 30 UNDER	±0.25	M. NAGATA	'03/12/09	1.0 FFC CONN. NON ZIF SMT RA EMBSTP PKG -LEAD FREE-	
30 OVER	±0.3	CHECKED BY	DATE	APPROVED BY		MOLEX INCORPORATED MATERIAL NO. SEE CHART DOCUMENT NO. SD-52793-012 SHEET NO. 5 OF 5
ANGULAR	±3 °	K. TOJO	'03/12/09	M. SASAO	'03/12/09	
DRAFT WHERE APPLICABLE MUST REMAIN WITHIN DIMENSIONS		SIZE A3		THIS DRAWING CONTAINS INFORMATION THAT IS PROPRIETARY TO MOLEX INCORPORATED AND SHOULD NOT BE USED WITHOUT WRITTEN PERMISSION		