

## Excellent Integrated System Limited

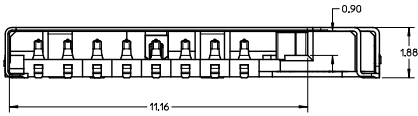
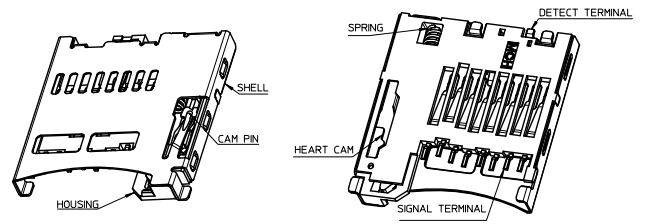
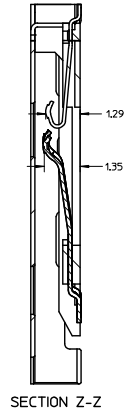
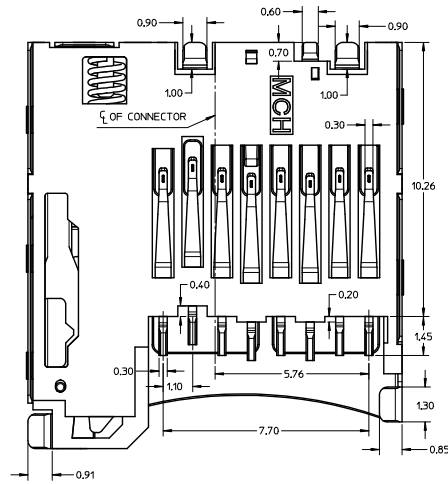
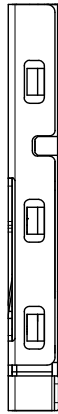
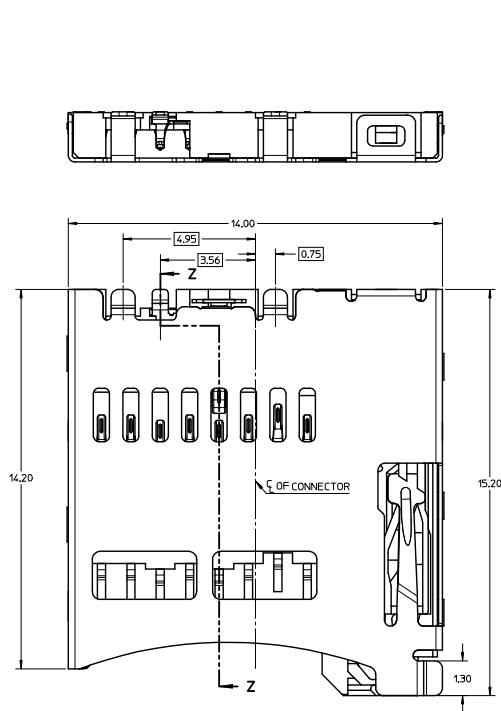
Stocking Distributor

Click to view price, real time Inventory, Delivery & Lifecycle Information:

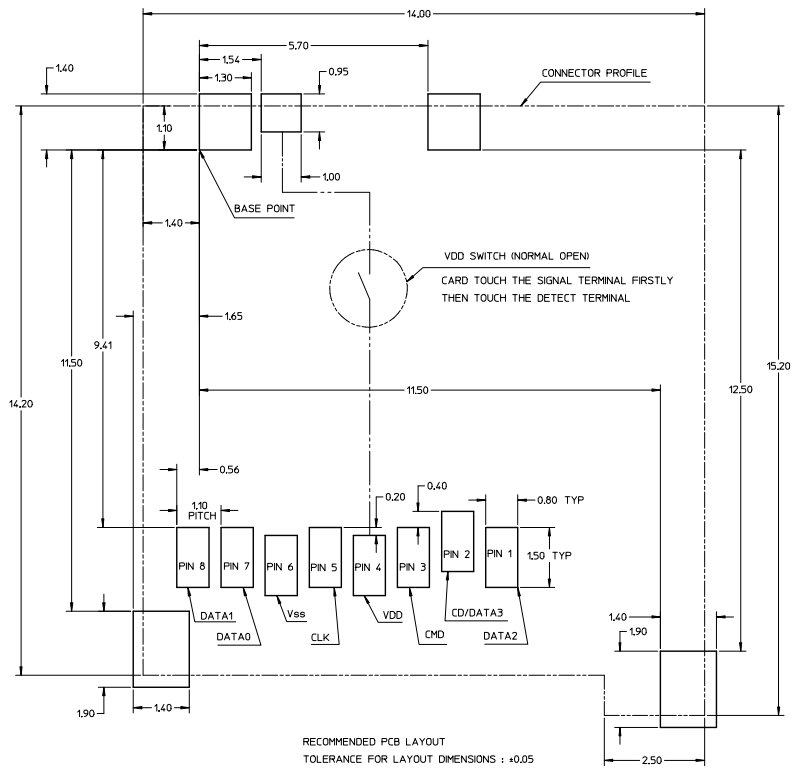
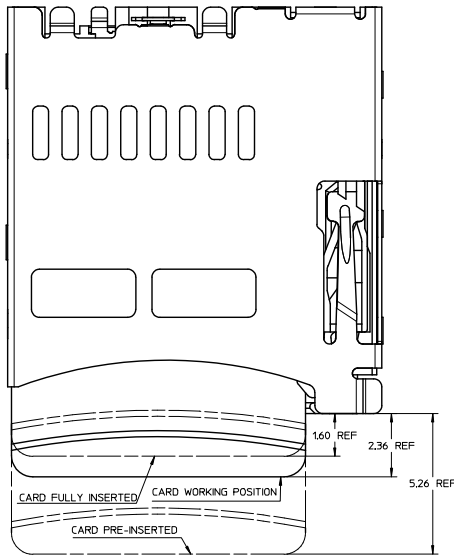
[Molex Connector Corporation](#)  
[0473521001](#)

For any questions, you can email us directly:

[sales@integrated-circuit.com](mailto:sales@integrated-circuit.com)



REVISED IEC NO: SH2016-0168 G1 DRW: NAWANG17 2015/11/23 CHYKCDXOZHANG 2015/11/23 APPR: AYIN 2016/09/17	QUALITY SYMBOLS ▽=0 ▽=0 ▽=0	GENERAL TOLERANCES (UNLESS SPECIFIED)		DIMENSION STYLE MM ONLY		SCALE 10:1	DESIGN UNITS METRIC	THIRD ANGLE PROJECTION
		4 PLACES ±--- ±---	mm INCH	DRAWN BY GLLJ	DATE 2012/07/10	TITLE TFR&MICRO SD READER PUSH PUSH TYPE VDD DETECT SWITCH		
		3 PLACES ±--- ±---		CHECKED BY DATE	DATE 2012/08/01	molex		
		1 PLACE ±--- ±---		APPROVED BY AYIN	DATE 2012/08/01	MATERIAL NO. 47352-0001	DOCUMENT NO. SD-47352-001	
0 PLACE ±--- ±---		ANGULAR ±1/2°		DRAFT WHERE APPLICABLE MUST REMAIN WITHIN DIMENSIONS		THIS DRAWING CONTAINS INFORMATION THAT IS PROPRIETARY TO MOLEX INCORPORATED AND SHOULD NOT BE USED WITHOUT WRITTEN PERMISSION		

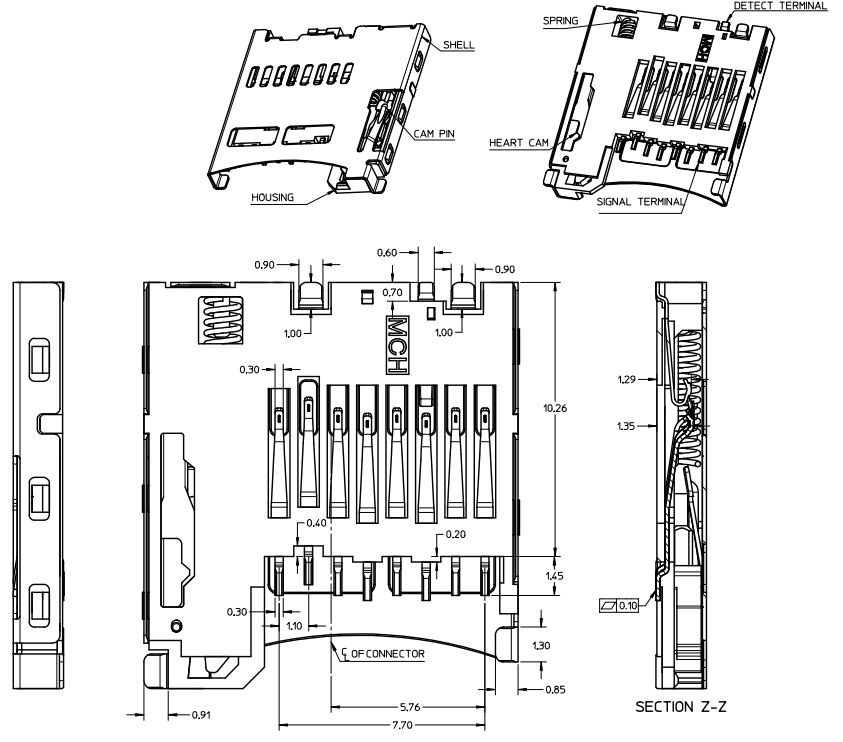
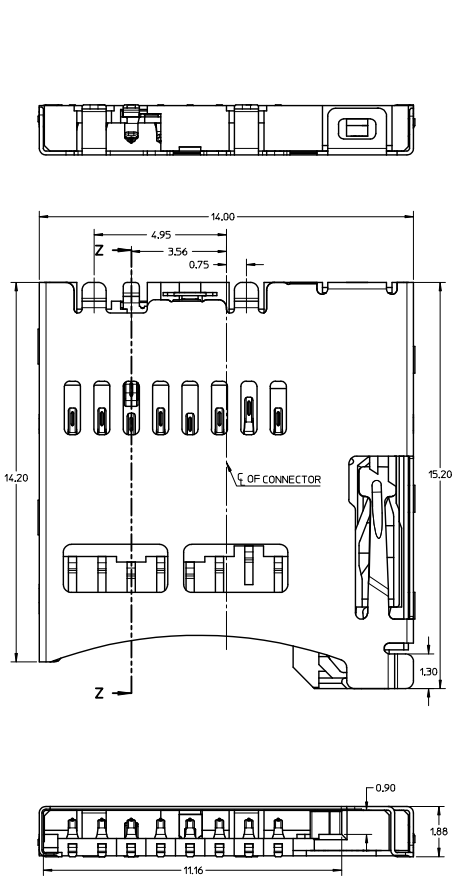


**NOTES:**

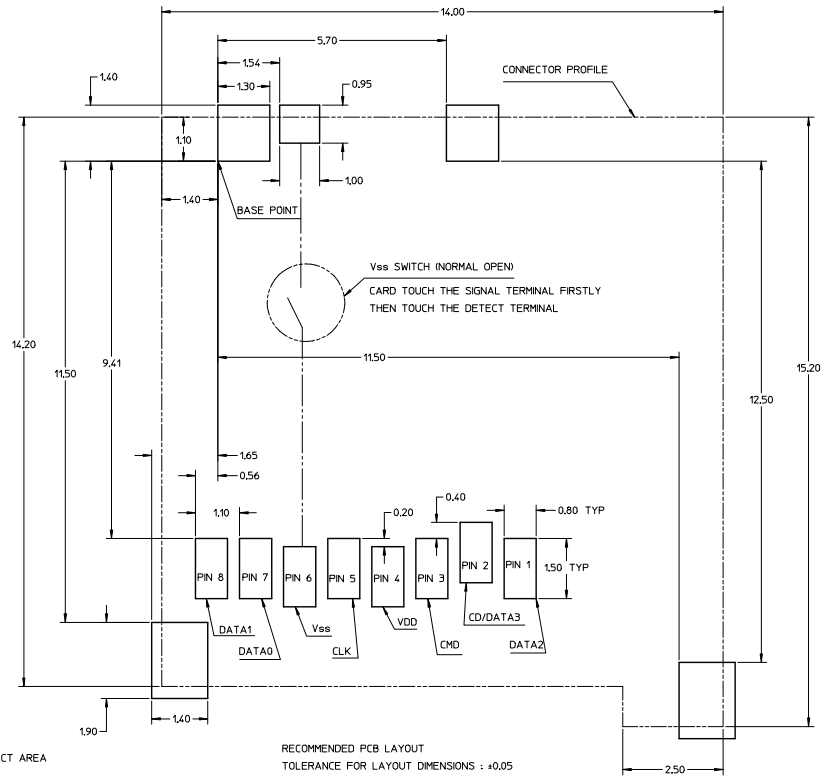
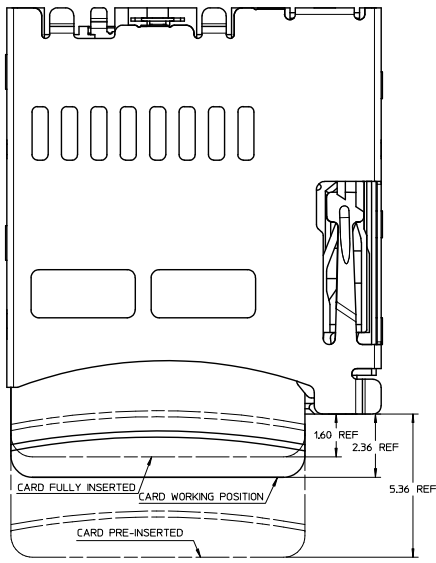
- 1 MATERIAL:**  
 1-1 SIGNAL TERMINAL, DETECT TERMINAL : COPPER ALLOY  
 1-2 SHELL, CAM PIN, SPRING : STAINLESS STEEL  
 1-3 HOUSING, CAM : LCP, UL 94-V0, BLACK
- 2 FINISH:**  
 2-1 SIGNAL & DETECT TERMINAL : NICKEL UNDERPLATED, GOLD PLATING ON CONTACT AREA  
 TIN PLATING ON SOLDER TAIL  
 2-2 SHELL : GOLD FLASH OVER NICKEL UNDERPLATED ON SOLDER PAD
- 3 MECHANICAL SPECIFICATION:**  
 REPEATED 5,000 TIMES MATING AND UNMATING CYCLES AND STILL MEET ELECTRICAL CHARACTERISTICS
- 4 ELECTRICAL SPECIFICATION:**  
 4-1 RATED CURRENT (PER CONTACT) : 0.5AMPS MAX AND TEMPERATURE RISE SHOULD BE 30°C MAX  
 4-2 INSULATION RESISTANCE(IR) : 100 MEGOHMS MIN.  
 4-3 DIELECTRIC WITHSTANDING VOLTAGE : 500 VAC  
 4-4 CONTACT RESISTANCE: 100 MILLIOHMS MAX

RECOMMENDED PCB LAYOUT  
 TOLERANCE FOR LAYOUT DIMENSIONS : +0.05

SEE SHEET 1 IEC NO: SH2016-0068 DRAWING NO: 201511173 G DRW: NANNING77 CHK: XIAOZHANG APPR: AYIN 2016/05/17	QUALITY SYMBOLS ▽=0 ▽=0 ▽=0	GENERAL TOLERANCES (UNLESS SPECIFIED)		DIMENSION STYLE MM ONLY		SCALE 10:1	DESIGN UNITS METRIC	THIRD ANGLE PROJECTION
		4 PLACES ±--- ±--- 3 PLACES ±--- ±--- 2 PLACES ±0.15 ±--- 1 PLACE ±--- ±--- 0 PLACE ±--- ±---	mmm INCH	DRAWN BY GLLI	DATE 2012/07/10	TITLE TFR&MICRO SD READER PUSH PUSH TYPE VDD DETECT SWITCH		
		ANGULAR ±1/2°		CHECKED BY AYIN	DATE 2012/08/01	molex		
		DRAFT WHERE APPLICABLE MUST REMAIN WITHIN DIMENSIONS		MATERIAL NO. 47352-0001	DOCUMENT NO. SD-47352-001	SHEET NO. 2 OF 2		



REVISIONS REV. 1: 2012/01/11 REV. 2: 2012/06/13 REV. 3: 2012/08/01	QUALITY SYMBOLS □=0 ▽=0 ▽=0	GENERAL TOLERANCES (UNLESS SPECIFIED) mm      INCH		DIMENSION STYLE MM ONLY		SCALE 10:1	DESIGN UNITS METRIC	THIRD ANGLE PROJECTION
		4 PLACES ±--- ±--- 3 PLACES ±--- ±--- 2 PLACES ±0.15 ±--- 1 PLACE ±--- ±--- 0 PLACE ±--- ±---	DRAWN BY: GLL CHECKED BY: XQ ZHANG APPROVED BY: AYIN	DATE: 2012/06/13 DATE: 2012/06/13 DATE: 2012/08/01	TITLE: TFR&MICRO SD CARD READER PUSH PUSH TYPE VSS DETECT SWITCH <b>molex</b>		SHEET NO. 1 OF 2	
MATERIAL NO. 47352-1001		DOCUMENT NO. SD-47352-101		INCORPORATED AND SHOULD NOT BE USED WITHOUT WRITTEN PERMISSION				



**NOTES:**

- 1 MATERIAL:
  - 1-1 SIGNAL TERMINAL, DETECT TERMINAL : COPPER ALLOY
  - 1-2 SHELL, CAM PIN, SPRING : STAINLESS STEEL
  - 1-3 HOUSING, CAM : LCP, UL 94-V0, BLACK
- 2 FINISH:
  - 2-1 SIGNAL TERMINAL : NICKEL(125 MICRONS MINIMUM) UNDERPLATED, GOLD(0.5 MICRONS MINIMUM) PLATING ON CONTACT AREA TIN(2.5 MICRONS MINIMUM) PLATING ON SOLDER TAIL
  - 2-2 DETECT PIN: NICKEL(125 MICRONS MINIMUM) UNDERPLATED, GOLD(0.125 MICRONS MINIMUM) PLATING ON CONTACT AREA TIN(2.5 MICRONS MINIMUM) PLATING ON SOLDER TAIL
  - 2-3 SHELL : GOLD FLASH(0.025 MICRONS MINIMUM) OVER NICKEL(125 MICRONS MINIMUM) UNDERPLATED ON SOLDER PAD
- 3 MECHANICAL SPECIFICATION:
  - REPEATED 5,000 TIMES MATING AND UNMATING CYCLES AND STILL MEET ELECTRICAL CHARACTERISTICS
- 4 ELECTRICAL SPECIFICATION:
  - 4-1 RATED CURRENT (PER CONTACT) : 0.5AMPS MAX AND TEMPERATURE RISE SHOULD BE 30°C MAX
  - 4-2 INSULATION RESISTANCE(UR) : 100 MEGOHMS MIN.
  - 4-3 DIELECTRIC WITHSTANDING VOLTAGE : 500 VAC
  - 4-4 CONTACT RESISTANCE: 100 MILLIOHMS MAX

SEE SHEET 1 IEC NO: SH2016-0168 DRAWING NO: 201511173 CHKD: XZhang APPR: AY IN 2016/05/17	QUALITY SYMBOLS	GENERAL TOLERANCES (UNLESS SPECIFIED)	DIMENSION STYLE	SCALE	DESIGN UNITS	THIRD ANGLE PROJECTION
	▽=0	mm INCH	MM ONLY	10:1	METRIC	
	▽=0	4 PLACES ±--- ±---	DRAWN BY	DATE	TITLE	
	▽=0	3 PLACES ±--- ±---	GLL I	2012/06/13	TFR&MICRO SD CARD READER PUSH PUSH TYPE VSS DETECT SWITCH	
	2 PLACES ±0.15 ±---	1 PLACE ±--- ±---	0 PLACE ±--- ±---	2012/06/13	molex	
	ANGULAR ± 3°	MATERIAL NO.	DOCUMENT NO.	SHEET NO.		
	DRAFT WHERE APPLICABLE MUST REMAIN WITHIN DIMENSIONS	47352-1001	SD-47352-101	2 OF 2		
		SIZE A2	THIS DRAWING CONTAINS INFORMATION THAT IS PROPRIETARY TO MOLEX INCORPORATED AND SHOULD NOT BE USED WITHOUT WRITTEN PERMISSION			