

Excellent Integrated System Limited

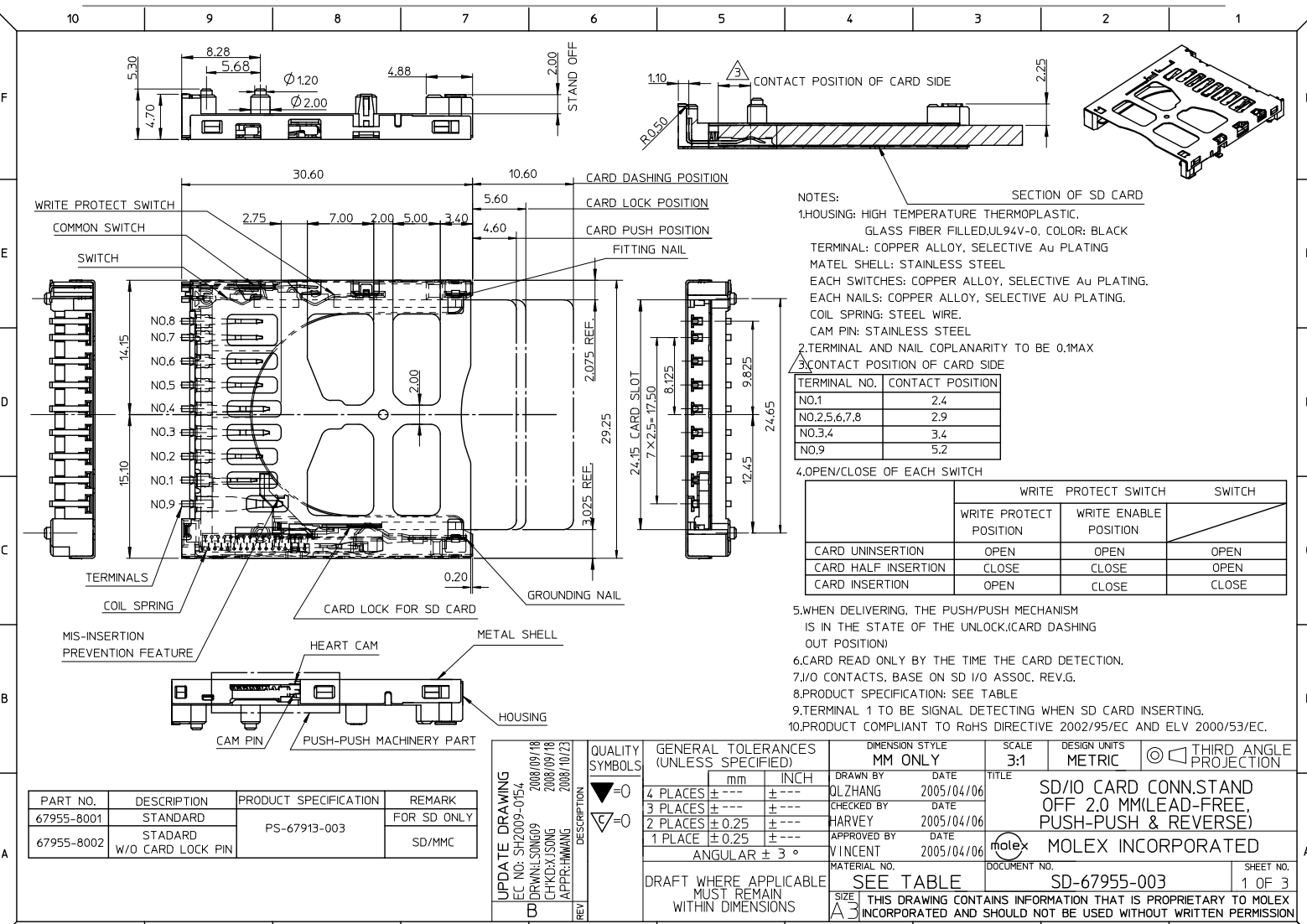
Stocking Distributor

Click to view price, real time Inventory, Delivery & Lifecycle Information:

[Molex Connector Corporation](#)
[0679558001](#)

For any questions, you can email us directly:

sales@integrated-circuit.com



PART NO.	DESCRIPTION	PRODUCT SPECIFICATION	REMARK
67955-8001	STANDARD	PS-67913-003	FOR SD ONLY
67955-8002	STADARD W/O CARD LOCK PIN		SD/MMC

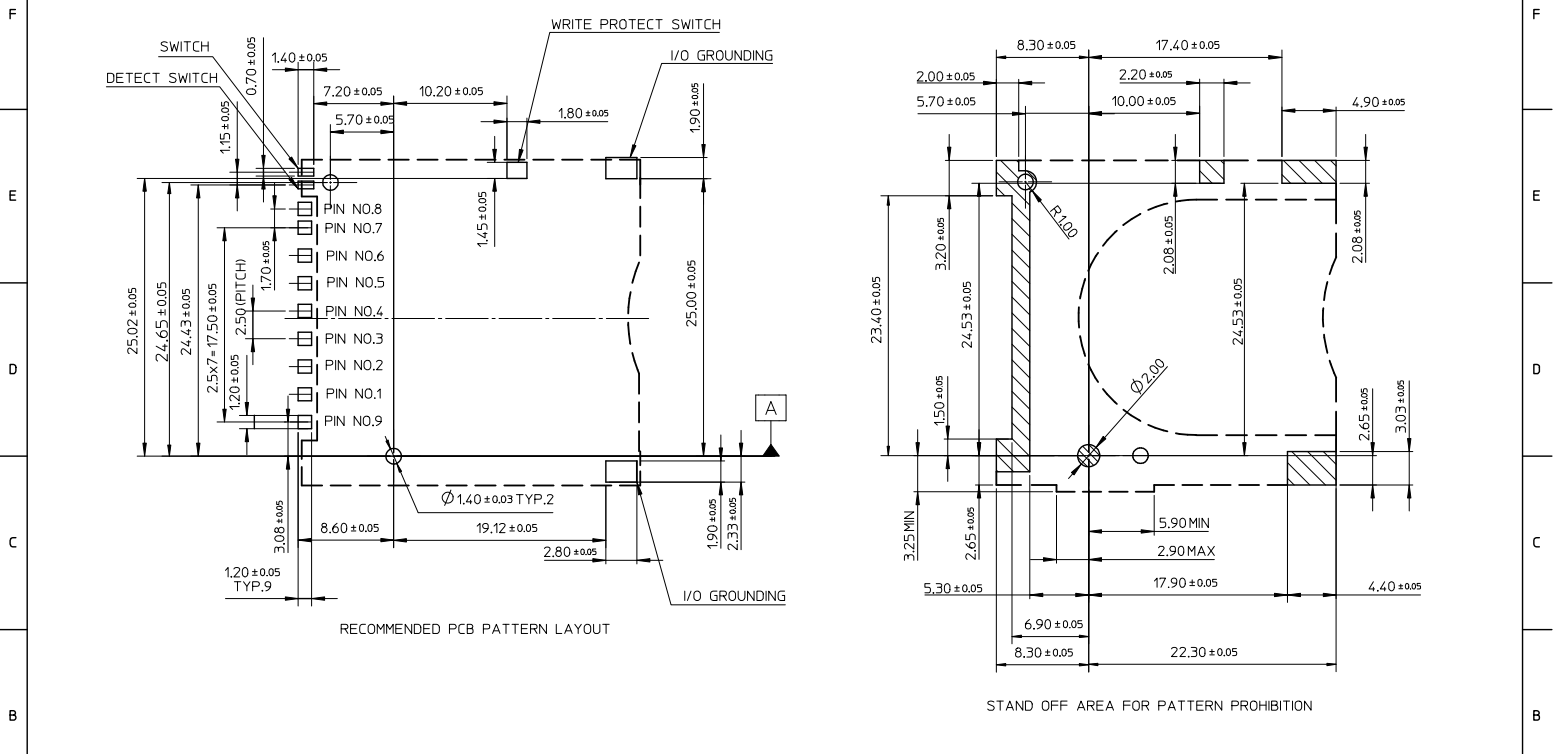
UPDATE DRAWING
EC NO: SH2009-0154
2008/09/18
DRAWN:SONG9
2008/09/18
CHKD:X.SONG
2008/10/23
APPR:HWANG

QUALITY SYMBOLS	GENERAL TOLERANCES (UNLESS SPECIFIED)	
	mm	INCH
▽=0	4 PLACES ±---	±---
▽=0	3 PLACES ±---	±---
	2 PLACES ±0.25	±---
	1 PLACE ±0.25	±---
	ANGULAR ± 3°	

DRAFT WHERE APPLICABLE MUST REMAIN WITHIN DIMENSIONS

DIMENSION STYLE		SCALE	DESIGN UNITS	THIRD ANGLE PROJECTION
MM ONLY		3:1	METRIC	
DRAWN BY	DATE	TITLE		
OLZHANG	2005/04/06	SD/I/O CARD CONN.STAND OFF 2.0 MM(LEAD-FREE, PUSH-PUSH & REVERSE)		
CHECKED BY	DATE	MOLEX INCORPORATED		
HARVEY	2005/04/06			
APPROVED BY	DATE	MATERIAL NO.	DOCUMENT NO.	SHEET NO.
VINCENT	2005/04/06	SEE TABLE	SD-67955-003	1 OF 3
THIS DRAWING CONTAINS INFORMATION THAT IS PROPRIETARY TO MOLEX INCORPORATED AND SHOULD NOT BE USED WITHOUT WRITTEN PERMISSION				

10 9 8 7 6 5 4 3 2 1



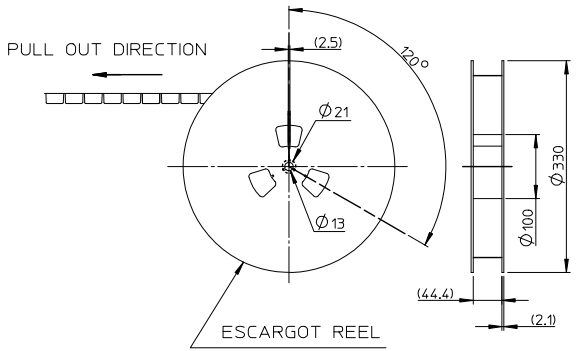
RECOMMENDED PCB PATTERN LAYOUT

STAND OFF AREA FOR PATTERN PROHIBITION

SEE SHEET 1 EC NO: SH2009-0154 2008/09/18 DRAWN:SONG09 2008/09/18 CHKD:XJSONG 2008/10/23 APPR:HWANG 2008/10/23 DESCRIPTION REV	QUALITY SYMBOLS	GENERAL TOLERANCES (UNLESS SPECIFIED)	DIMENSION STYLE	SCALE	DESIGN UNITS	THIRD ANGLE PROJECTION																				
	$\nabla=0$ $\nabla=0$	<table border="1"> <tr> <th></th> <th>mm</th> <th>INCH</th> </tr> <tr> <td>4 PLACES</td> <td>± 0.15</td> <td>± 0.005</td> </tr> <tr> <td>3 PLACES</td> <td>± 0.25</td> <td>± 0.010</td> </tr> <tr> <td>2 PLACES</td> <td>± 0.25</td> <td>± 0.010</td> </tr> <tr> <td>1 PLACE</td> <td>± 0.25</td> <td>± 0.010</td> </tr> <tr> <td colspan="3">ANGULAR ± 3°</td> </tr> </table>		mm	INCH	4 PLACES	± 0.15	± 0.005	3 PLACES	± 0.25	± 0.010	2 PLACES	± 0.25	± 0.010	1 PLACE	± 0.25	± 0.010	ANGULAR ± 3°			MM ONLY	3:1	METRIC			
		mm	INCH																							
	4 PLACES	± 0.15	± 0.005																							
3 PLACES	± 0.25	± 0.010																								
2 PLACES	± 0.25	± 0.010																								
1 PLACE	± 0.25	± 0.010																								
ANGULAR ± 3°																										
DRAFT WHERE APPLICABLE MUST REMAIN WITHIN DIMENSIONS	<table border="1"> <tr> <td>DRAWN BY</td> <td>DATE</td> <td>TITLE</td> </tr> <tr> <td>QJZHANG</td> <td>2005/04/06</td> <td>SD/IO CARD CONN.STAND OFF 2.0 MM(LEAD-FREE, PUSH-PUSH & REVERSE)</td> </tr> <tr> <td>CHECKED BY</td> <td>DATE</td> <td></td> </tr> <tr> <td>HARVEY</td> <td>2005/04/06</td> <td></td> </tr> <tr> <td>APPROVED BY</td> <td>DATE</td> <td></td> </tr> <tr> <td>VINCENT</td> <td>2005/04/06</td> <td></td> </tr> </table>	DRAWN BY	DATE	TITLE	QJZHANG	2005/04/06	SD/IO CARD CONN.STAND OFF 2.0 MM(LEAD-FREE, PUSH-PUSH & REVERSE)	CHECKED BY	DATE		HARVEY	2005/04/06		APPROVED BY	DATE		VINCENT	2005/04/06		<table border="1"> <tr> <td>MATERIAL NO.</td> <td>DOCUMENT NO.</td> <td>SHEET NO.</td> </tr> <tr> <td>SEE SHEET 1</td> <td>SD-67955-003</td> <td>2 OF 3</td> </tr> </table>	MATERIAL NO.	DOCUMENT NO.	SHEET NO.	SEE SHEET 1	SD-67955-003	2 OF 3
DRAWN BY	DATE	TITLE																								
QJZHANG	2005/04/06	SD/IO CARD CONN.STAND OFF 2.0 MM(LEAD-FREE, PUSH-PUSH & REVERSE)																								
CHECKED BY	DATE																									
HARVEY	2005/04/06																									
APPROVED BY	DATE																									
VINCENT	2005/04/06																									
MATERIAL NO.	DOCUMENT NO.	SHEET NO.																								
SEE SHEET 1	SD-67955-003	2 OF 3																								
THIS DRAWING CONTAINS INFORMATION THAT IS PROPRIETARY TO MOLEX INCORPORATED AND SHOULD NOT BE USED WITHOUT WRITTEN PERMISSION																										

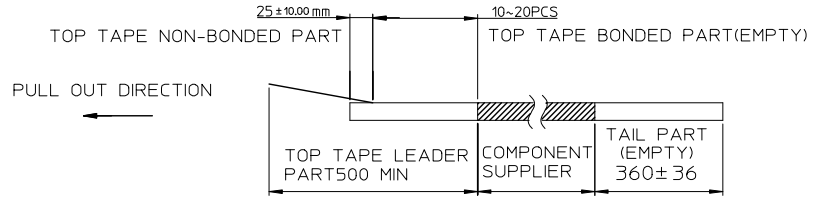
9 8 7 6 5 4 3 2 1

10 9 8 7 6 5 4 3 2 1

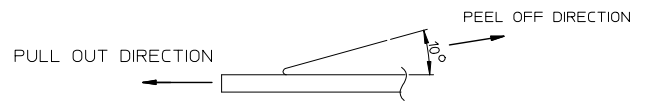


NOTES

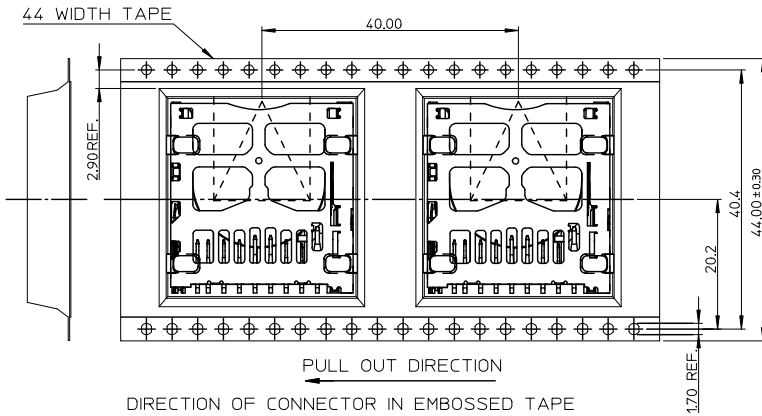
1. NUMBER OF CONNECTORS:250 PCS/REEL
- 2.



3. PEEL OFF FORCE OF TOP TAPE: 0.1~1.3 N (10.2~130gf)
PEELING DIRECTION AS SHOWN IN FOLLOWING FIG.)
(PEEL OFF SPEED: 300mm/min.REF.)



4. PACKAGING DRAWING REFERS TO PK-67955-001.



SEE SHEET 1 IEC NO: SH2009-0154 DRAWN BY: DR. WANG SONG CHK'D BY: CHEN XIAO SONG APPR: HWANG 2008/09/18 2008/09/18 2008/10/23	QUALITY SYMBOLS	GENERAL TOLERANCES (UNLESS SPECIFIED)		DIMENSION STYLE MM ONLY		SCALE 1:1	DESIGN UNITS METRIC	THIRD ANGLE PROJECTION
	▽=0	4 PLACES ±---	±---	DRAWN BY OLZHANG	DATE 2005/04/06	TITLE SD/IO CARD CONN.STAND OFF 2.0 MM(LEAD-FREE, PUSH-PUSH & REVERSE)		
	▽=0	3 PLACES ±---	±---	CHECKED BY HARVEY	DATE 2005/04/06	MOLEX INCORPORATED		
		2 PLACES ±0.25	±---	APPROVED BY VINCENT	DATE 2005/04/06	DOCUMENT NO. SD-67955-003		
		1 PLACE ±0.25	±---	MATERIAL NO. SEE SHEET 1		SHEET NO. 3 OF 3		
		ANGULAR ± 3 °		THIS DRAWING CONTAINS INFORMATION THAT IS PROPRIETARY TO MOLEX INCORPORATED AND SHOULD NOT BE USED WITHOUT WRITTEN PERMISSION				
DRAFT WHERE APPLICABLE MUST REMAIN WITHIN DIMENSIONS								

9 8 7 6 5 4 3 2 1