

Excellent Integrated System Limited

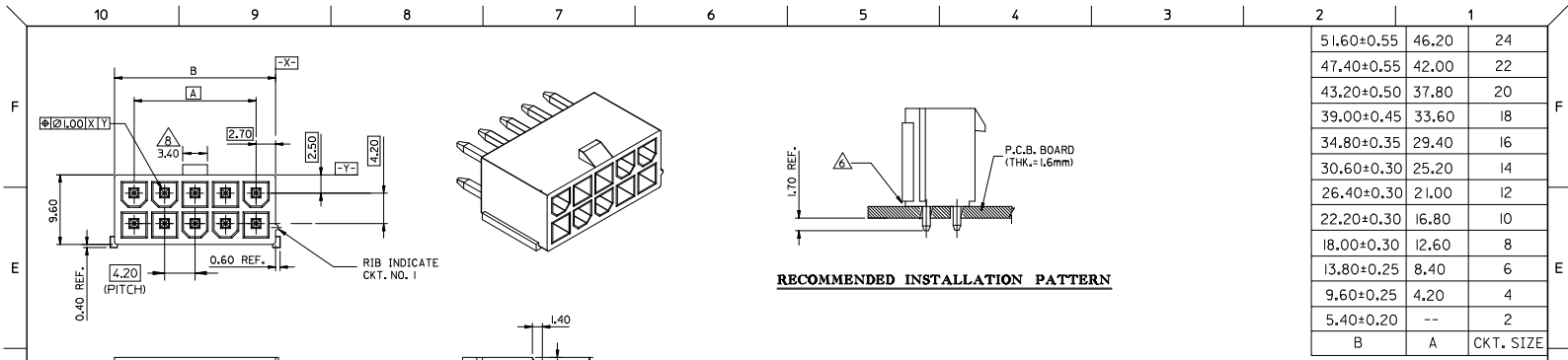
Stocking Distributor

Click to view price, real time Inventory, Delivery & Lifecycle Information:

[Molex Connector Corporation](#)
[0874270642](#)

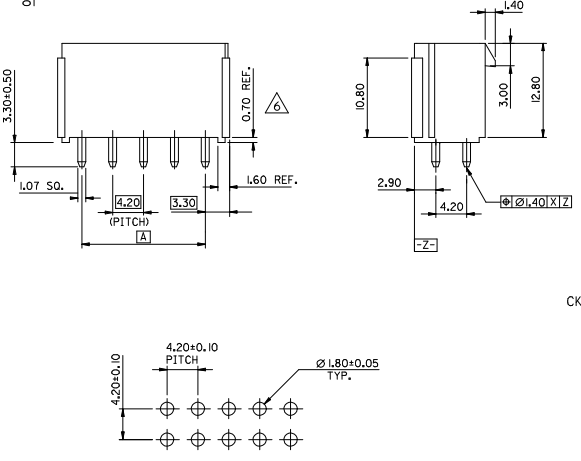
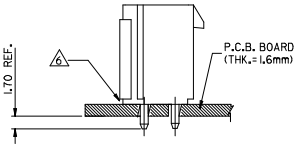
For any questions, you can email us directly:

sales@integrated-circuit.com



	51.60±0.55	46.20	24
	47.40±0.55	42.00	22
	43.20±0.50	37.80	20
	39.00±0.45	33.60	18
	34.80±0.35	29.40	16
	30.60±0.30	25.20	14
	26.40±0.30	21.00	12
	22.20±0.30	16.80	10
	18.00±0.30	12.60	8
	13.80±0.25	8.40	6
	9.60±0.25	4.20	4
	5.40±0.20	--	2
	B	A	CKT. SIZE

RECOMMENDED INSTALLATION PATTERN



RECOMMENDED P.C.B. LAYOUT

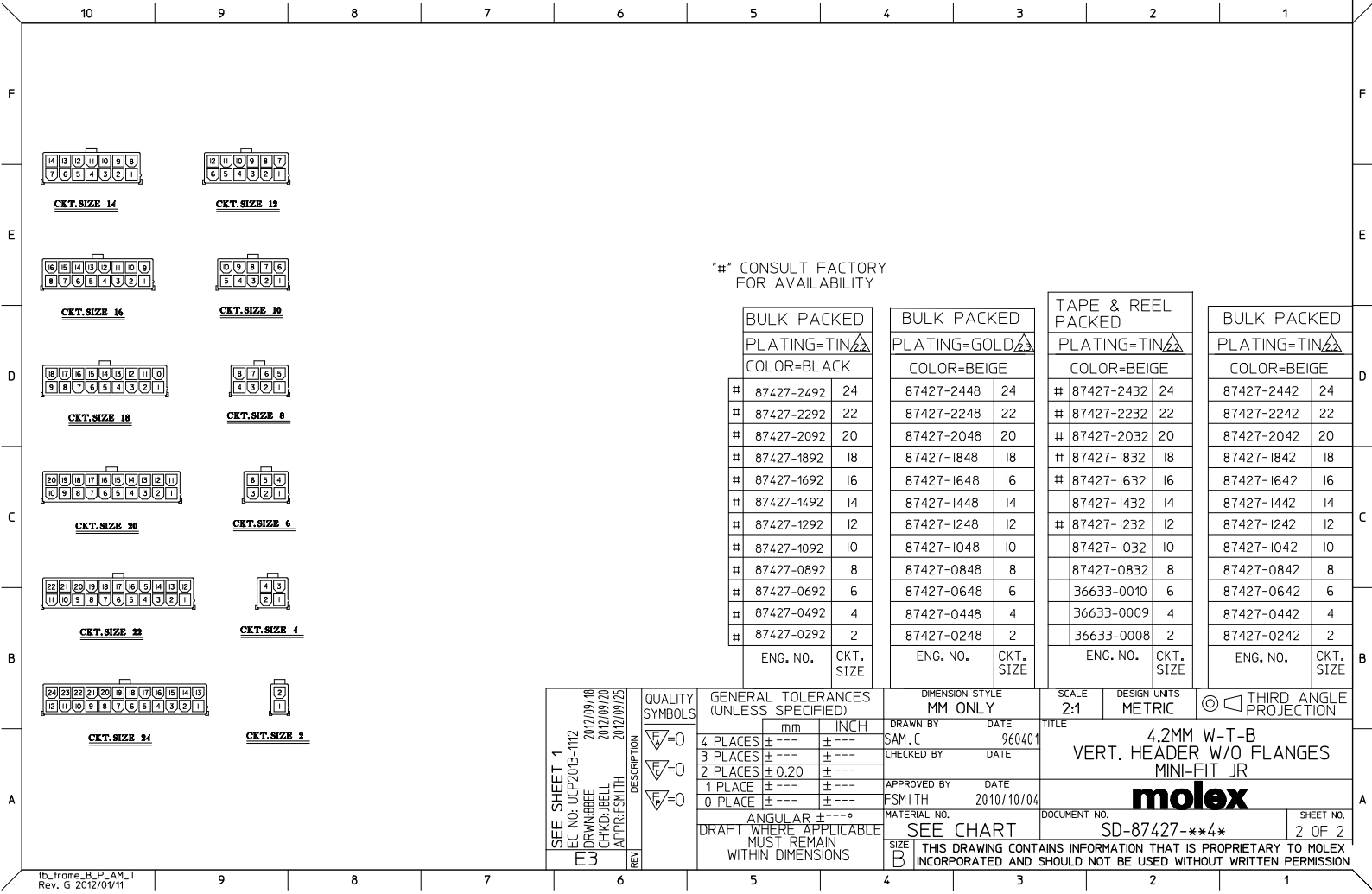
LEGEND

- 36633-**** SEE SHEET 2 FOR CKT. SIZE, PKG. PLATING, & HSG COLOR OPTIONS.
- 87427-**** CKT. SIZE
- PLATING OPTIONS
 - 2 = NOTE
 - 8 = NOTE
- COLOR & PACKAGING
 - 3 = BEIGE, TAPE & REEL PACKED
 - 4 = BEIGE, BULK PACKED
 - 9 = BLACK, BULK PACKED

NOTES

1. MATERIALS:
 - HEADER: NYLON 46, UL94V-0, COLOR SEE LEGEND.
 - PIN: BRASS
2. FINISH- PLATING OF PIN:
 - 2.2 .00254 MIN. MATTE TIN OVER .00127 MIN. NICKEL
 - 2.3 0.00076 MIN. SELECT GOLD AND 0.00254 MIN. SELECT MATTE TIN OVER 0.00127 MIN. NICKEL OVERALL
3. PRODUCT SPECIFICATION: PS-87427-0001.
 - PACKAGING SPECIFICATION: BULK PACK PER PK-87427-004. TAPE & REEL PACK PER PK-36633-008 OR PK-87427-009
5. MATES WITH: MINI-FIT JR. RECEPTACLE SERIES 5557.
6. HOUSING STANDOFF (0.70mm REF)
7. THESE PARTS CONFORM TO CLASS 'B' REQUIREMENTS OF COSMETIC SPECIFICATION PS-45499-002.
8. THIS DIMENSION IS 4.2 ON 2 CKT PARTS.
9. DISCOLORATION IN THE BANDOLIER CARRIER AREA OF THE PIN IS INHERENT TO THE PLATING PROCESS AND IS DUE TO THE MASKING EFFECT OF THE CARRIER. THIS DISCOLORATION IS IN A NON-FUNCTIONAL AREA OF THE PIN AND WILL NOT AFFECT THE PERFORMANCE OF THE HEADER ASSEMBLY.
10. PARTS ARE NOT DESIGNED FOR CURRENT SHARING.
11. CONNECTORS ARE NOT TO BE MATED AND UNMATED WHILE CIRCUITS ARE LIVE.

OBS P/N 'S E.C. NO.: LCP2013-1112 DRAWN BY: DRWINBEE CHK'D: BELL APPR'D: SMITH 2012/09/18 2012/09/20 2012/09/25	QUALITY SYMBOLS ∇=0 ∇=0 ∇=0	GENERAL TOLERANCES (UNLESS SPECIFIED)		DIMENSION STYLE MM ONLY		SCALE 4:1	DESIGN UNITS METRIC	THIRD ANGLE PROJECTION		
		4 PLACES ± --- ± ---	mm INCH	DRAWN BY SAM.C	DATE 960401	TITLE 4.2MM W-T-B VERT. HEADER W/O FLANGES MINI-FIT JR				
		3 PLACES ± --- ± ---	± 0.20 ± ---	CHECKED BY	DATE	APPROVED BY FSMITH				
		2 PLACES ± --- ± ---	± --- ± ---	APPROVED BY DATE 2010/10/04	MATERIAL NO. SEE CHART	DOCUMENT NO. SD-87427-***4*	SHEET NO. 1 OF 2			



*# CONSULT FACTORY FOR AVAILABILITY

SEE SHEET 1 EC NO: UCP2013-112 DRW:BBEE 2012/09/18 CHKD:J.BELL 2012/09/20 APPR:FSMITH 2012/09/25	QUALITY SYMBOLS $\nabla=0$ $\nabla=0$ $\nabla=0$	GENERAL TOLERANCES (UNLESS SPECIFIED)		DIMENSION STYLE MM ONLY		SCALE 2:1	DESIGN UNITS METRIC	THIRD ANGLE PROJECTION	
		4 PLACES ± --- ± ---	3 PLACES ± --- ± ---	DRAWN BY SAM.C	DATE 960401	TITLE 4.2MM W-T-B VERT. HEADER W/O FLANGES MINI-FIT JR			
		2 PLACES ± 0.20 ± ---	1 PLACE ± --- ± ---	CHECKED BY	DATE	APPROVED BY FSMITH			DATE 2010/10/04
		0 PLACE ± --- ± ---	ANGULAR ± --- ± ---	DRAFT WHERE APPLICABLE MUST REMAIN WITHIN DIMENSIONS		MATERIAL NO. SEE CHART	DOCUMENT NO. SD-87427-***4*		SHEET NO. 2 OF 2