

Excellent Integrated System Limited

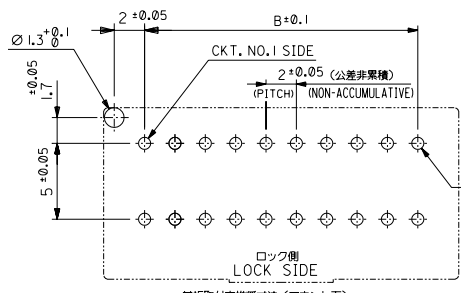
Stocking Distributor

Click to view price, real time Inventory, Delivery & Lifecycle Information:

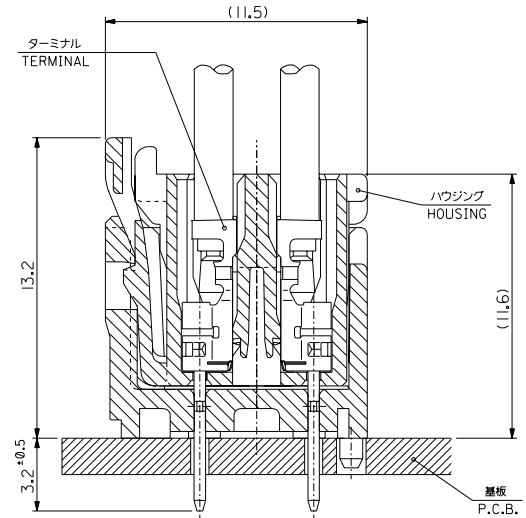
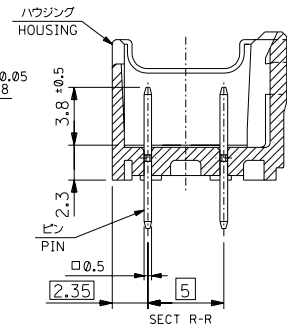
[Molex Connector Corporation](#)
[0559172810](#)

For any questions, you can email us directly:
sales@integrated-circuit.com

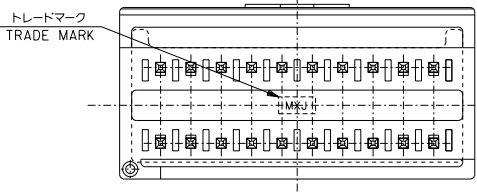
DWG. NO. SD-55917-003



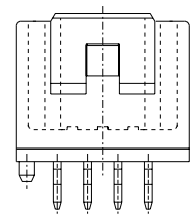
LOCK SIDE
 基板取付穴推奨寸法 (マウント面)
 RECOMMENDED P.C. BOARD
 HOLE DIMENSION
 (MOUNTING SIDE)
 (t = 1.6)



嵌合断面図 (参考)
 MATED DRAWING (REF.)



VIEW *T*



8 CIRCUIT

無鉛
 LEAD FREE

DO NOT SCALE DRAWING

REVISED	REVISION	DATE	BY	CHK'D	APP'R
D	REVISED	03/06/26	N.ITO	K.KASAKAWA	T.YAMAGUCHI
C	REVISED	03/06/26	N.ITO	K.KASAKAWA	T.YAMAGUCHI
B	REVISED	02/03/18	N.ITO	K.KASAKAWA	T.YAMAGUCHI
A	REVISED	02/02/28	N.ITO	K.KASAKAWA	T.YAMAGUCHI
0	RELEASED	01/12/17	N.ITO	K.KASAKAWA	T.YAMAGUCHI

MATERIAL	注記参照
FINISH	//
WIRE RANGE	//
INS. RANGE	//

GENERAL TOLERANCES:	55917-***1
(UNLESS SPECIFIED)	SCALE 4:1
10 UNDER	+0.2
10 OVER	+0.25
30 OVER	+0.3
ANGLE	+3°

DESIGN UNITS	mm
DRAWN BY & DATE	N.ITO 01/12/17
CHECKED BY & DATE	K.KASAKAWA 03/06/26
APPROVED BY & DATE	T.YAMAGUCHI 03/06/26
CAD FILENAME	55917003.S02

MODEL NO.	55917-***1
DIMENSIONS:	mm INCH
TITLE:	2.0mm W-t-B DUAL CONN DIP PLUG HOUSING ASS'Y ST (WITH BOSS)
MATERIAL NO.	SEE CHART
DRAWING NO.	SD-55917-003
SHEET NO.	2 OF 2

MOLEX INCORPORATED
 THIS DRAWING CONTAINS INFORMATION THAT IS PROPRIETARY TO MOLEX INCORPORATED AND SHOULD NOT BE USED WITHOUT WRITTEN PERMISSION.