



Distributor of Molex Connector Corporation: Excellent Integrated System Limited
Datasheet of 0673298020 - Connector Receptacle USB TypeA 4 Position Through Hole, Right
Angle, Vertical

Contact us: sales@integrated-circuit.com Website: www.integrated-circuit.com

Excellent Integrated System Limited

Stocking Distributor

Click to view price, real time Inventory, Delivery & Lifecycle Information:

[Molex Connector Corporation](#)
[0673298020](#)

For any questions, you can email us directly:
sales@integrated-circuit.com

Contact us: sales@integrated-circuit.com Website: www.integrated-circuit.com

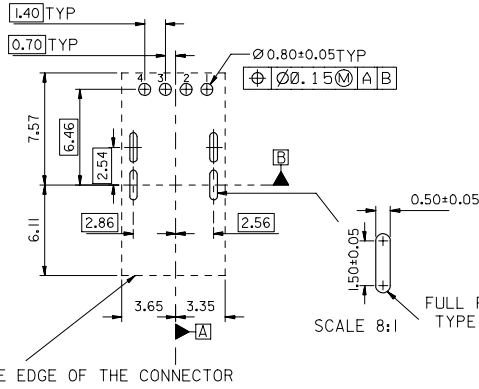
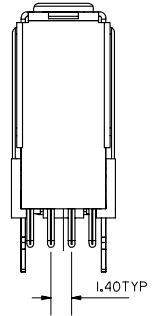
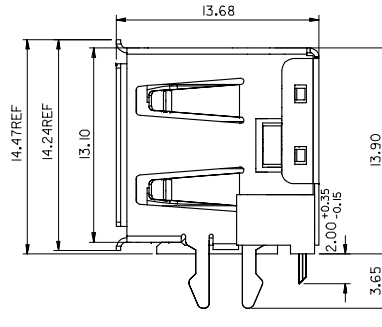
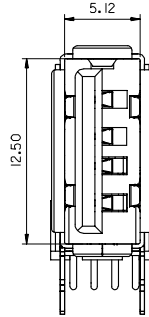
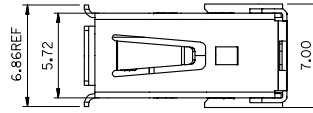
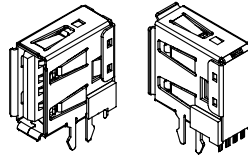
NOTES :

1. MATERIAL :

HOUSING : HIGH TEMPERATURE NYLON ,GLASS FIBER, UL94-V0 , COLOR: BLACK
TERMINAL : PHOSPHOR BRONZE(PbBr), C5100 EH, PER ES-124-E108
METAL SHELL : COPPER ALLOY

2. PLATING :

TERMINAL :
CONTACT AREA : (a) GOLD FLASH.
(b) GLDD (Au), THICKNESS = 30 MICROINCH/0.76 MICROMETER
SOLDER TAIL : TIN.
THICKNESS=50-100 MICRONCH/127-254 MICROMETER
UNDER PLATE : NICKEL (Ni), THICKNESS= 50 MICROINCH/1.27 MICROMETER
METAL SHELL : TIN.
THICKNESS=50-100 MICRONCH/127-254 MICROMETER
UNDER PLATE : NICKEL (Ni), THICKNESS= 50 MICROINCH/1.27 MICROMETER
SURFACE APPEARANCE :BRIGHT
3 RECOMMENDED PCB THICKNESS : 1.60±0.05 mm.
4 PRODUCT SPECIFICATION : REFER TO PS-89485
5 PACKAGING SPECIFICATION : REFER TO PK-67329-001



SCALE 8:1

PART NUMBER LEGEND:

P/N	CONTACT PLATING
67329-8020	GOLD FLASH
67329-8021	0.76 MICROMETER/30 MICROINCH GOLD

NEW RELEASE EC NO: A	DESCRIPTION DRAWN:POLAN CHKD:HARVEY APPR:HANG	QUALITY SYMBOLS	GENERAL TOLERANCES (UNLESS SPECIFIED)	DIMENSION STYLE	SCALE	DESIGN UNITS	THIRD ANGLE PROJECTION	
		▽=0	4 PLACES ± --- ± ---	MM ONLY	4:1	METRIC	☉	
		▽=0	3 PLACES ± --- ± ---					
			2 PLACES ± 0.25 ± ---					
		1 PLACE ± 0.25 ± ---	ANGULAR ± 3 °					
			DRAFT WHERE APPLICABLE MUST REMAIN WITHIN DIMENSIONS	MATERIAL NO.	DOCUMENT NO.		SHEET NO.	
				SEE CHART	SD-67329-802		1 OF 1	
				THIS DRAWING CONTAINS INFORMATION THAT IS PROPRIETARY TO MOLEX INCORPORATED AND SHOULD NOT BE USED WITHOUT WRITTEN PERMISSION				