

Excellent Integrated System Limited

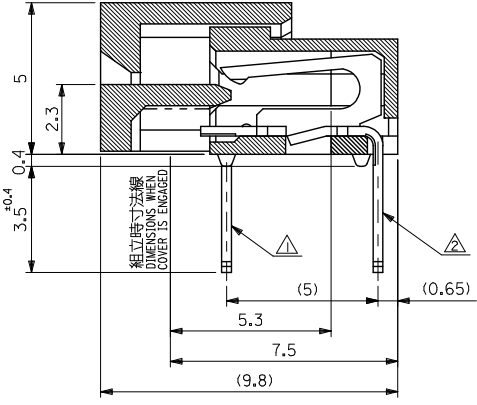
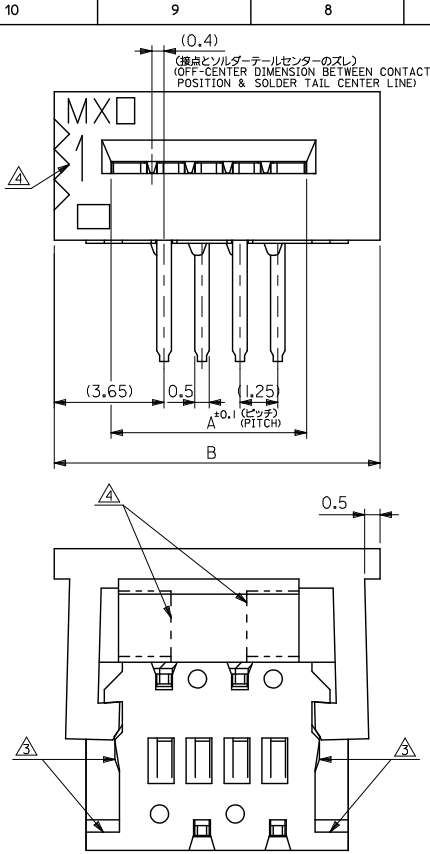
Stocking Distributor

Click to view price, real time Inventory, Delivery & Lifecycle Information:

[Molex Connector Corporation](#)
[0039532124](#)

For any questions, you can email us directly:

sales@integrated-circuit.com



注記 NOTES

- △ MX J側を基準に奇数番目の極におけるソルダーテール。SOLDER TAIL OF ODD CKTS, MXJ MARK AS BASIC.
- △ MX J側を基準に偶数番目の極におけるソルダーテール。SOLDER TAIL OF EVEN CKTS, MXJ MARK AS BASIC.
- ③ 3極~10極に適用。APPLY FOR 3-10 CKTS.
- ④ 3極~19極に適用。APPLY FOR 3-19 CKTS.
- 5. () 内寸法は、参考値。
() DIMENSION IS FOR REFERENCE.
- 6. ソルダーテールは、先端が取付推奨穴にガイドされること。SOLDER TAILS MAY BE CHECKED BY INSERTION FOR RECOMMENDED PCB BOARD HOLES.
- 7. 本製品は5597-NAPBの鉛フリー品である。THIS PRODUCT IS LEAD FREE OF 5597-NAPB.

48.25	43.95	39-53-2344	5597-34APB7F	34
45.75	41.45	-2324	-32APB7F	32
44.50	40.20	-2314	-31APB7F	31
43.25	38.95	-2304	-30APB7F	30
42.00	37.70	-2294	-29APB7F	29
40.75	36.45	-2284	-28APB7F	28
39.50	35.20	-2274	-27APB7F	27
38.25	33.95	-2264	-26APB7F	26
37.00	32.70	-2254	-25APB7F	25
35.75	31.45	-2244	-24APB7F	24
34.50	30.20	-2234	-23APB7F	23
33.25	28.95	-2224	-22APB7F	22
32.00	27.70	-2214	-21APB7F	21
30.75	26.45	-2204	-20APB7F	20
29.50	25.20	-2194	-19APB7F	19
28.25	23.95	-2184	-18APB7F	18
27.00	22.70	-2174	-17APB7F	17
25.75	21.45	-2164	-16APB7F	16
24.50	20.20	-2154	-15APB7F	15
23.25	18.95	-2144	-14APB7F	14
22.00	17.70	-2134	-13APB7F	13
20.75	16.45	-2124	-12APB7F	12
19.50	15.20	-2114	-11APB7F	11
18.25	13.95	-2104	-10APB7F	10
17.00	12.70	-2094	-09APB7F	9
15.75	11.45	-2084	-08APB7F	8
14.50	10.20	-2074	-07APB7F	7
13.25	8.95	-2064	-06APB7F	6
12.00	7.70	-2054	-05APB7F	5
10.75	6.45	-2044	-04APB7F	4
9.50	5.20	39-53-2034	5597-03APB7F	3
B	A	EDP NO.	ENG NO.	極数 CKT.

材料 MATERIAL
HOUSING, ACTUATOR : PBTP-UL94V-0
TERMINAL : PHOSPHOR-BRONZE
THK : 0.31
仕上り FINISH : TIN-BISMUTH ;
10 MICROMETER MINIMUM
OVER NICKEL PLATING ;
10 MICROMETER MINIMUM
適用電線範囲 WIRE RANGE : #
被覆外径 INS. RANGE : #

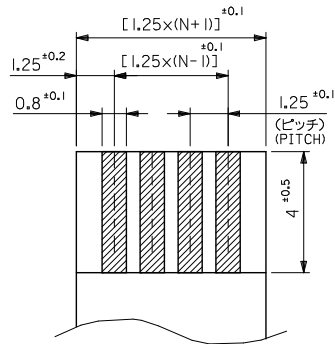
REVISED
EC NO. J2016-0714
DRAWN: MI ZUNO02 2016/01/12
CHKD: K TAKAHASHI 2016/01/12
APPR: T KUSUHARA01 2016/01/20

GENERAL TOLERANCES (UNLESS SPECIFIED)	
0.25 UNDER	UNDER ±0.03
0.25 OVER	0.5 UNDER ±0.05
0.5 OVER	1.0 UNDER ±0.1
1.0 OVER	10 UNDER ±0.2
10 OVER	30 UNDER ±0.25
30 OVER	±0.3
ANGULAR	±3 °

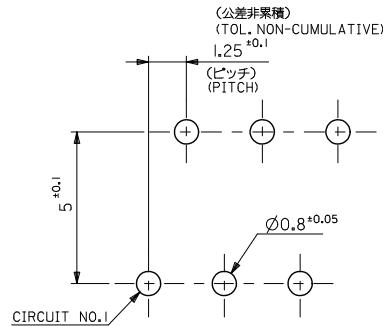
DIMENSION STYLE	
MM ONLY	
DRAWN BY	DATE
M. NAGATA	'04/05/10
CHECKED BY	DATE
K. TOJO	'04/05/10
APPROVED BY	DATE
M. SASAO	'04/05/10
MATERIAL NO.	

MODEL NO. 5597-NAPB7F
DESIGN UNITS METRIC
THIRD ANGLE PROJECTION
1.25 FPC CONNECTOR
ASSY ZIF
-LEAD FREE-
molex
DOCUMENT NO. SD-5597-011
SHEET NO. 1 OF 2

10 9 8 7 6 5 4 3 2 1



適合 FPC/FFC 推奨寸法
RECOMMENDED FPC/FFC
厚さ THK : 0.3 ± 0.05



基板取付穴推奨寸法 (t=1.6)
RECOMMENDED P.C. BOARD
HOLE DIMENSION

FPC/FFCについて:

打抜き方向は導体側から補強板側を推奨いたします。
導体膜については軟銅箔35マイクロメートルまたは50マイクロメートルを推奨いたします。
ABOUT FPC/FFC
RECOMMENDED PUNCHER DIRECTION : FROM CONDUCTOR SIDE TO STIFFENER FILM SIDE.
RECOMMENDED CONDUCTOR SPEC :
THICKNESS OF SOFT COPPER FOIL : 35 MICROMETER OR 50 MICROMETER.

FPCについて:

補強フィルム材質はポリアミドを推奨します。
接着剤は熱硬化接着剤を推奨します。
ABOUT FPC
RECOMMENDED MATERIAL :
STIFFENER FILM : POLYIMIDE
BONDING AGENT : THERMOSETTING BONDING AGENT

MODEL NO. 5597-NAPB7F

GENERAL TOLERANCES (UNLESS SPECIFIED)				DIMENSION STYLE		SCALE	DESIGN UNITS	THIRD ANGLE PROJECTION		
				MM ONLY		---	METRIC			
0.25	UNDER	UNDER	± 0.03	DRAWN BY	DATE	TITLE				
0.25	OVER	0.5	UNDER	M. NAGATA	'04/05/10	1.25 FPC CONNECTOR				
0.5	OVER	1.0	UNDER	CHECKED BY	DATE	ASSY ZIF				
1.0	OVER	10	UNDER	K. TOJO	'04/05/10	-LEAD FREE-				
10	OVER	30	UNDER	APPROVED BY	DATE					
30	OVER		± 0.3	M. SASAO	'04/05/10					
ANGULAR ±3 °				MATERIAL NO.		DOCUMENT NO.	SD-5597-011		SHEET NO.	
DRAFT WHERE APPLICABLE MUST REMAIN WITHIN DIMENSIONS				SIZE	THIS DRAWING CONTAINS INFORMATION THAT IS PROPRIETARY TO MOLEX ELECTRONIC TECHNOLOGIES, LLC AND SHOULD NOT BE USED WITHOUT WRITTEN PERMISSION					2 OF 2

9 8 7 6 5 4 3 2 1