

## Excellent Integrated System Limited

Stocking Distributor

Click to view price, real time Inventory, Delivery & Lifecycle Information:

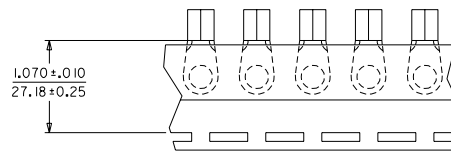
[Molex Connector Corporation](#)  
[0191930201](#)

For any questions, you can email us directly:

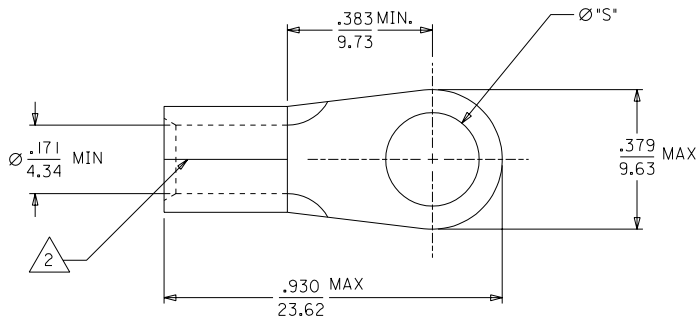
[sales@integrated-circuit.com](mailto:sales@integrated-circuit.com)



MATERIAL NUMBER	ENGINEERING NUMBER	STUD SIZE	"S"	PACKAGING
			±.0037(0.08)	
191930198	D-356-06	6	.146/(3.71)	LOOSE PIECE
191930200	D-356-08	8	.173/(4.39)	
191930202	D-356-10	10	.198/(5.03)	
191930204	D-356-14	14	.265/(6.73)	
191930199	D-356-06T	6	.146/(3.71)	TAPE
191930201	D-356-08T	8	.173/(4.39)	
191930203	D-356-10T	10	.198/(5.03)	
191930205	D-356-14T	14	.265/(6.73)	



TAPE MOUNTING LOCATION



SALES DRAWING

NOTES:

- 1. MATERIAL: COPPER  
PLATING: ELECTRO-TIN.
- 2. BRAZED SEAM.

I WAS SD-19069-012 EC NO. ETC2003-0333 DRAWN BY: BRE 030623 CHK: HEB 030623 APPR: RWD 030623	QUALITY SYMBOLS MAJOR = 0 CRITICAL = 0 MINOR = 0	GENERAL TOLERANCES: (UNLESS SPECIFIED) mm    INCH		SCALE 4:1 DESIGN UNITS <input type="checkbox"/> mm <input checked="" type="checkbox"/> INCH	THIRD ANGLE PROJECTION <input checked="" type="checkbox"/>	DIMENSIONS: <input type="checkbox"/> mm <input checked="" type="checkbox"/> INCH <input type="checkbox"/> mm ONLY	SHT 2 REV 1
		DRAWN BY & DATE: BRE 03/06/18 CHECKED BY & DATE: HEB 03/06/18 APPROVED BY & DATE: RWD 03/06/18	TITLE: RING TONGUE TERMINAL VERSAKRIMP 8 AWG		MOLEX INCORPORATED SEE CHART		MATERIAL NO. SD-19193-012 DRAWING NO. SD-19193-012 SHEET NO. 1 OF 1 SIZE B
DRAFT WHERE APPLICABLE MUST REMAIN WITHIN DIMENSIONS		THIS DRAWING CONTAINS INFORMATION THAT IS PROPRIETARY TO MOLEX INCORPORATED AND SHOULD NOT BE USED WITHOUT WRITTEN PERMISSION.					