



Distributor of Molex Connector Corporation: Excellent Integrated System Limited
Datasheet of 0190030049 - Connector Quick Connect Receptacle 14-16 AWG 0.250"
(6.35mm) Crimp

Contact us: sales@integrated-circuit.com Website: www.integrated-circuit.com

Excellent Integrated System Limited

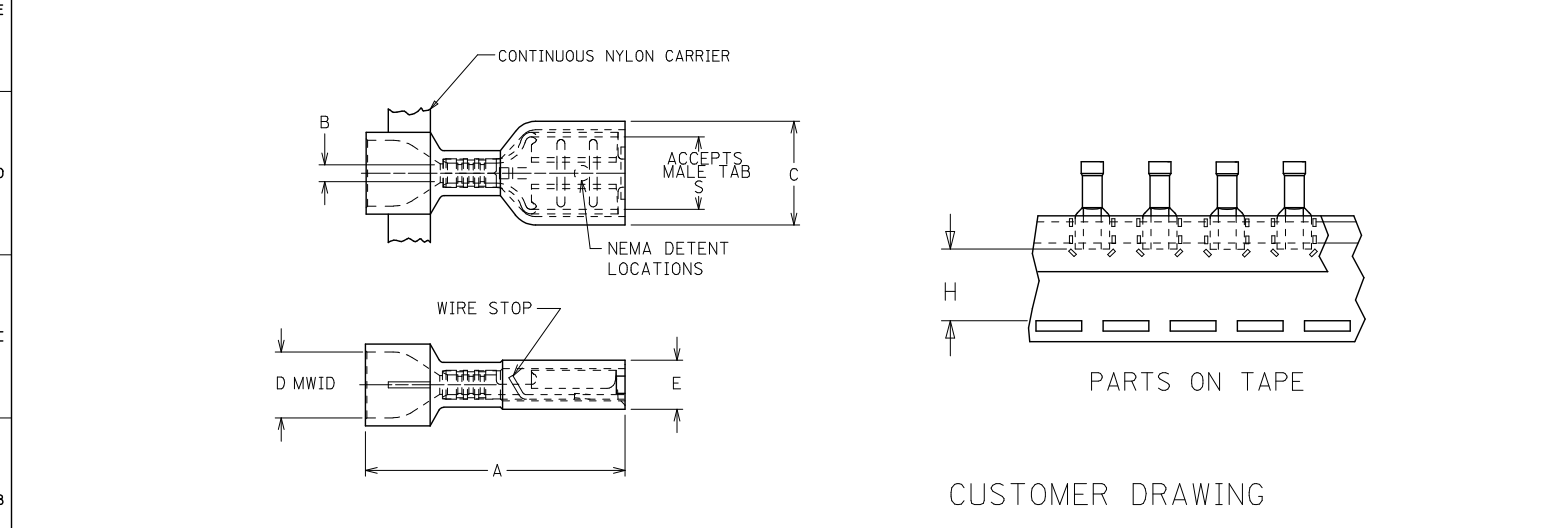
Stocking Distributor

Click to view price, real time Inventory, Delivery & Lifecycle Information:

[Molex Connector Corporation](#)
[0190030049](#)

For any questions, you can email us directly:
sales@integrated-circuit.com

10	9	8	7	6	5	4	3	2	19003				
MATERIAL * LOOSE PCS	MATERIAL * CONTINUOUS	MATERIAL * TAPE MNT	ENGINEERING PART NO.	INS. COLOR	WIRE RANGE AWG	FITS MALE TAB SIZE	STOCK THICK REF	*A* MAX	*B* MIN.	*C* MAX.	*D* MWID	*E* MAX.	*H* ±0.0/0.5
190030008	190030009	190030010	AA-2201X	SALMON	22-18	.250x.032 (6.35x0.81)	.016 (0.4)	.94 /23.9	.056/1.42	.380 /9.66	.230 /5.84	.180 /4.58	.56/14.2
NOTE 5	NOTE 5	NOTE 5	AA-2213X	SALMON	22-18	.205x.020 (5.21x0.51)	.016 (0.4)	.86 /21.8	.056/1.42	.316 /8.03	.230 /5.84	.160 /4.07	.60/15.3
NOTE 5	NOTE 5	NOTE 5	AA-2214X	PINK	22-18	.205x.032 (5.21x0.81)	.016 (0.4)	.86 /21.8	.056/1.42	.316 /8.03	.230 /5.84	.160 /4.07	.60/15.3
190030014	190030015	190030016	AA-2202X	SALMON	22-18	.187x.020 (4.75x0.51)	.016 (0.4)	.86 /21.8	.056/1.42	.316 /8.03	.230 /5.84	.160 /4.07	.60/15.3
190030021	190030022	190030023	AA-2203X	PINK	22-18	.187x.032 (4.75x0.81)	.016 (0.4)	.86 /21.8	.056/1.42	.316 /8.03	.230 /5.84	.160 /4.07	.60/15.3
190030027	190030028	190030029	AA-2204X	SALMON	22-18	.110x.020 (2.79x0.51)	.012 (0.3)	.86 /21.8	.056/1.42	.230 /5.85	.230 /5.84	.150 /3.81	.61/15.5
190030033	190030034	190030035	AA-2205X	PINK	22-18	.110x.032 (2.79x0.81)	.012 (0.3)	.86 /21.8	.056/1.42	.230 /5.85	.230 /5.84	.150 /3.81	.61/15.5
190030047	190030048	190030049	BB-2206X	BLUE	16-14	.250x.032 (6.35x0.81)	.016 (0.4)	.94 /23.9	.079/2.00	.380 /9.66	.260 /6.60	.180 /4.58	.56/14.2
NOTE 5	NOTE 5	NOTE 5	BB-2215X	BLUE	16-14	.205x.020 (5.21x0.51)	.016 (0.4)	.86 /21.8	.079/2.00	.316 /8.03	.260 /6.60	.170 /4.32	.60/15.3
NOTE 5	NOTE 5	NOTE 5	BB-2216X	AQUA	16-14	.205x.032 (5.21x0.81)	.016 (0.4)	.86 /21.8	.079/2.00	.316 /8.03	.260 /6.60	.170 /4.32	.60/15.3
190030053	190030054	190030055	BB-2207X	BLUE	16-14	.187x.020 (4.75x0.51)	.016 (0.4)	.86 /21.8	.079/2.00	.316 /8.03	.260 /6.60	.170 /4.32	.60/15.3
190030059	190030060	190030061	BB-2208X	AQUA	16-14	.187x.032 (4.75x0.81)	.016 (0.4)	.86 /21.8	.079/2.00	.316 /8.03	.260 /6.60	.170 /4.32	.60/15.3
190050010	190050014	190050015	C-2265	YELLOW	12-10	.250x.032 (6.35x0.81)	.018 (0.5)	1.04 /26.4	.144 /3.65	.380 /9.66	.275 /6.98	.290 /7.37	.51/12.9



CUSTOMER DRAWING

1. MATERIAL: BRASS
2. FINISH: ELECTRO-TIN PLATING
3. INSULATION: NYLON
4. MWID= MAXIMUM WIRE INSULATION DIAMETER
5. CONSULT FACTORY FOR AVAILABILITY
6. PART IS ROHS COMPLIANT.

CORRECTED MAT'L NO EC NO: 1902016-0481 DRAWING NO: 2015/09/30 CHKD: JAC/NE/L APPR: JAC/NE/L 2015/09/30 2015/10/05	QUALITY SYMBOLS ▽=0 ▽=0	GENERAL TOLERANCES (UNLESS SPECIFIED)		DIMENSION STYLE		SCALE	DESIGN UNITS	THIRD ANGLE PROJECTION
				IN/MM		---	INCH	
		4 PLACES ±	---	---	---	DRAWN BY	DATE	TITLE
		3 PLACES ±	---	---	---	RCM	1994/06/17	FULLY INSULATED QUICK DISCONNECTS EXPANDED FLARE
2 PLACES ±	---	---	---	CHECKED BY	DATE			
1 PLACE ±	---	---	---	JM	1994/06/17			
ANGULAR ±		---	---	APPROVED BY	DATE			
		---	---	FP	1994/06/17			
DRAFT WHERE APPLICABLE MUST REMAIN WITHIN DIMENSIONS		SEE CHART		MATERIAL NO.	DOCUMENT NO.	SHEET NO.		
				B	SD-19003-006	1 OF 1		
THIS DRAWING CONTAINS INFORMATION THAT IS PROPRIETARY TO MOLEX INCORPORATED AND SHOULD NOT BE USED WITHOUT WRITTEN PERMISSION								