

Excellent Integrated System Limited

Stocking Distributor

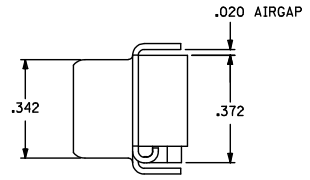
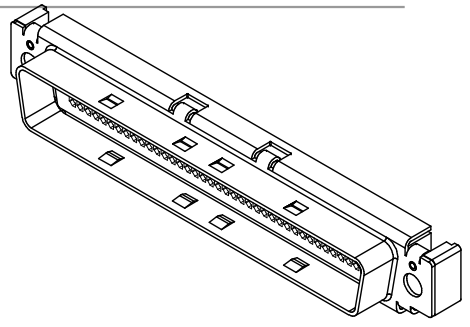
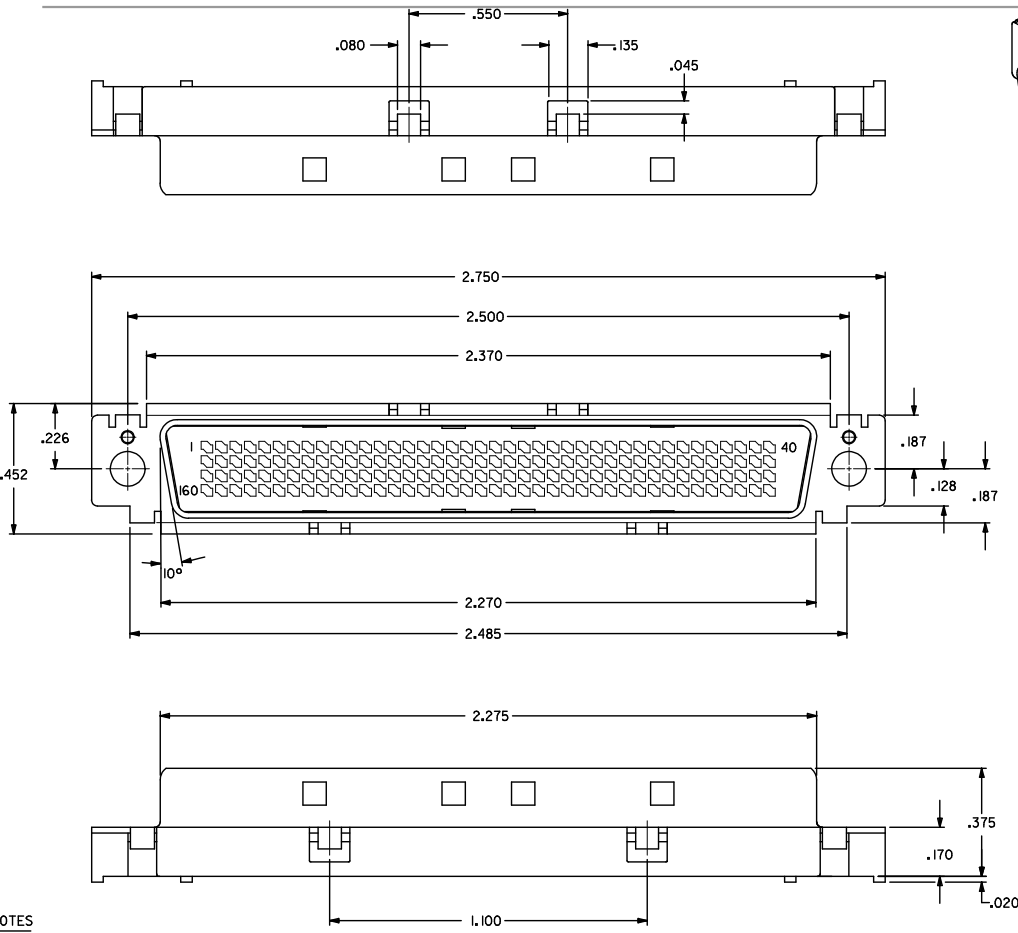
Click to view price, real time Inventory, Delivery & Lifecycle Information:

[Molex Connector Corporation](#)
[0716243000](#)

For any questions, you can email us directly:

sales@integrated-circuit.com

13 12 11 10 9 8 7 6 5 4 3 2 1



NOTES

1. MATERIALS:
INSULATOR: GLASS FILLED LCP, 94V-0, COLOR BLACK.
SHIELD: DEEP DRAW STEEL, .020" THICK.
2. PLATING: 100 MICRO-INCHES MINIMUM BRIGHT NICKEL OVER COPPER UNDERPLATE OVERALL.
3. CONFORMS TO PRODUCT SPECIFICATION PS-71626.
4. CONFORMS TO APPLICATION SPECIFICATION PS-71624.
5. INSERT MOLDED CONTACT STRIPS ARE SUPPLIED SEPARATELY, SEE SALES DRAWING* SDA-70984-4*** FOR ORDER NUMBERS.
6. BULK PACKAGING: 100 SUB-ASSEMBLIES PER CARTON

71624-3001	WITH M-3 THREADED INSERT
71624-3000	WITHOUT M-3 THREADED INSERT
ITEM NUMBER	DESCRIPTION

REVISE NOTE 2 EC NO: UCP2016-0871 DRWNSWANG01 2015/08/26 CHKOBORGAN 2015/08/26 APPRSMILLER 2015/09/10	QUALITY SYMBOLS 	GENERAL TOLERANCES (UNLESS SPECIFIED)		DIMENSION STYLE		SCALE	DESIGN UNITS	THIRD ANGLE PROJECTION 160 CKT LFH I/O PLUG HSG/SHLD SUB. ASSY. FOR CABLE APPLICATION
		mm	INCH	IN/MM		4:1	INCH	
		4 PLACES ±---	±---	DRAWN BY	DATE	TITLE		
		3 PLACES ±---	±---	SVANG01	2015/08/26	160 CKT LFH I/O PLUG HSG/SHLD SUB. ASSY. FOR CABLE APPLICATION		
		2 PLACES ±---	±---	CHECKED BY	DATE			
		1 PLACE ±---	±---	DMORGAN	2015/08/26			
		0 PLACE ±---	±---	APPROVED BY	DATE			
				SMILLER	2015/09/10			
		ANGULAR ±1/2°		MATERIAL NO.	DOCUMENT NO.			SHEET NO.
		DRAFT WHERE APPLICABLE MUST REMAIN WITHIN DIMENSIONS		SEE TABLE	SDA-71624-3000			1 OF 1
		THIS DRAWING CONTAINS INFORMATION THAT IS PROPRIETARY TO MOLEX INCORPORATED AND SHOULD NOT BE USED WITHOUT WRITTEN PERMISSION						

12 11 10 9 8 7 6 5 4 3 2 1