

Excellent Integrated System Limited

Stocking Distributor

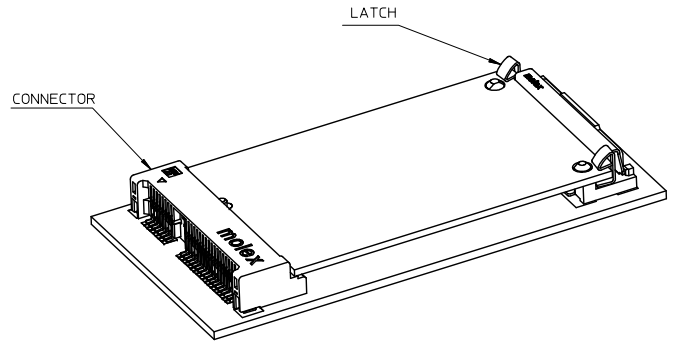
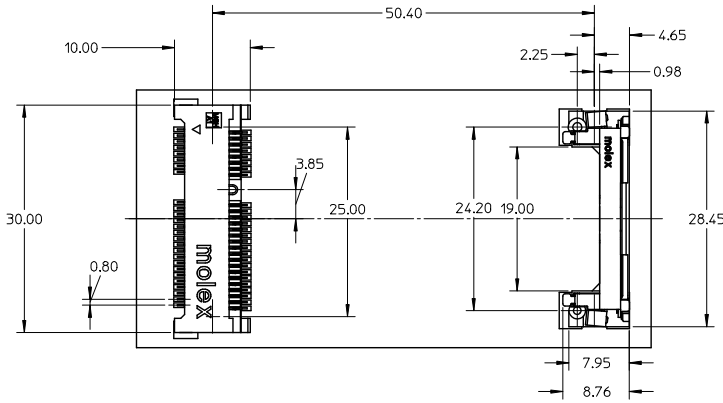
Click to view price, real time Inventory, Delivery & Lifecycle Information:

[Molex Connector Corporation](#)
[0480994000](#)

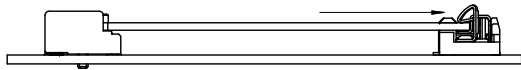
For any questions, you can email us directly:

sales@integrated-circuit.com

10 9 8 7 6 5 4 3 2 1



PUSH LATCH TO RELEASE MODULE



QUALITY SYMBOLS
= 0
= 0

REV	DESCRIPTION	DATE
1	DRWN:SKNG CHKD:BOBK APPR:SHLENI	2014/08/26 2014/08/26 2014/08/26

QUALITY SYMBOLS	DESCRIPTION
	0
	0

GENERAL TOLERANCES (UNLESS SPECIFIED)	
	mm INCH
4 PLACES	± --- ± ---
3 PLACES	± --- ± ---
2 PLACES	± 0.25 ± ---
1 PLACE	± 0.25 ± ---
ANGULAR ± 3 °	

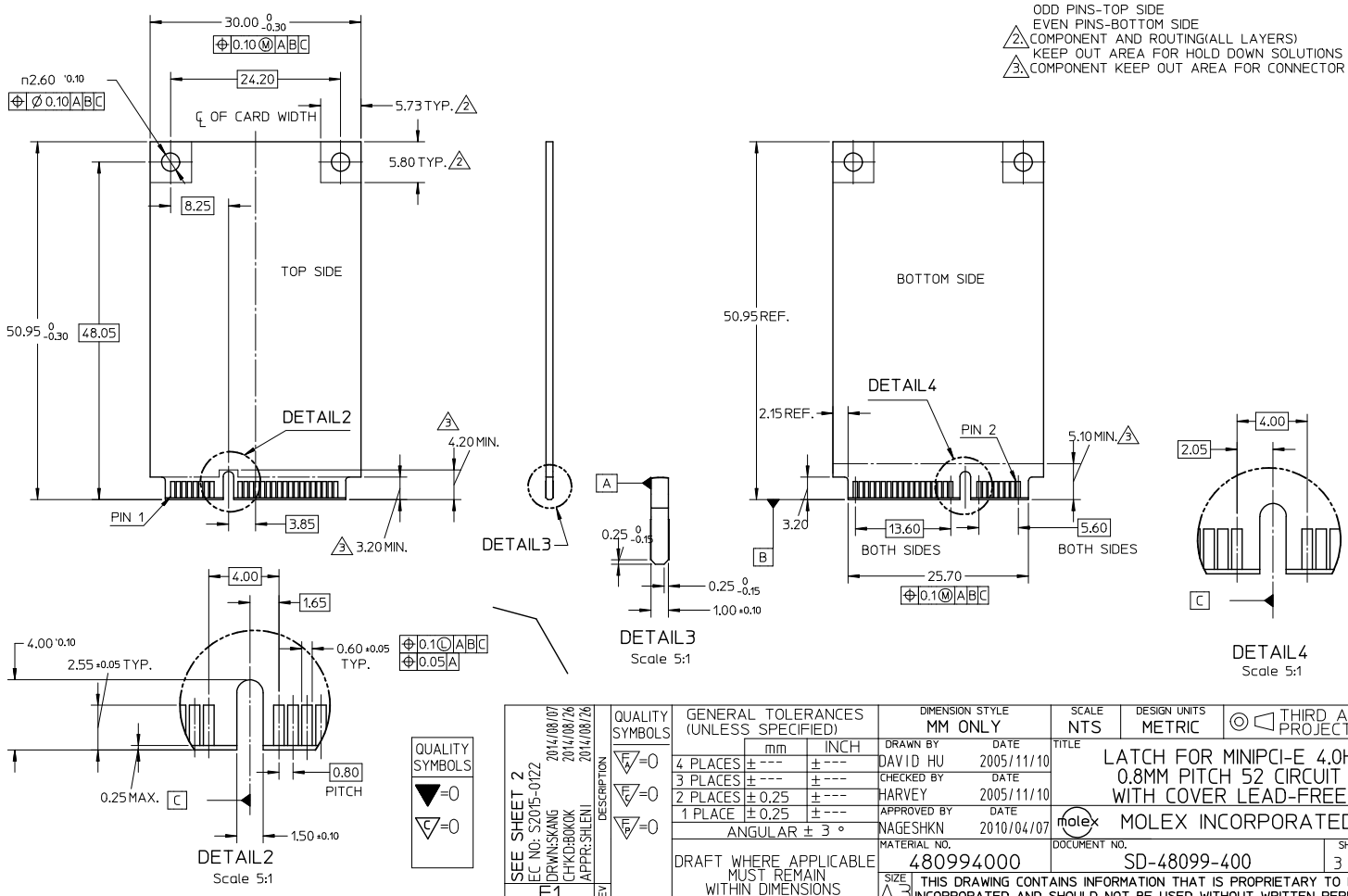
DIMENSION STYLE	
MM ONLY	
DRAWN BY	DATE
DAVID HU	2005/11/10
CHECKED BY	DATE
HARVEY	2005/11/10
APPROVED BY	DATE
NAGESHKN	2010/04/07
MATERIAL NO.	480994000

SCALE	DESIGN UNITS	THIRD ANGLE PROJECTION
NTS	METRIC	
TITLE		
LATCH FOR MINIPCI-E 4.0H 0.8MM PITCH 52 CIRCUIT WITH COVER LEAD-FREE		
MOLEX INCORPORATED		
DOCUMENT NO.	SD-48099-400	SHEET NO. 1 OF 3

9 8 7 6 5 4 3 2 1

10 9 8 7 6 5 4 3 2 1

NOTES:
1. PIN NUMBERING REFERENCE:
ODD PINS-TOP SIDE
EVEN PINS-BOTTOM SIDE
COMPONENT AND ROUTING(ALL LAYERS)
KEEP OUT AREA FOR HOLD DOWN SOLUTIONS
COMPONENT KEEP OUT AREA FOR CONNECTOR



QUALITY SYMBOLS	GENERAL TOLERANCES (UNLESS SPECIFIED)		DIMENSION STYLE MM ONLY	SCALE NTS	DESIGN UNITS METRIC	THIRD ANGLE PROJECTION
	mm	INCH				
$\nabla=0$	4 PLACES	±---	±---	DRAWN BY DAVID HU	DATE 2005/11/10	LATCH FOR MINIPCI-E 4.0H 0.8MM PITCH 52 CIRCUIT WITH COVER LEAD-FREE MOLEX INCORPORATED
$\nabla=0$	3 PLACES	±---	±---	CHECKED BY HARVEY	DATE 2005/11/10	
$\nabla=0$	2 PLACES	±0.25	±---	APPROVED BY NAGESHKN	DATE 2010/04/07	
$\nabla=0$	1 PLACE	±0.25	±---	MATERIAL NO. 480994000	DOCUMENT NO. SD-48099-400	
DRAFT WHERE APPLICABLE MUST REMAIN WITHIN DIMENSIONS			THIS DRAWING CONTAINS INFORMATION THAT IS PROPRIETARY TO MOLEX INCORPORATED AND SHOULD NOT BE USED WITHOUT WRITTEN PERMISSION		SHEET NO. 3 OF 3	

9 8 7 6 5 4 3 2 1