

Excellent Integrated System Limited

Stocking Distributor

Click to view price, real time Inventory, Delivery & Lifecycle Information:

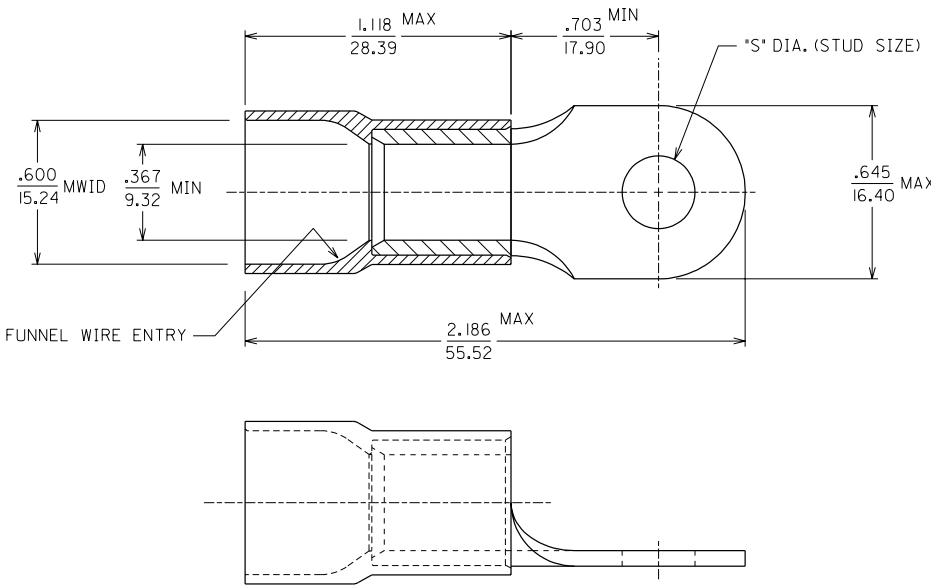
[Molex Connector Corporation](#)
[0190670096](#)

For any questions, you can email us directly:

sales@integrated-circuit.com



| MATERIAL NUMBER | ALTERNATE NUMBER | STUD SIZES | "S" |
|-----------------|------------------|------------|------|
| 190670095 | G-975-10 | 10 | .198 |
| 190670096 | G-975-14 | 1/4 | .265 |
| 190670097 | G-975-38 | 3/8 | .390 |
| 190670098 | G-975-56 | 5/16 | .328 |



- NOTES:
1. MATERIAL: COPPER .075 THICK
PLATING: ELECTROPLATE TIN
 2. INSULATION: RED NYLON 6/6
 3. MWID=MAXIMUM WIRE INSULATION DIA.
 4. ALL DIMENSIONS IN INCHES/(MM).

CUSTOMER DRAWING

| | |
|------|--|
| A | NEW CUST DGN ETC2001-0251 01/02/27 EDB |
| LTR. | REVISIONS |

| DIMENSIONS SHOWN (METRIC/INCH) | | REVISE ONLY ON CAD SYSTEM | | | | | | | | | | | | | | | | |
|---|---------------------|---|-----------|--------|---------|--------|-------|---------|-------|--------|---------|-------|--------|--|--|--|---------------------|------------------|
| UNLESS OTHERWISE SPECIFIED TOLERANCES: ANGULAR ± 1/2° | | TITLE NYLAKRIMP FUNNEL ENTRY RING TONGUE TERMINAL #2 AWG | | | | | | | | | | | | | | | | |
| <table border="1"> <thead> <tr> <th></th> <th>INCH</th> <th>METRIC</th> </tr> </thead> <tbody> <tr> <td>3 PLACE</td> <td>± .005</td> <td>± ---</td> </tr> <tr> <td>2 PLACE</td> <td>± .01</td> <td>± 0.13</td> </tr> <tr> <td>1 PLACE</td> <td>± ---</td> <td>± 0.25</td> </tr> </tbody> </table> | | | INCH | METRIC | 3 PLACE | ± .005 | ± --- | 2 PLACE | ± .01 | ± 0.13 | 1 PLACE | ± --- | ± 0.25 | <table border="1"> <tr> <td>ETC INC. PINELLAS PARK, FLA. 33781 U.S.A.</td> <td>SHEET NO. 1 OF 1</td> <td>DATE 01/02/02</td> </tr> </table> | | ETC INC. PINELLAS PARK, FLA. 33781 U.S.A. | SHEET NO. 1 OF 1 | DATE 01/02/02 |
| | INCH | METRIC | | | | | | | | | | | | | | | | |
| 3 PLACE | ± .005 | ± --- | | | | | | | | | | | | | | | | |
| 2 PLACE | ± .01 | ± 0.13 | | | | | | | | | | | | | | | | |
| 1 PLACE | ± --- | ± 0.25 | | | | | | | | | | | | | | | | |
| ETC INC. PINELLAS PARK, FLA. 33781 U.S.A. | SHEET NO. 1 OF 1 | DATE 01/02/02 | | | | | | | | | | | | | | | | |
| DRAFT WHERE APPLICABLE MUST REMAIN WITHIN DIMENSIONS | | PART NO. SEE CHART | | | | | | | | | | | | | | | | |
| DRWG. BY EDB | CHK'D. BY HEB | DRAWG. NO. SD-19067-005 | | | | | | | | | | | | | | | | |
| APP'D. BY RWD | SCALE NO:NE | FILE NAME SD19067005 DGN | | | | | | | | | | | | | | | | |
| THIS DRAWING CONTAINS INFORMATION THAT IS PROPRIETARY TO MOLEX-ETC INC. AND SHOULD NOT BE USED WITHOUT WRITTEN PERMISSION | | DIV. ET | SIZE B | | | | | | | | | | | | | | | |

10 9 8 7 6 5 4 3 2 1