

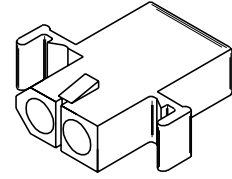
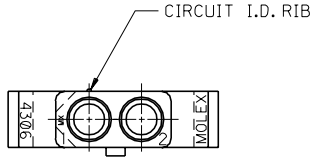
Excellent Integrated System Limited

Stocking Distributor

Click to view price, real time Inventory, Delivery & Lifecycle Information:

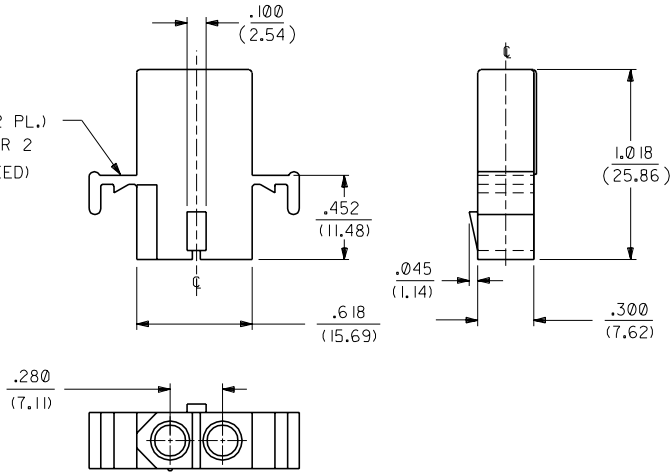
[Molex Connector Corporation](#)
[0003122121](#)

For any questions, you can email us directly:
sales@integrated-circuit.com



4306-R RECEPTACLE HOUSING

MOUNTING EAR (2 PL.)
SEE DETAIL 1 OR 2
(WHEN SPECIFIED)



DIMENSIONS SHOWN (METRIC) INCH

UNLESS OTHERWISE SPECIFIED

TOLERANCES: ANGULAR ± 1/2°

	INCH	METRIC
3 PLACE	± .010	---
2 PLACE	± .014	± 0.25
1 PLACE	---	± 0.35

DRAFT WHERE APPLICABLE MUST REMAIN WITHIN DIMENSIONS

∇ = 0 ▼ = 0 REVISE ONLY ON CAD SYSTEM

TITLE
HOUSING, 2 CIRCUIT
PLUG AND RECEPTACLE
.125/(3.18) DIA.

PART NO. MOLEX INCORPORATED SHEET NO. DATE
LISLE, ILL. 68532 U.S.A. 2 6/4/87

SEE CHART DRWG. NO. SD-4306-*

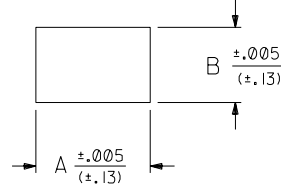
FILE NAME SD4306X2 DGN THIS DRAWING CONTAINS INFORMATION THAT IS PROPRIETARY TO MOLEX INC. AND SHOULD NOT BE USED WITHOUT WRITTEN PERMISSION. DIV. SIZE CP B

LTR.	REVISIONS	LTR.	REVISIONS

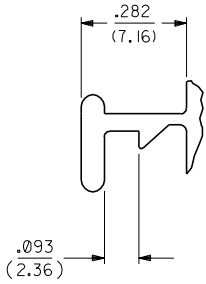
DRWG. BY GEP CHK'D. BY RW
APP'D. BY RAS SCALE 2 : 1

PLUG		
PART NO.	ENG. NO.	DESCRIPTION
03-12-2021	4306-P	PLUG WITH STANDARD EARS (DETAIL 1)
03-12-2022	4306-PI	PLUG W/O EARS
03-12-2023	4306-PB	PLUG W/PREBENT EARS (DETAIL 2)

RECEPTACLE		
PART NO.	ENG. NO.	DESCRIPTION
03-12-1021	4306-R	RECEPTACLE WITH STANDARD EARS (DETAIL 1)
03-12-1022	4306-RI	RECEPTACLE W/O EARS
03-12-1023	4306-RB	RECEPTACLE W/PREBENT EARS (DETAIL 2)



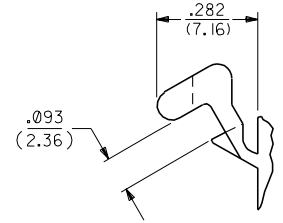
MOUNTING PANEL OPENING		
HOUSING	DIM. "A"	DIM. "B"
PLUG	.878/(22.30)	.432/(10.97)
RECEPTACLE	.778/(19.76)	.375/(9.53)



DETAIL 1
STANDARD MOUNTING EAR
SCALE 4:1

NOTES:

1. MATERIAL: NYLON TYPE 6/6, 94V-2, NATURAL.
2. FOR USE WITH $.125$ /(3.18) DIA. SERIES TERMINALS.
3. MAXIMUM PANEL THICKNESS $.090$ /(2.29).



DETAIL 2
PREBENT MOUNTING EAR
SCALE 4:1

				DIMENSIONS SHOWN (METRIC) INCH		UNLESS OTHERWISE SPECIFIED TOLERANCES: ANGULAR $\pm 1/2^\circ$		REVISIONS ONLY ON CAD SYSTEM	
				INCH		METRIC		TITLE	
				3 PLACE	$\pm .010$	---		HOUSING, 2 CIRCUIT PLUG AND RECEPTACLE	
				2 PLACE	$\pm .014$	± 0.25		.125/(3.18) DIA.	
				1 PLACE	---	± 0.35		MOLEX INCORPORATED	
				DRAFT WHERE APPLICABLE MUST REMAIN WITHIN DIMENSIONS				LISLE, ILL. 60532 U.S.A.	
				PART NO. SD4306X3 DGN		SHEET NO. 3		DATE 6/5/87	
				DRAWN BY GEP		CHK'D BY RW		SEE CHART	
				APP'D BY RAS		SCALE 2:1		SD-4306-*	
				LTR. REVISIONS		LTR. REVISIONS		DIV. CP	
								SIZE B	