

Excellent Integrated System Limited

Stocking Distributor

Click to view price, real time Inventory, Delivery & Lifecycle Information:

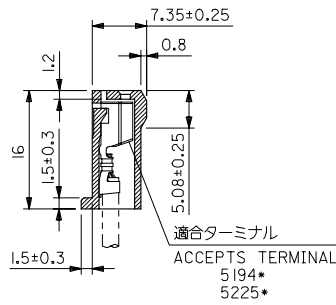
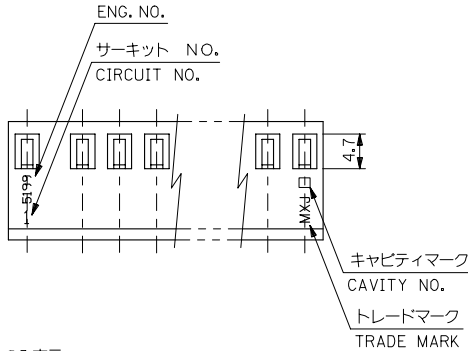
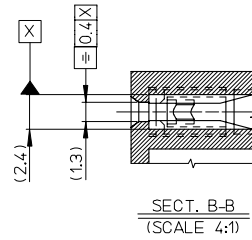
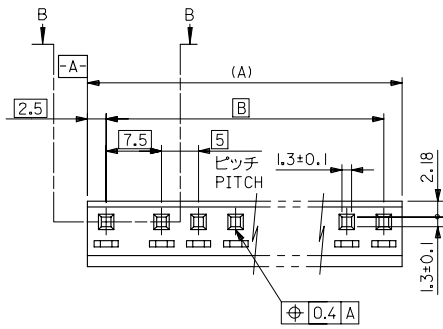
[Molex Connector Corporation](#)

[0010633054](#)

For any questions, you can email us directly:

sales@integrated-circuit.com

10 9 8 7 6 5 4 3 2 1



注) NOTE.

1. 各部のそりは0.5最大 WARPING:0.5MAX.
2. サーキットNO. はNO. * 1* のみ表示 CIRCUIT NO. : *1* ONLY

10-63-3064	5199-06	27.5	32.5	6
▲ -3054	▲ -05	22.5	27.5	5
▲ -3044	▲ -04	17.5	22.5	4
▼ -3034	▼ -03	12.5	17.5	3
10-63-3024	5199-02	7.5	12.5	2
EDP.NO.	ENG.NO.	B	(A)	種数 CKT.

REVISED EC NO.: J2007-3407 DRAWN: KON CHIKUMI SOGAYA APPR: THARYAMA 2007/06/20 2007/06/25 2007/06/25	GENERAL TOLERANCES (UNLESS SPECIFIED)		DIMENSION STYLE MM ONLY	SCALE 2:1	DESIGN UNITS METRIC	THIRD ANGLE PROJECTION
	10 UNDER	±0.2	DRAWN BY K. KOHAMA	DATE 2000/03/28	TITLE SPOX 5/7.5 PITCH REC HSG	
	10 OVER 30 UNDER	±0.25	CHECKED BY T. YAMAGUCHI	DATE 2000/03/30	MOLEX INCORPORATED	
	30 OVER	±0.3	APPROVED BY M. FUKUSHIMA	DATE 2000/03/30	DOCUMENT NO. SD-5199-001	SHEET NO. 1 OF 1
REV J	DESCRIPTION ANGULAR ±3° DRAFT WHERE APPLICABLE MUST REMAIN WITHIN DIMENSIONS	MATERIAL NO. SEE TABLE	THIS DRAWING CONTAINS INFORMATION THAT IS PROPRIETARY TO MOLEX INCORPORATED AND SHOULD NOT BE USED WITHOUT WRITTEN PERMISSION			