

## **Excellent Integrated System Limited**

Stocking Distributor

Click to view price, real time Inventory, Delivery & Lifecycle Information:

[Molex Connector Corporation](#)  
[0351500292](#)

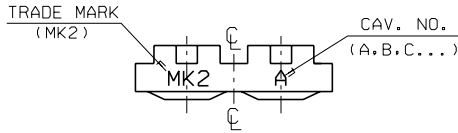
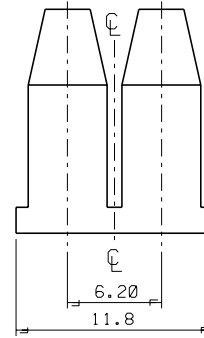
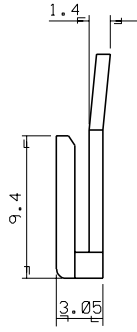
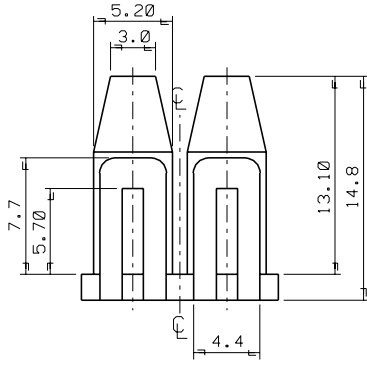
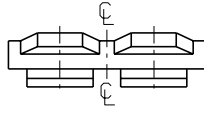
For any questions, you can email us directly:  
[sales@integrated-circuit.com](mailto:sales@integrated-circuit.com)

ENG. NO.  
SD 35150-029\*

EDP NO.

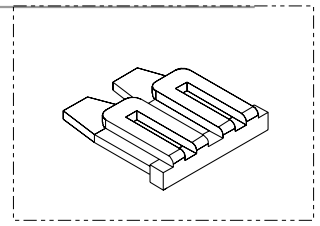
SIMILAR ITEM

PROJECT NO.  
.070 W/W CONN'



NOTES

- MATERIAL : NYLON 66 (UL94V-2)
- COLOR : 35150-0290 (NATURAL)  
35150-0292 (RED)  
35150-0293 (YELLOW)  
35150-0294 (BLUE)
- MATCHED HOUSING : 35150-020\*/021\*  
35151-021\*  
35150-040\*/041\*  
35151-041\*



			MATERIAL	SEE NOTES	MOLEX-KOREA CO.,LTD.	
			GENERAL TOLERANCE	DIMENSION : *0.3		
			ANGLE :	*1°	APP'D BY	SCALE
			DIMENSION CLASSIFICATION		SCALE 4/1	
			∇ : CRITICAL ( ) : REFERENCE		TITLE :	
A	NEW RELEASED	95	ASS'Y PART		6.2 PITCH W/W CONN'	
LTR	REVISION RECORD	ECN	DATE	DESCRIPTION	ENG. NO.	T.P.A - 2P
			REVISE ONLY ON CAD SYSTEM		SHEET 1 OF 1	
					REV A	

THIS DRAWING CONTAINS INFORMATION THAT IS PROPRIETARY TO MOLEX(KOREA) AND SHOULD NOT BE USED WITHOUT WRITTEN PERMISSION MX-A3(ANSI:290,420)