



Distributor of Molex Connector Corporation: Excellent Integrated System Limited

Datasheet of 0197054301 - Connector Quick Connect Tab 0.250" (6.35mm) Solder

Contact us: sales@integrated-circuit.com Website: www.integrated-circuit.com

Excellent Integrated System Limited

Stocking Distributor

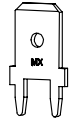
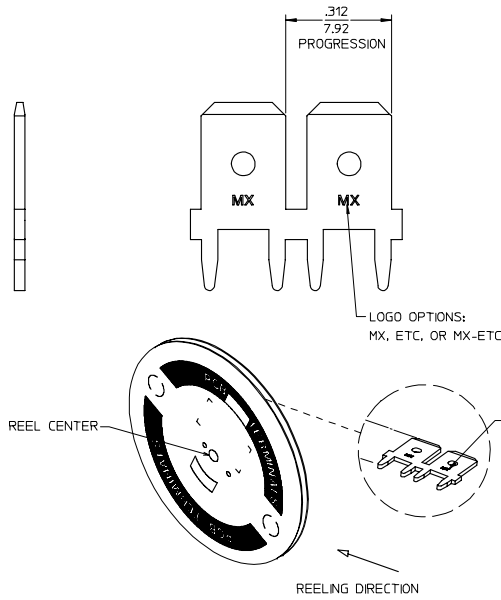
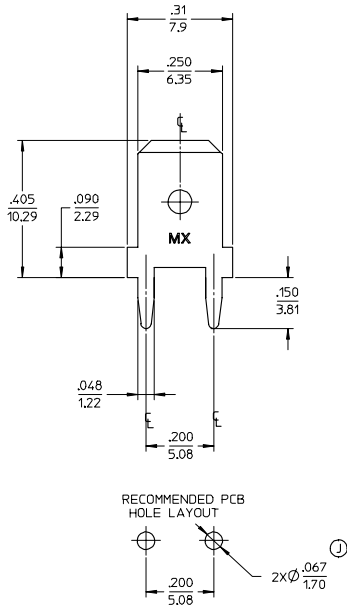
Click to view price, real time Inventory, Delivery & Lifecycle Information:

[Molex Connector Corporation](#)
[0197054301](#)

For any questions, you can email us directly:

sales@integrated-circuit.com

MATERIAL NUMBER	ENGINEERING NUMBER	CARRIER	LOGO ORIENTATION
197054303	19705-4303	STRIP	IN
197054305	19705-4305	STRIP	OUT
197054301	19705-4301	LOOSE	-



SCALE 3:1

NOTES:

1. BARE EDGES PERMISSIBLE AT CARRIER CUT OFF.
2. MATERIAL: BRASS (C26000 (.032/0.81) THICK.
3. TAB CONFORMS TO NEMA SPECIFICATIONS.
4. ALL DIMENSIONS AND NOTES REFERENCE UNLESS OTHERWISE NOTED.
5. PLATING: MATTE TIN 150µIN/3.814mm MINIMUM THICKNESS OVER NICKEL 50µIN/1.254mm MINIMUM THICKNESS.
6. REF: 9,000 MINIMUM PARTS PER REEL. REEL HAS 14" DIAMETER REEL WITH A 1.25" DIAMETER CENTER HOLE.
7. PART IS ROHS COMPLIANT.

REVISED PCB HOLE DIA EC NO: ET/2007-0403 DRAWN BY: 2007/05/14 CHKD: JACONE IL APPR: JACONE IL 2007/05/15	QUALITY SYMBOLS ▽=0 ▽=0	GENERAL TOLERANCES (UNLESS SPECIFIED)		DIMENSION STYLE IN/MM	SCALE 5:1	DESIGN UNITS INCH	THIRD ANGLE PROJECTION	
		4 PLACES ±.005 ±.005	DRAWN BY EDB	DATE 11/08/96	TITLE QUICK DISCONNECT PCB MOUNTABLE .250 X .032 TAB			
		3 PLACES ±.013 ±.01	CHECKED BY JH	DATE 11/08/96	APPROVED BY RWD			
		2 PLACES ±0.25 ±.01	APPROVED BY RWD		DATE 11/08/96	MATERIAL NO. SEE CHART		
DRAFT WHERE APPLICABLE MUST REMAIN WITHIN DIMENSIONS		ANGULAR ±1/2°		MOLEX INCORPORATED		DOCUMENT NO. SD-19705-430		
SIZE C				THIS DRAWING CONTAINS INFORMATION THAT IS PROPRIETARY TO MOLEX INCORPORATED AND SHOULD NOT BE USED WITHOUT WRITTEN PERMISSION				SHEET NO. 1 OF 1