



**Distributor of Molex Connector Corporation: Excellent Integrated System Limited**  
Datasheet of 0836119023 - D-Sub Connector Plug, Male Pins 9 Position Through Hole Solder

Contact us: [sales@integrated-circuit.com](mailto:sales@integrated-circuit.com) Website: [www.integrated-circuit.com](http://www.integrated-circuit.com)

---

## **Excellent Integrated System Limited**

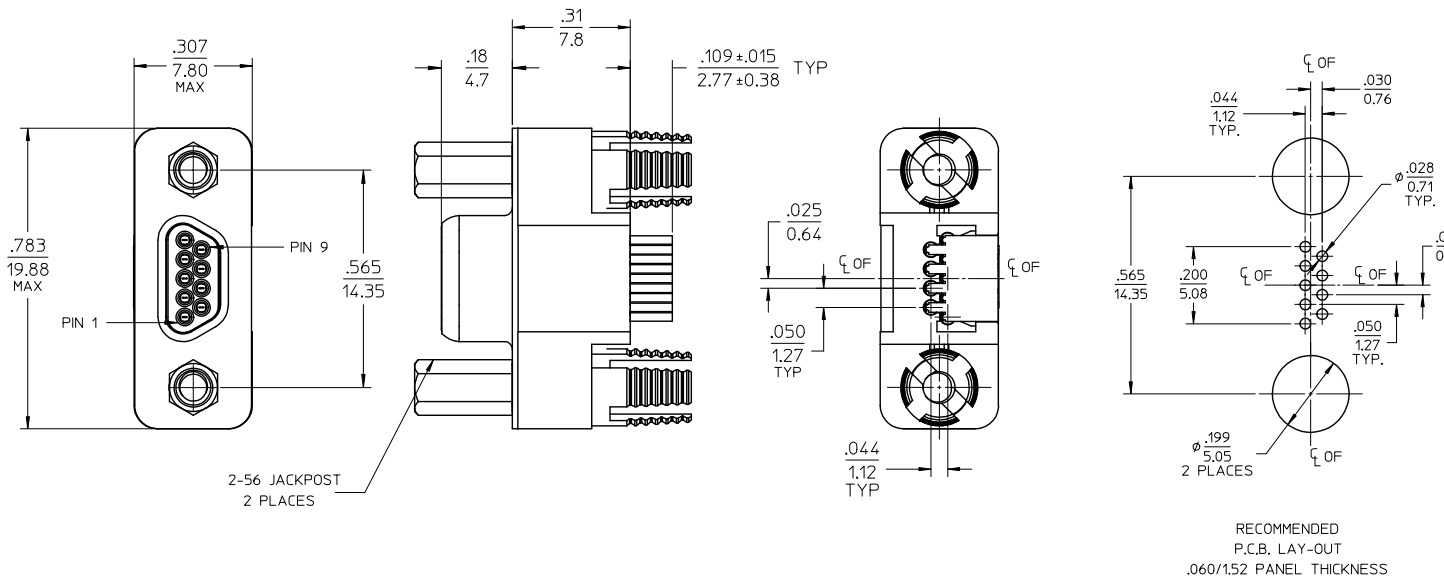
Stocking Distributor

Click to view price, real time Inventory, Delivery & Lifecycle Information:

[Molex Connector Corporation](#)  
[0836119023](#)

For any questions, you can email us directly:

[sales@integrated-circuit.com](mailto:sales@integrated-circuit.com)



2. RoHS COMPLIANT  
 1. REFER TO PS-83421-9000 FOR PRODUCT SPECIFICATION.  
 NOTES: UNLESS OTHERWISE SPECIFIED.

UPDATED JACKPOSTS EC NO: IPG2014-1899 CHKD: HDPWARGARDEN APPR: BINGODDMAN 2014/08/11 2014/08/21	QUALITY SYMBOLS	GENERAL TOLERANCES (UNLESS SPECIFIED)	DIMENSION STYLE	SCALE	DESIGN UNITS	THIRD ANGLE PROJECTION																																				
	$\nabla=0$ $\nabla=0$	<table border="1"> <thead> <tr> <th></th> <th>mm</th> <th>INCH</th> </tr> </thead> <tbody> <tr> <td>4 PLACES</td> <td>±---</td> <td>±---</td> </tr> <tr> <td>3 PLACES</td> <td>±---</td> <td>±.005</td> </tr> <tr> <td>2 PLACES</td> <td>±0.13</td> <td>±.010</td> </tr> <tr> <td>1 PLACE</td> <td>±0.25</td> <td>±---</td> </tr> <tr> <td colspan="3">ANGULAR ± 2°</td> </tr> </tbody> </table>		mm	INCH	4 PLACES	±---	±---	3 PLACES	±---	±.005	2 PLACES	±0.13	±.010	1 PLACE	±0.25	±---	ANGULAR ± 2°			<table border="1"> <thead> <tr> <th>DRAWN BY</th> <th>DATE</th> <th>TITLE</th> </tr> </thead> <tbody> <tr> <td>D. URBACH</td> <td>14 JUNE 00</td> <td>CONN, PLUG, VERT COMM-D, SIZE 9</td> </tr> <tr> <td>CHECKED BY</td> <td>DATE</td> <td></td> </tr> <tr> <td>AW</td> <td>20 JUL 00</td> <td></td> </tr> <tr> <td>APPROVED BY</td> <td>DATE</td> <td></td> </tr> <tr> <td>JFMURPHY</td> <td>2009/10/23</td> <td></td> </tr> </tbody> </table>	DRAWN BY	DATE	TITLE	D. URBACH	14 JUNE 00	CONN, PLUG, VERT COMM-D, SIZE 9	CHECKED BY	DATE		AW	20 JUL 00		APPROVED BY	DATE		JFMURPHY	2009/10/23		4:1	INCH	
		mm	INCH																																							
	4 PLACES	±---	±---																																							
3 PLACES	±---	±.005																																								
2 PLACES	±0.13	±.010																																								
1 PLACE	±0.25	±---																																								
ANGULAR ± 2°																																										
DRAWN BY	DATE	TITLE																																								
D. URBACH	14 JUNE 00	CONN, PLUG, VERT COMM-D, SIZE 9																																								
CHECKED BY	DATE																																									
AW	20 JUL 00																																									
APPROVED BY	DATE																																									
JFMURPHY	2009/10/23																																									
		DRAFT WHERE APPLICABLE MUST REMAIN WITHIN DIMENSIONS	MATERIAL NO.	DOCUMENT NO.	MOLEX INCORPORATED																																					
			836119023	SD-83611-9023	SHEET NO. 1 OF 1																																					